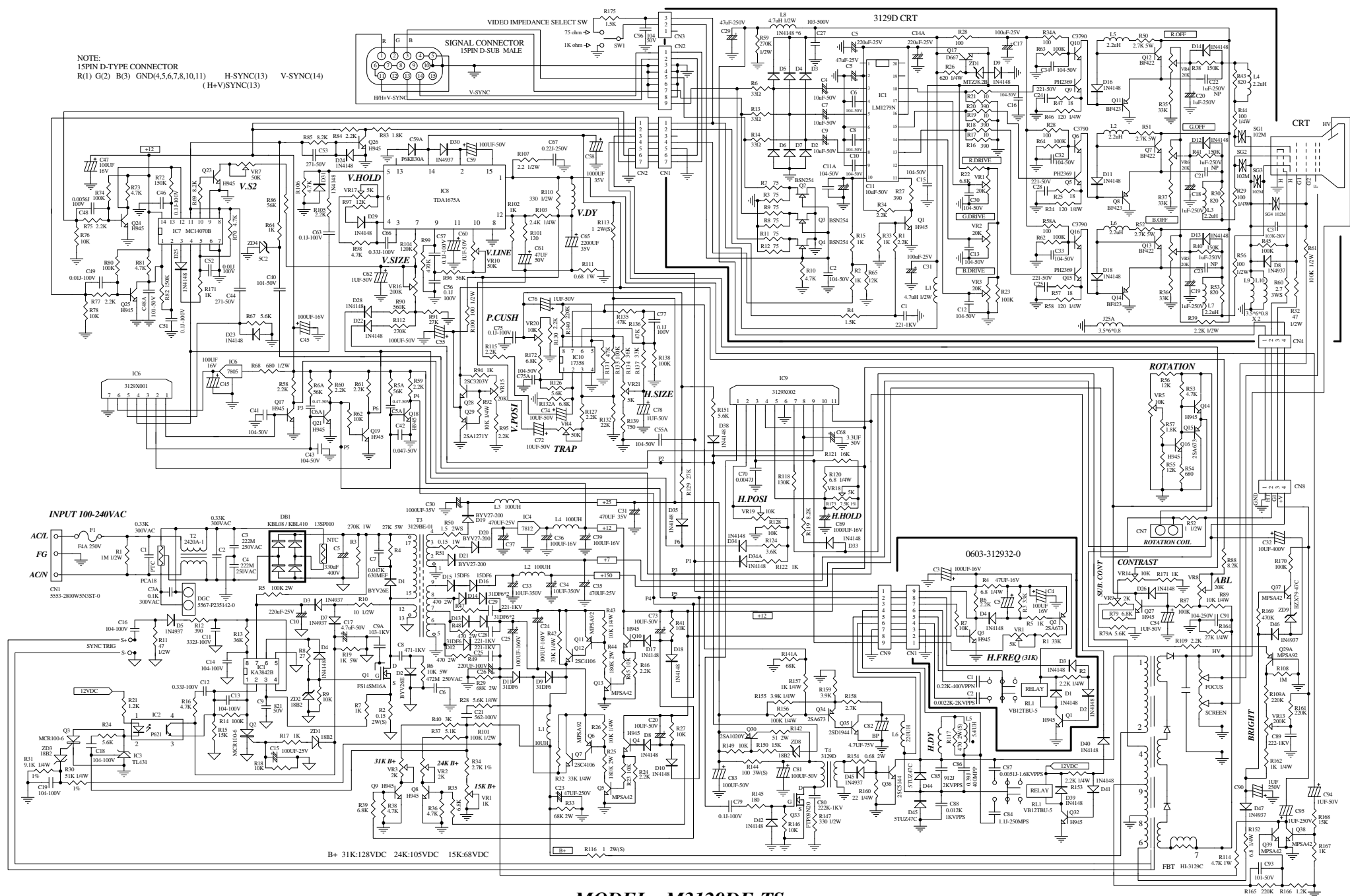
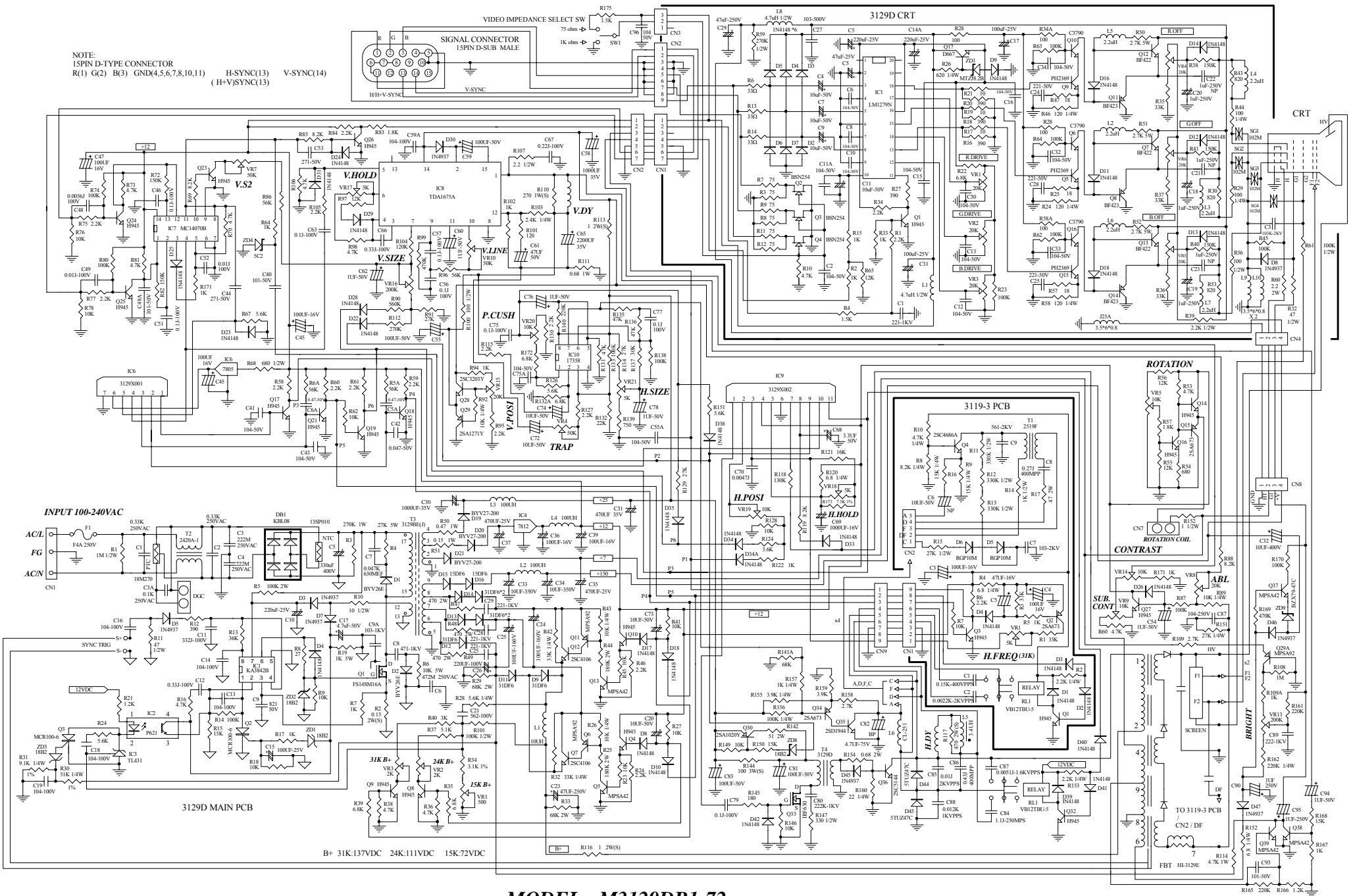


NOTE:  
 15PIN D-TYPE CONNECTOR  
 R(1) G(2) B(3) GND(4,5,6,7,8,10,11) H-SYNC(13) V-SYNC(14)  
 (H+V)SYNC(13)  
 (H+V)SYNC(13)



MODEL : M3129DF-TS  
 HUIAI ELECTRONICS CO., LTD.

NOTE:  
 15PIN D-TYPE CONNECTOR  
 (R1) (G2) (B3) GND(4,5,6,7,8,10,11) H-SYNC(13) V-SYNC(14)  
 (H+V)SYNC(13)



MODEL : M3129DB1-72

1

2

3

4

D

D

C

C

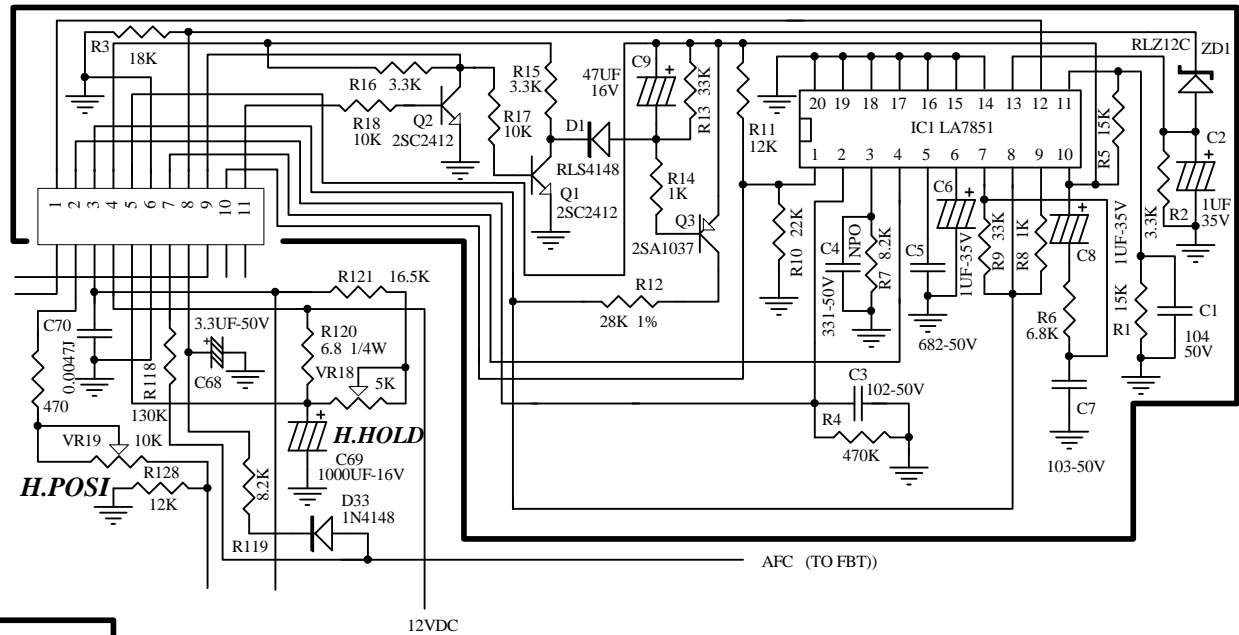
B

B

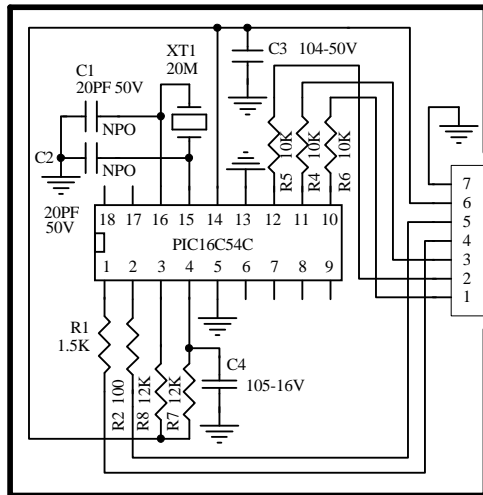
A

A

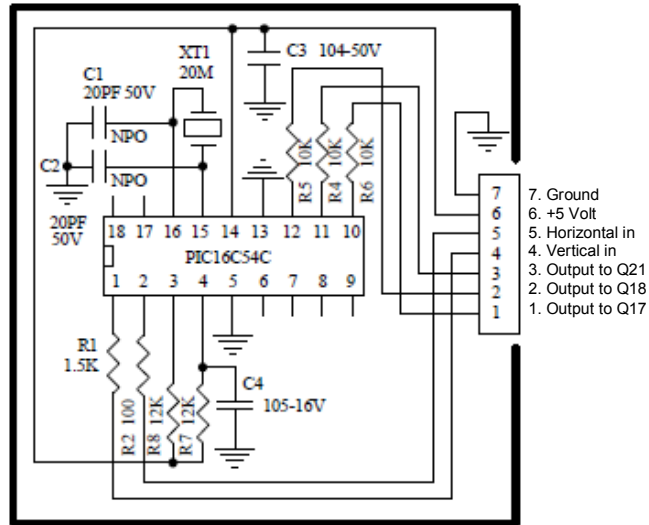
IC9  
3129X002



IC5  
3129X001



# Makvision 3125 & 3129 Resolution and B+ Select IC6 3129X001



**Truth Table 3129X001**

Resolution	Pin 1	Pin2	Pin3
<b>CGA</b>	<b>0</b>	<b>1</b>	<b>1</b>
<b>EGA</b>	<b>1</b>	<b>1</b>	<b>0</b>
<b>VGA</b>	<b>1</b>	<b>0</b>	<b>1</b>
	To Q17	To Q18	To Q21

Resolution	P1	P2	Q17/P3	Q18/P4	Q21/P5	Q19/P6
<b>CGA</b>	<b>1</b>	<b>0</b>	<b>1</b>	<b>0</b>	<b>0</b>	<b>1</b>
<b>EGA</b>	<b>1</b>	<b>1</b>	<b>0</b>	<b>0</b>	<b>1</b>	<b>0</b>
<b>VGA</b>	<b>0</b>	<b>1</b>	<b>0</b>	<b>1</b>	<b>0</b>	<b>1</b>
	To D34A Invert of P4	To D22, D38 Invert of P3	P3=1 Relay1 CGA On chassis		P5=1 Relay1 EGA	To D28 & D34 D35

**P3=1 CGA B+ voltage=72v.**  
**P5=1 EGA B+ voltage=110v.**  
**P4=1 VGA B+ voltage=137v.**