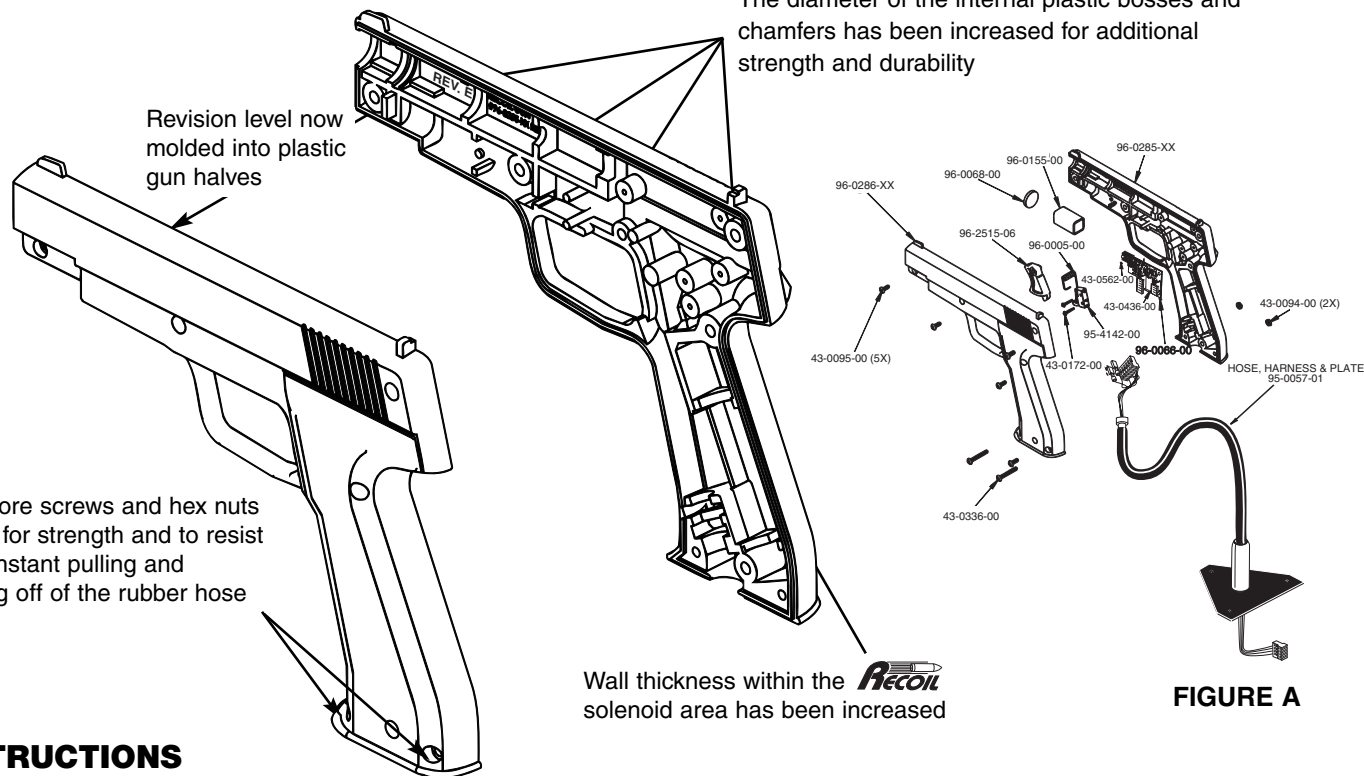


HAPP CONTROLS

Optical Gun Halves Update Kit Part Number 96-0405-XXK & 96-2600GK-XX

The diameter of the internal plastic bosses and chamfers has been increased for additional strength and durability



INSTRUCTIONS

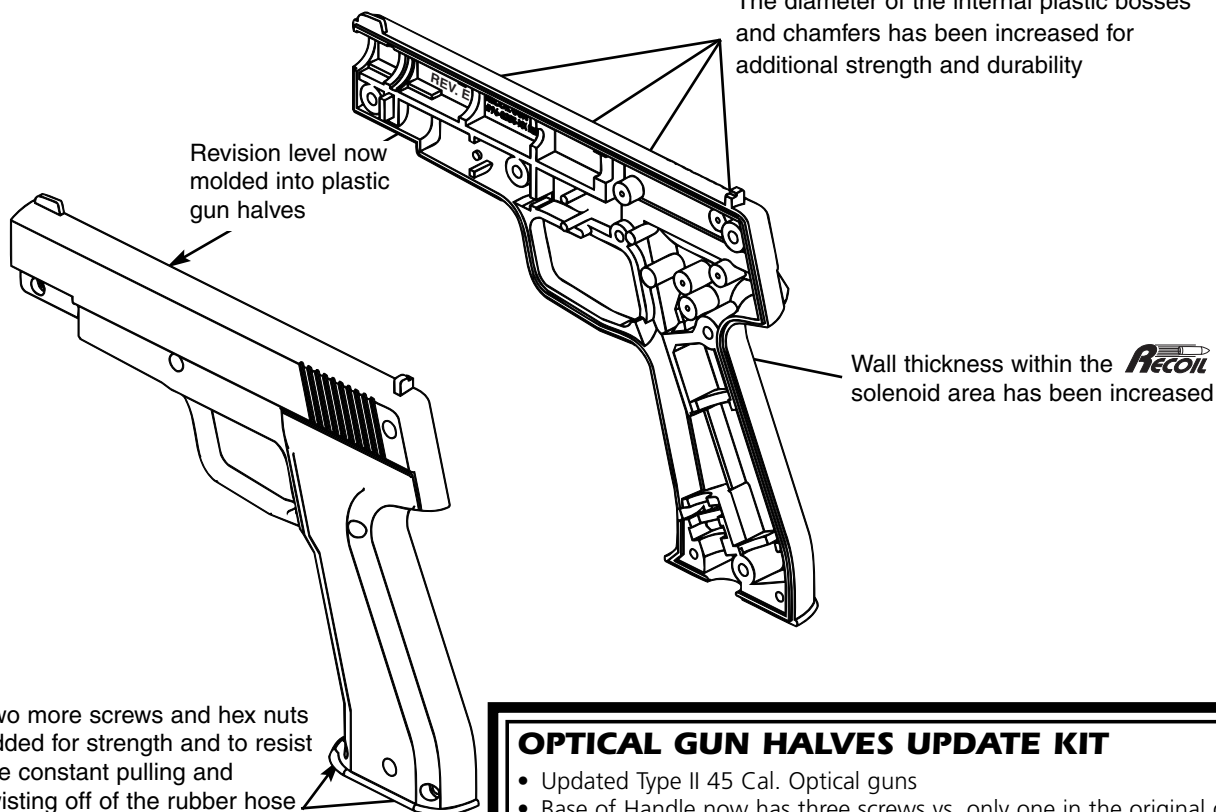
1. Remove the five T-10 torx screws from the optic gun
2. Separate the left half from the right half of the optic gun.
3. Remove the trigger and the spring from the assembly.
4. Remove the lens from the front portion of the optic gun. Be careful not to scratch the lens.
5. Remove the gray optic shield from the gun assembly.
6. Remove the two screws that hold the trigger switch onto the gun.
7. Remove the three screws holding the optic board in place.
8. Carefully lift out the rubber hose with the harness attached to the trigger switch and the optic board (and coil if applies).
9. Now place the new right optic gun half on a flat surface so that the inside of the gun is exposed.
10. Start by replacing the lens in the front part of the gun into the retaining slot.
11. Replace the optic shield into the fourth chamber of the barrow, from left to right of the gun.
12. Insert the hose and harness assembly into the new gun half making sure that the groove on the hose fitting fits into the upper most rib on the lower part of the gun.
13. Route the wires up the handle of the gun. Then through the center of the two screw bosses for the trigger. (See Fig. A)
14. Fasten the optic board down using the three screws removed earlier.
15. Fasten the trigger switch down using the two screws removed earlier. Be careful not to pinch the wires in between the two screw bosses.
16. If the gun was supplied with a feedback coil, reinsert the coil into the coil chamber with the spring at the top of the coil.
17. Reinsert the trigger spring over the spring post, and over the wires from coming from the hose assembly.
18. Reinstall the trigger in front of the trigger spring.
19. Place the left optic gun half on top of the right gun assembly, making sure not to pinch any wires in between the two gun halves.
20. Refasten the five short screws into the holes with the brass inserts.
21. Insert the two long into the two remaining holes at the lower part of the optic gun. Fasten with two nuts on the opposite side of the gun assembly.

TECHNICAL BULLETIN

New Improvements to HAPP CONTROLS Optical Guns Increase Strength and Reliability

Here is a summary of these improvements:

- We have added two more screws and hex nuts to the bottom of the gun handle. The original design had one screw, the updated version provides three. This change assures more strength to resist breaking in this area due to the constant pulling and twisting of the rubber hose.
- The diameter of the internal plastic bosses and chamfers has been increased for additional strength and durability.
- The plastic wall thickness within the *Recoil* solenoid area has been increased for improved strength.
- The new improved version is identified by Revision "E" or higher. You can find this molded on the inside of the plastic gun halves.



Two more screws and hex nuts added for strength and to resist the constant pulling and twisting off of the rubber hose

To take advantage of these updates order your Optical Gun Halves Kit NOW!!!!
Call 888-BUY-HAPP or
Fax: 800-593-HAPP

happcontrols.com

OPTICAL GUN HALVES UPDATE KIT

- Updated Type II 45 Cal. Optical guns
- Base of Handle now has three screws vs. only one in the original design
- The diameter of the internal bosses and chamfers has been increased for increased strength and durability
- The Wall thickness within the "recoil" solenoid area has been increased for improved strength
- The new improved version is identified by Revision "E" or higher. You can find this molded on the inside of the plastic gun halves
- Will not work with older Type I rubber hoses
- Kit contains the following items
 - Left plastic gun half (Revised Type II) 96-0286-XX
 - Right plastic gun half (Revised Type II) 96-0285-XX
 - Gun handle screws (5) 43-0095-00
 - Gun handle screws (2) 43-0336-00
 - Gun handle nuts (2) 43-0094-00

COLOR CODE XX = Color

10 = Red
 12 = Blue
 13 = Green
 17 = Orange
 20 = Purple
 112 = Baby Blue
 119 = Pink

Part Number

96-0405-XXK Type II Optical Gun Halves Kit

Price per ea.

27.90