

THE GRID



CHAPTER

1 0 0 1 0 0 1 0 0 1 0 0 1 **0 0 1** 0 0 1 0 0 1 0 0
1 0 0 1 0 0 1 0 0 1 0 0 **1 0 0 1** 0 0 1 0 0 1 0 0
1 0 0 1 0 0 1 0 0 1 0 **0 1 0 0 1** 0 0 1 0 0 1 0 0
1 0 0 1 0 0 1 0 0 1 **0** **1 0 0 1** 0 0 1 0 0 1 0 0
1 0 0 1 0 0 1 0 0 **1** **1 0 0 1** 0 0 1 0 0 1 0 0
1 0 0 1 0 0 1 0 **0** 1 0 0 **1 0 0 1** 0 0 1 0 0 1 0 0
1 0 0 1 0 0 1 **0 0** 1 0 0 **1 0 0 1** 0 0 1 0 0 1 0 0
1 0 0 1 0 0 **1 0 0 1 0 0 1 0 0 1 0** 0 1 0 0 1 0 0
1 0 0 1 0 0 1 0 0 1 0 0 **1 0 0 1** 0 0 1 0 0 1 0 0
1 0 0 1 0 0 1 0 0 1 0 0 **1 0 0 1** 0 0 1 0 0 1 0 0
1 0 0 1 0 0 1 0 0 1 0 0 1 0 0 1 0 0 1 0 0 1 0 0

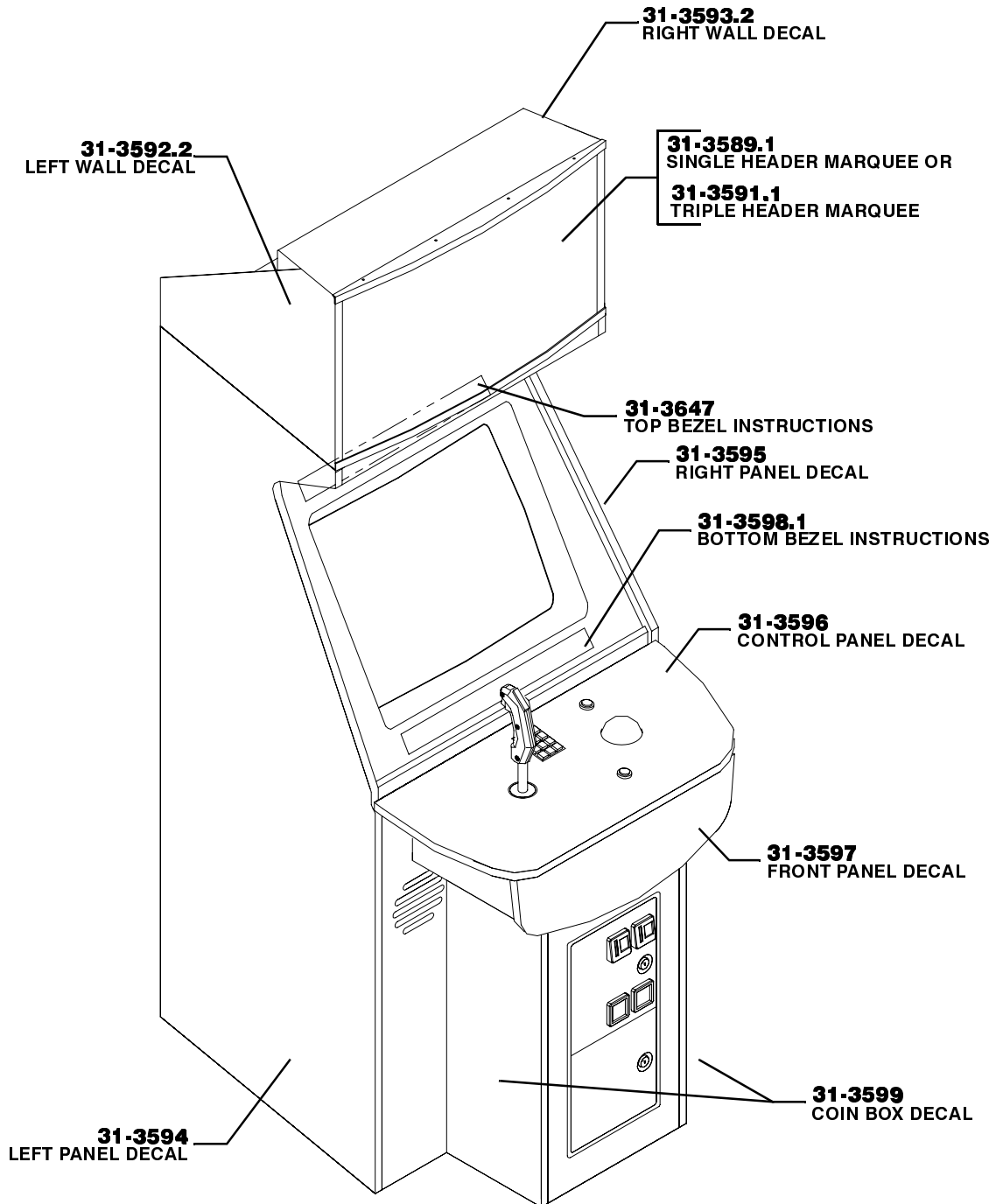
Parts

WARNING

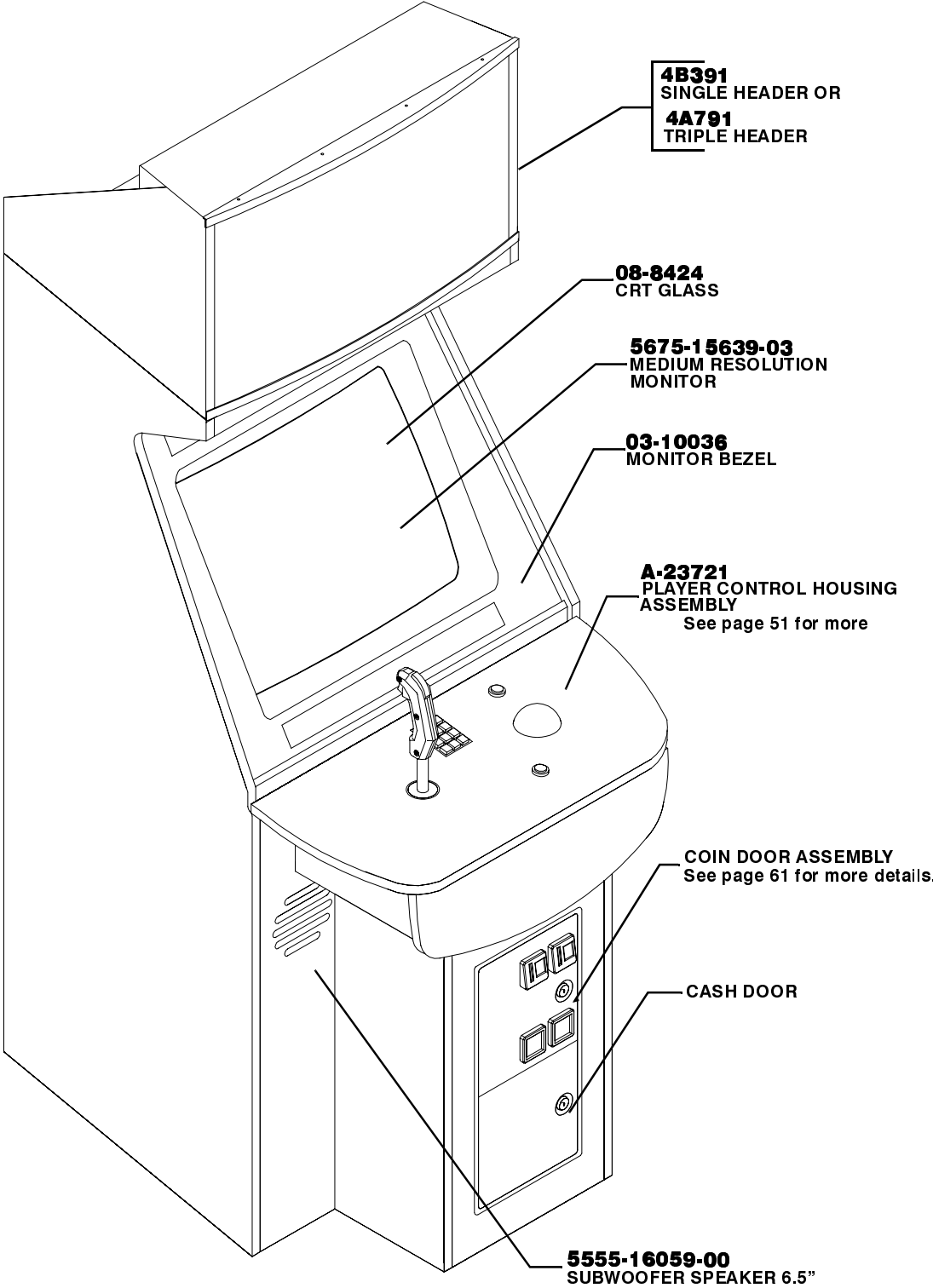
USE OF NON-MIDWAY PARTS OR CIRCUIT MODIFICATIONS MAY CAUSE SERIOUS INJURY OR EQUIPMENT DAMAGE!
USE ONLY MIDWAY AUTHORIZED PARTS.

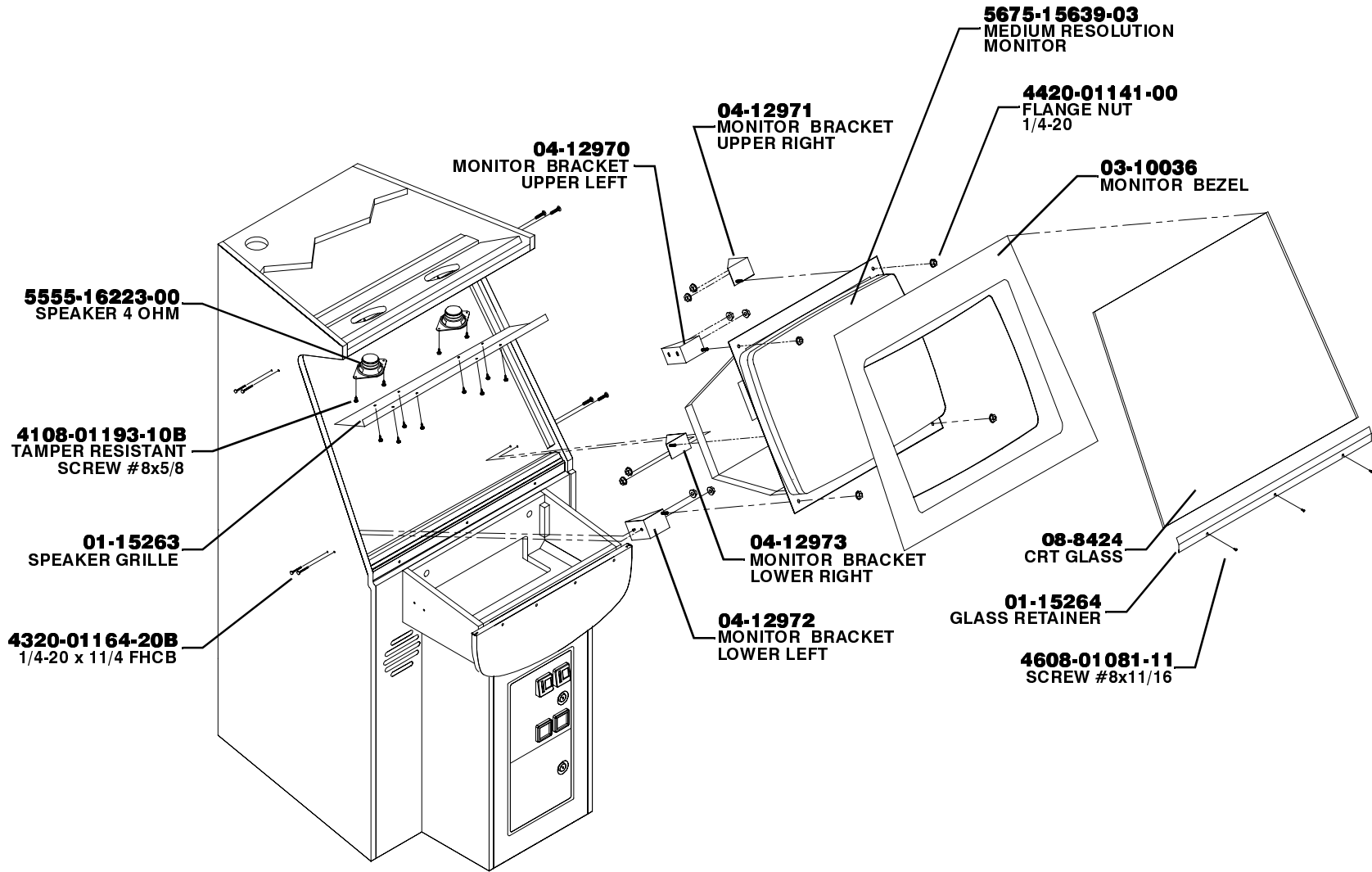
- For safety and reliability, substitute parts and modifications are not recommended.
- Substitute parts or modifications may void EMC directive or FCC type acceptance.

CABINET DECALS



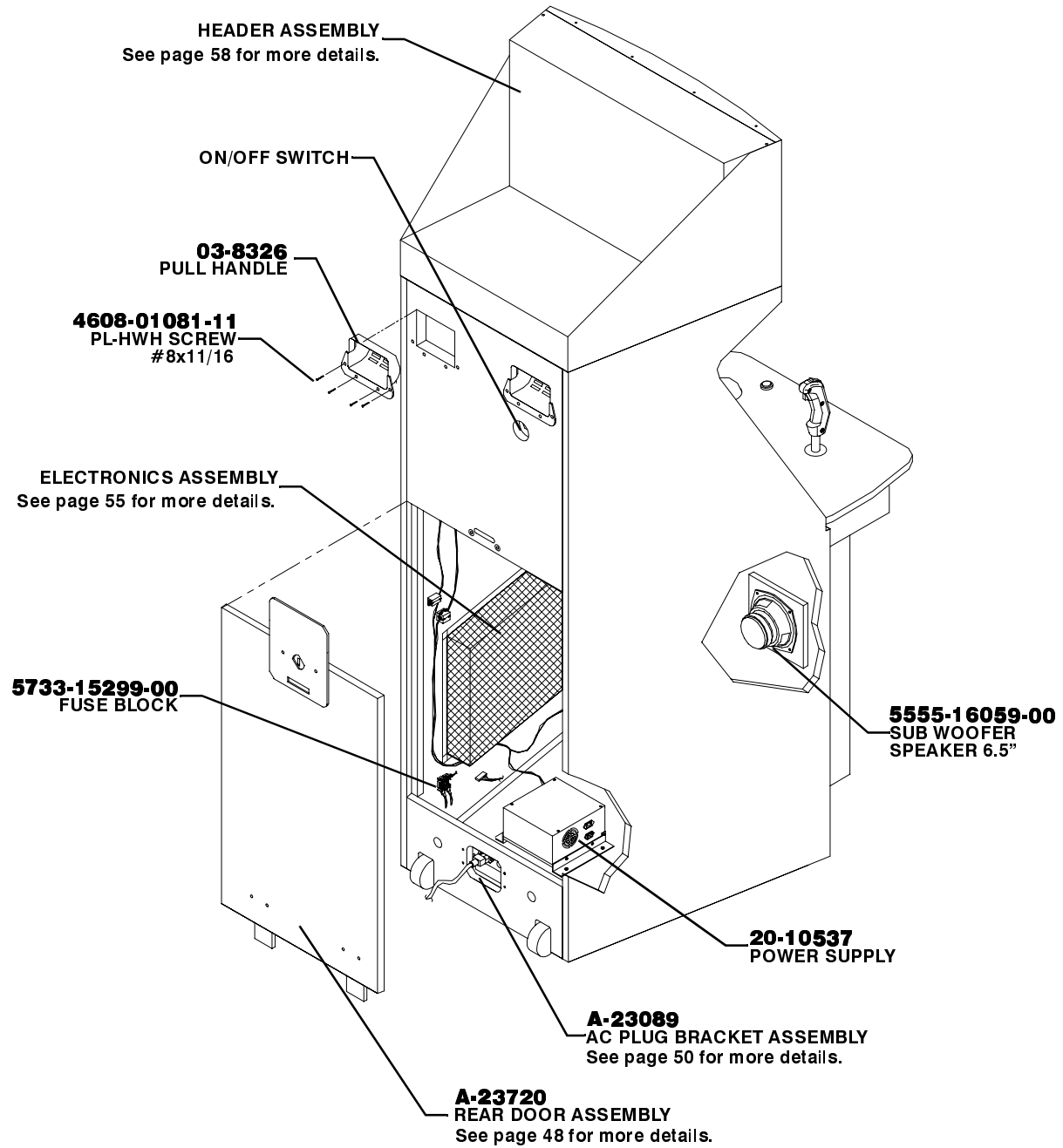
CABINET FRONT VIEW



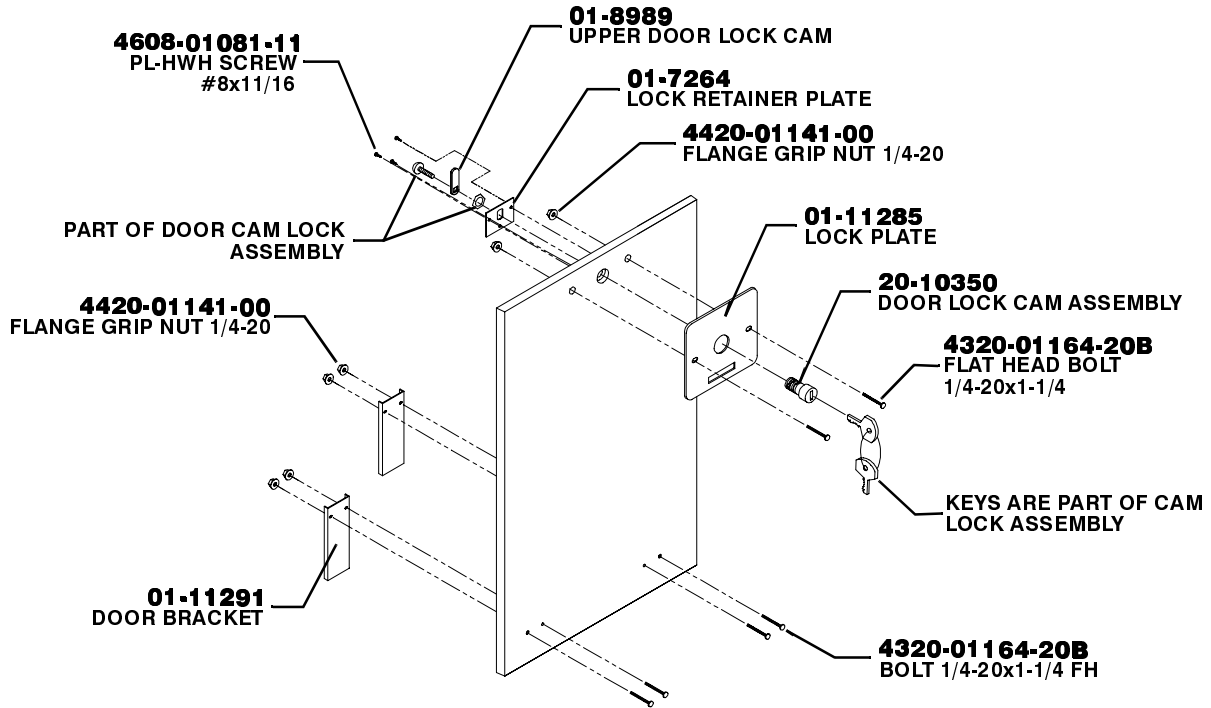


MONITOR MOUNTING

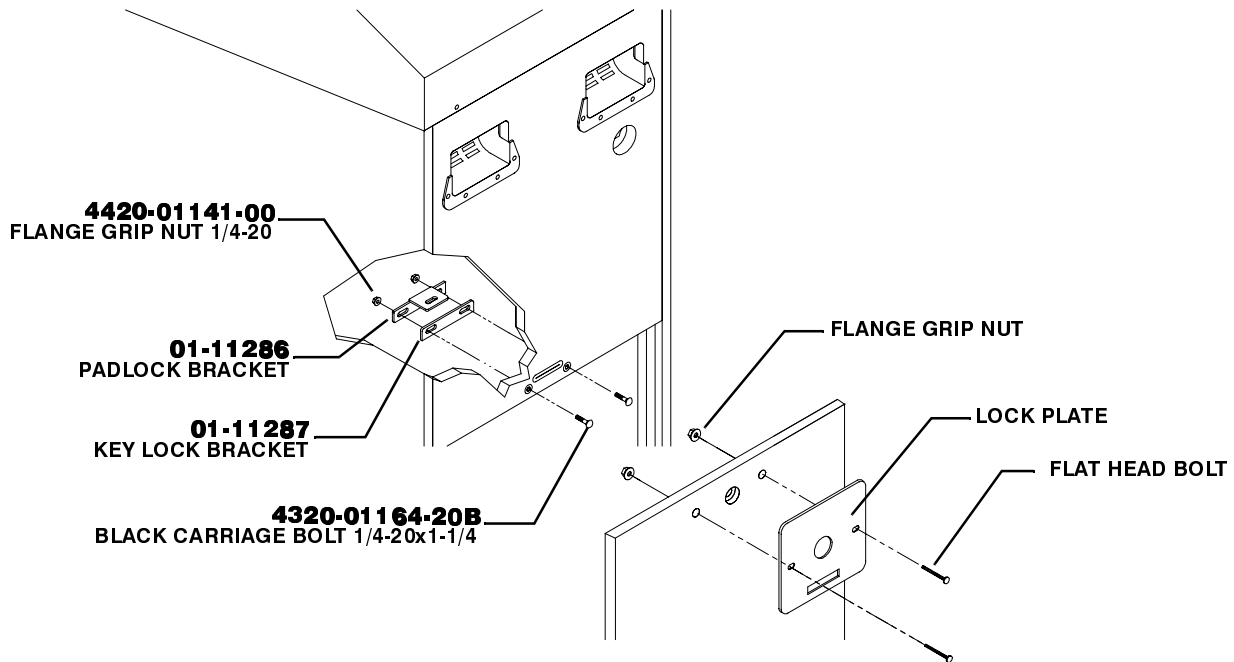
CABINET REAR VIEW



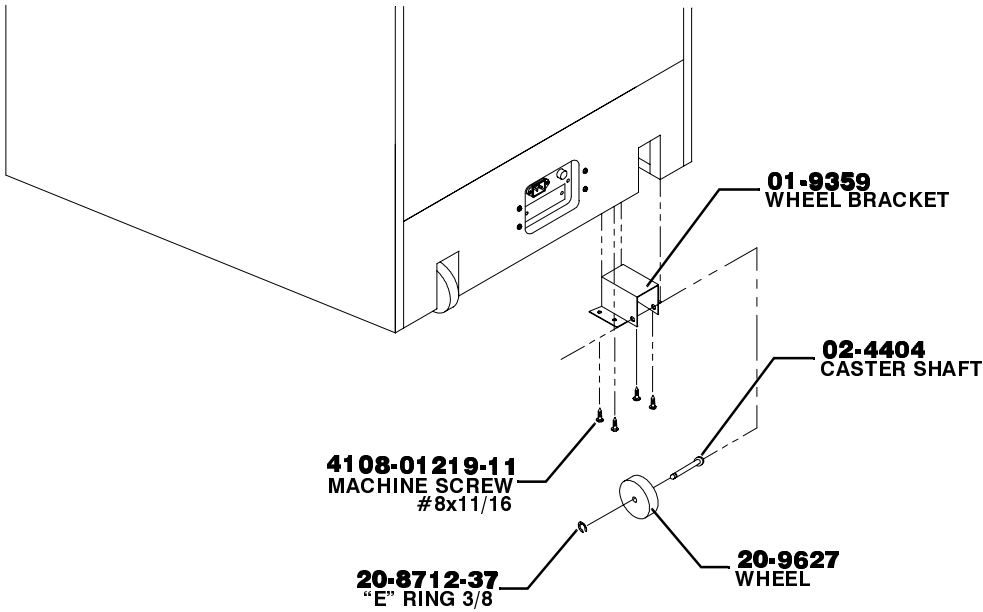
REAR DOOR ASSEMBLY (A-23720)



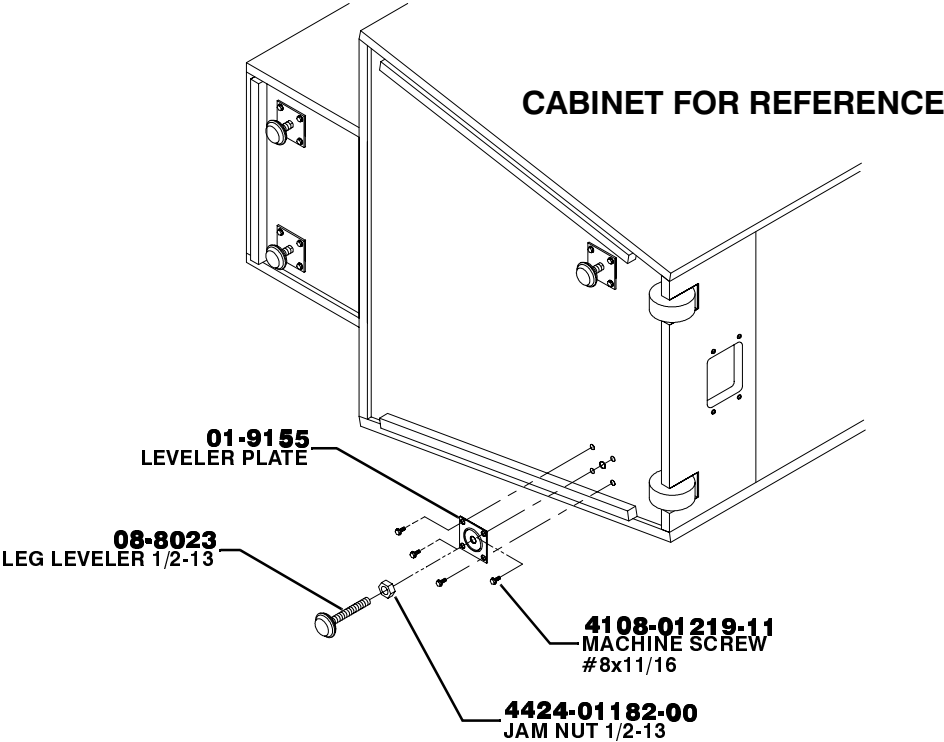
REAR DOOR LOCK ASSEMBLY



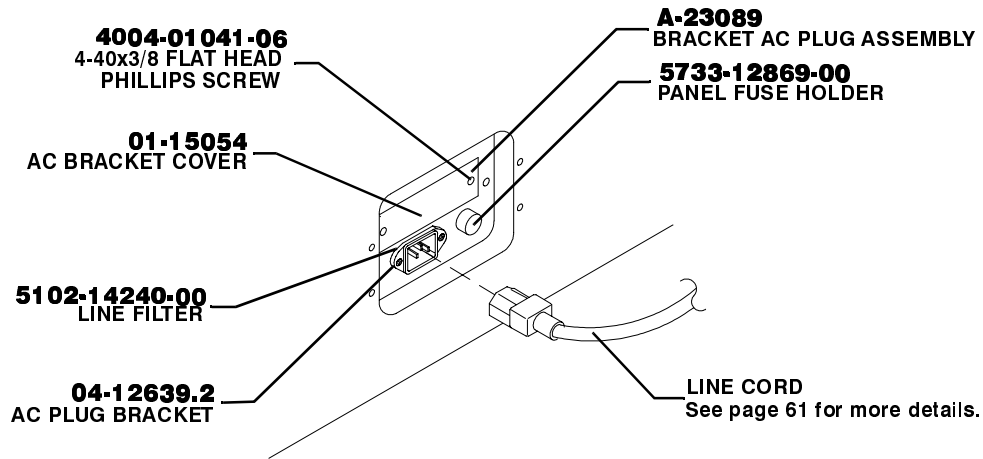
CASTERS



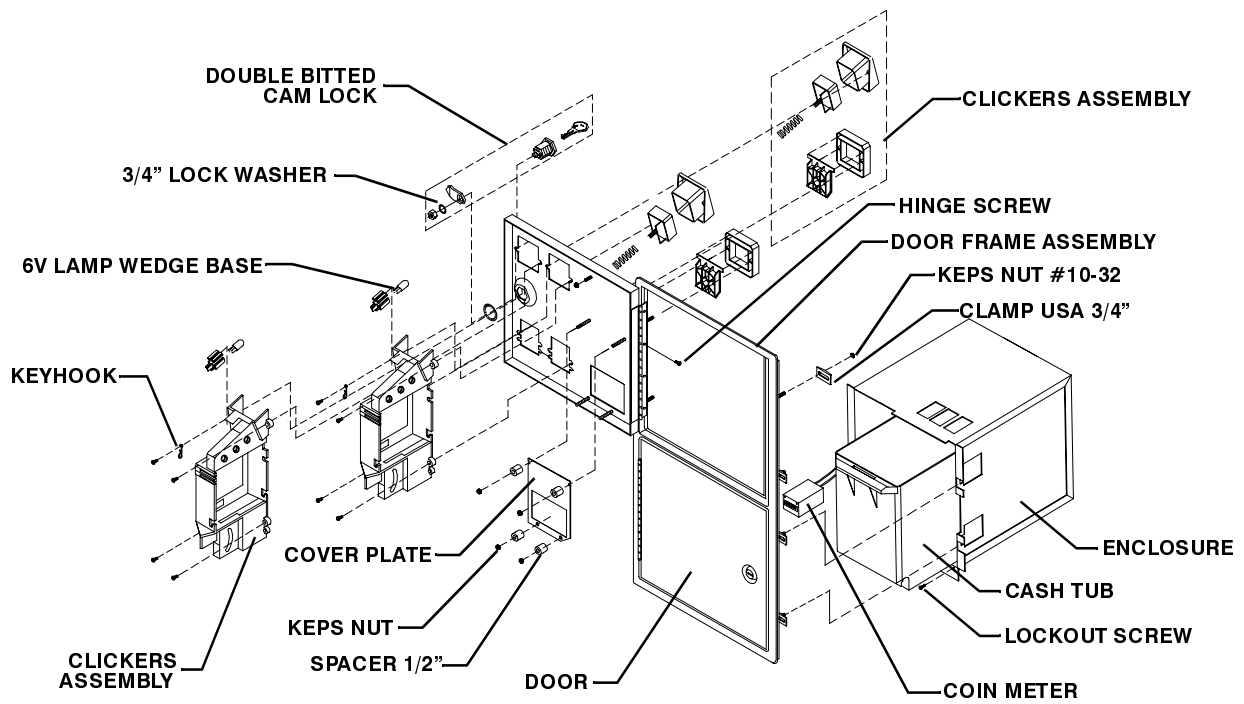
LEVELERS



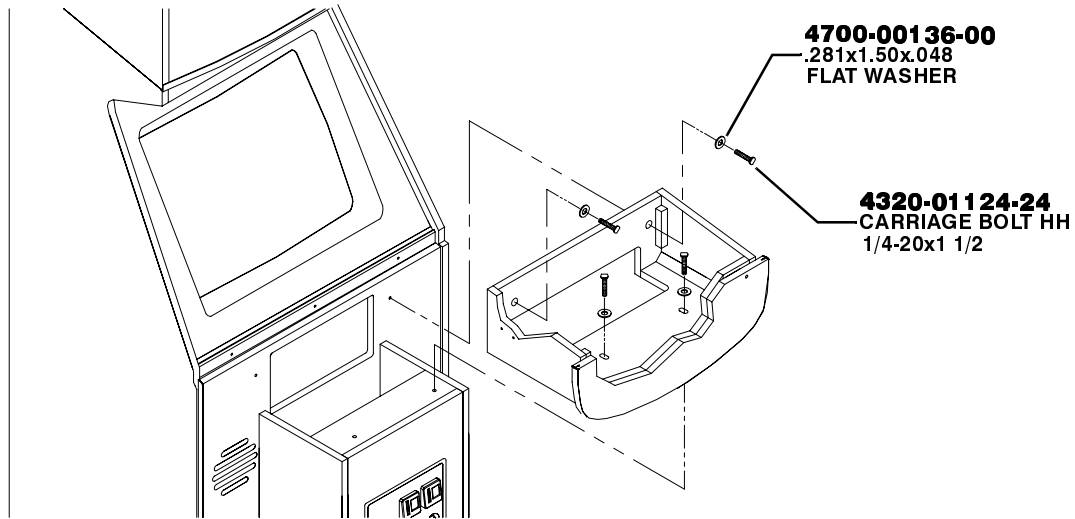
AC POWER PLUG WITH BRACKET ASSEMBLY (A-23089)



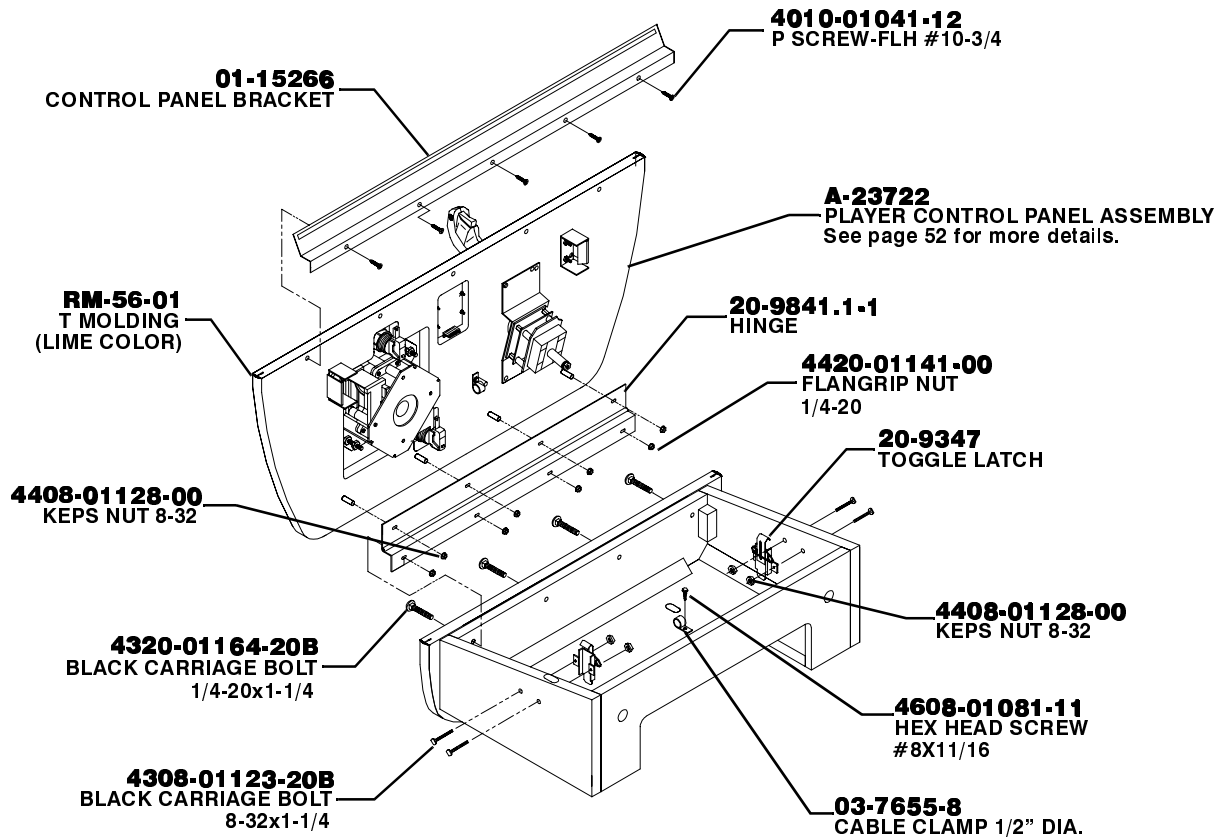
COIN DOOR ASSEMBLY



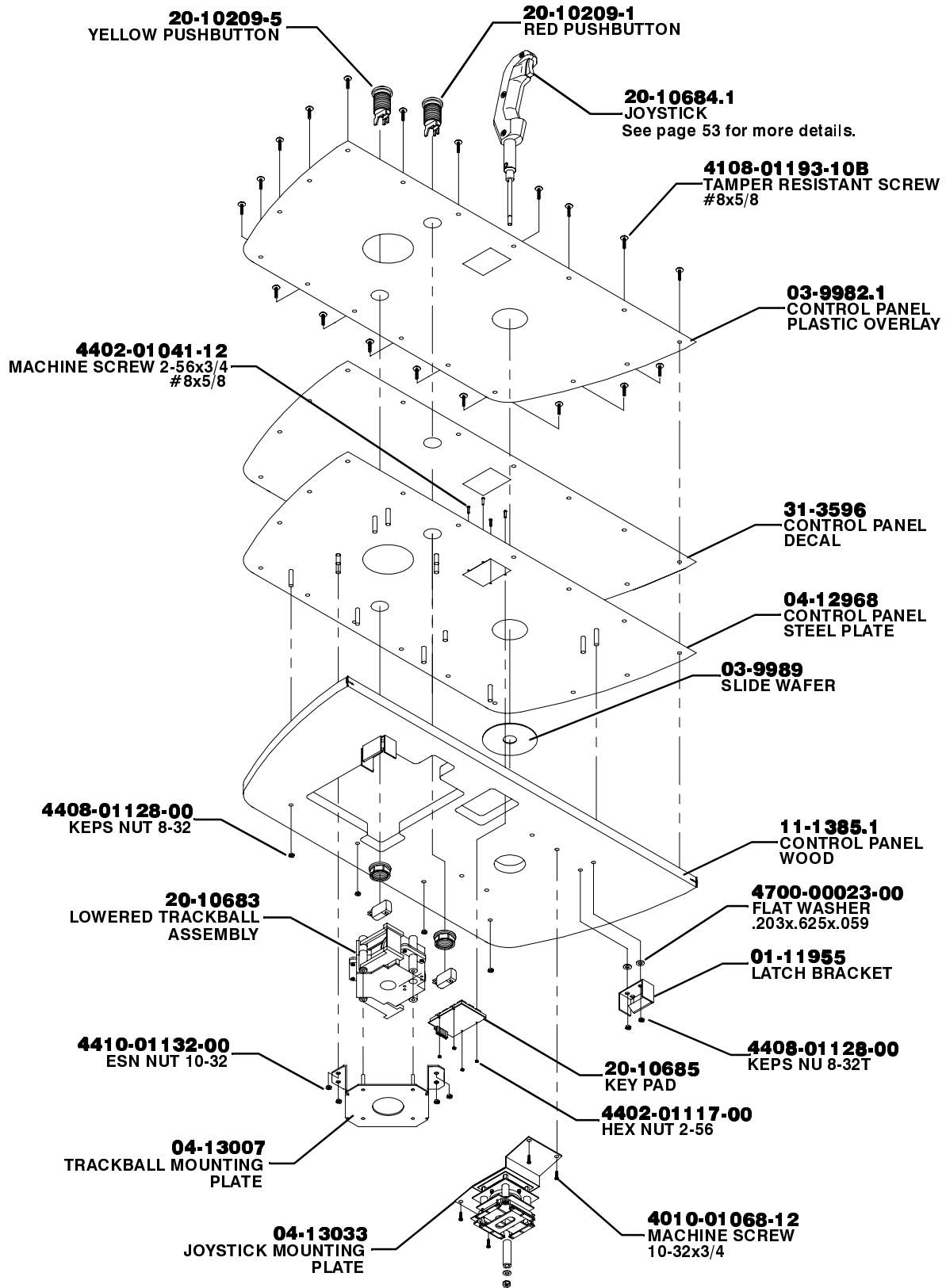
CONTROL PANEL WITH HOUSING INSTALLATION



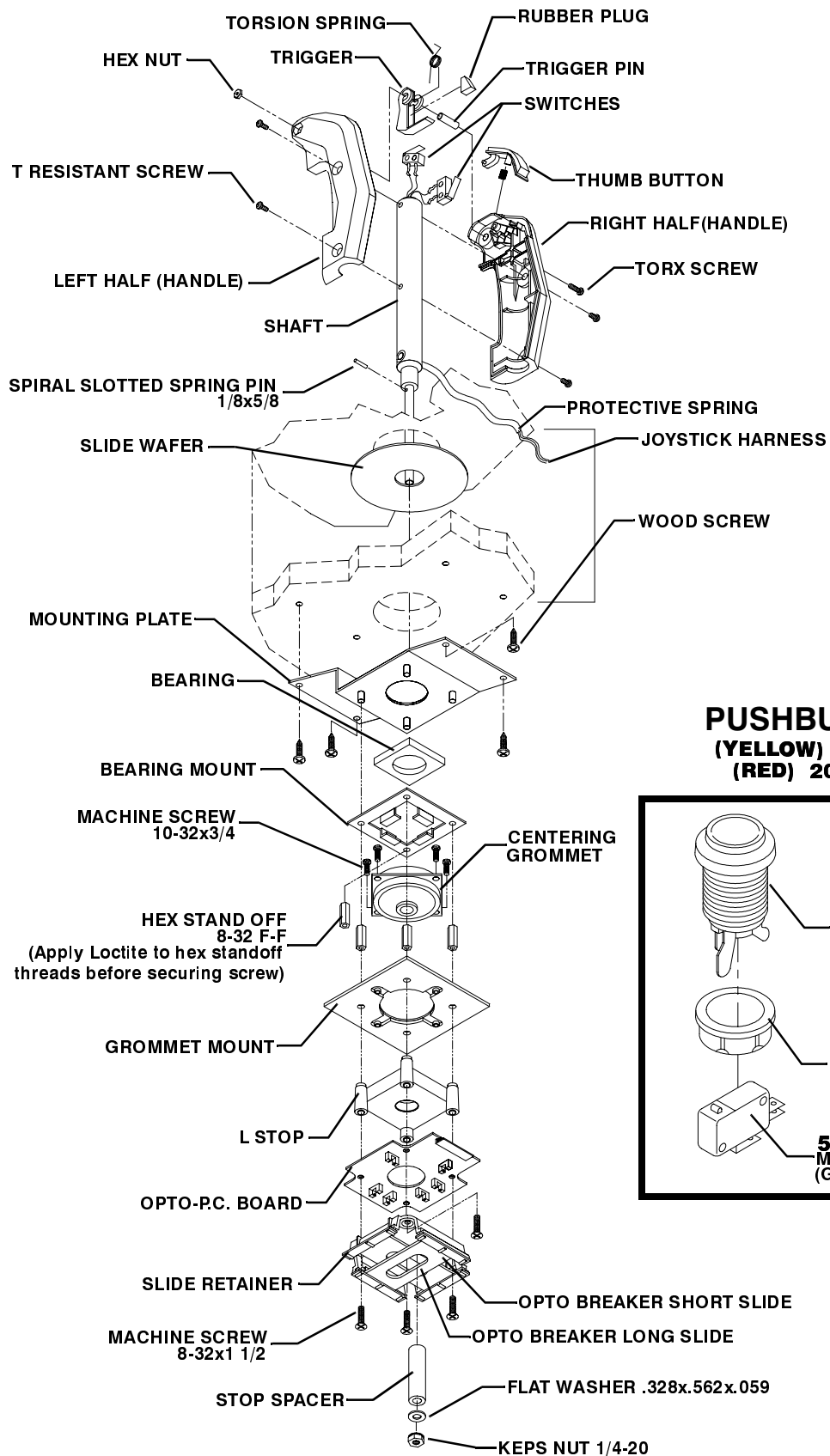
CONTROL PANEL AND HOUSING ASSEMBLY (A-23721)



CONTROL PANEL ASSEMBLY (A-23722)

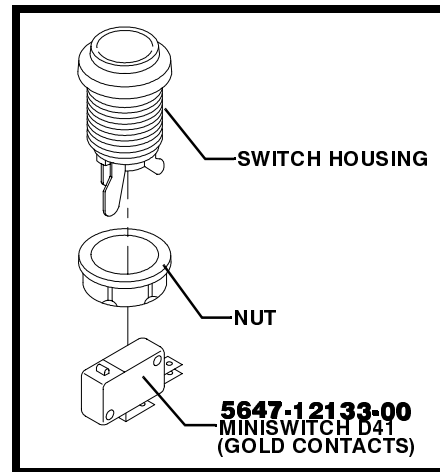


JOYSTICK ASSEMBLY (20-10684.1)

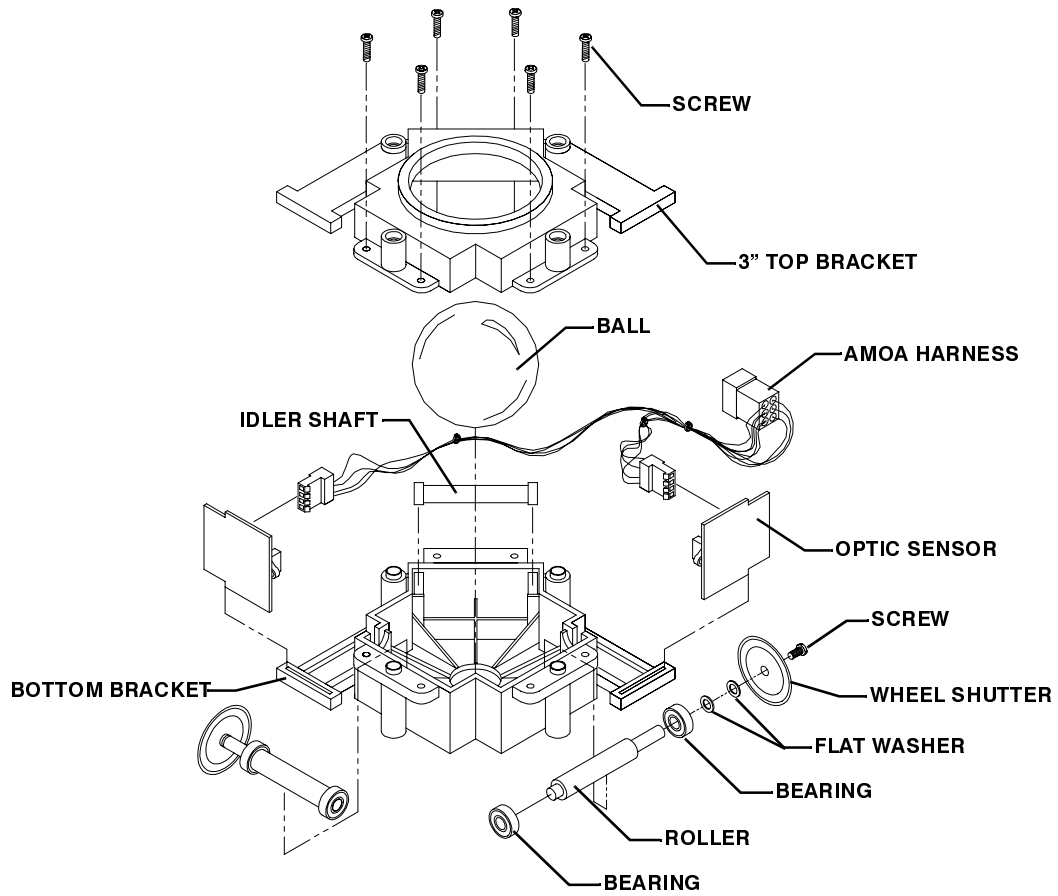


PUSHBUTTONS

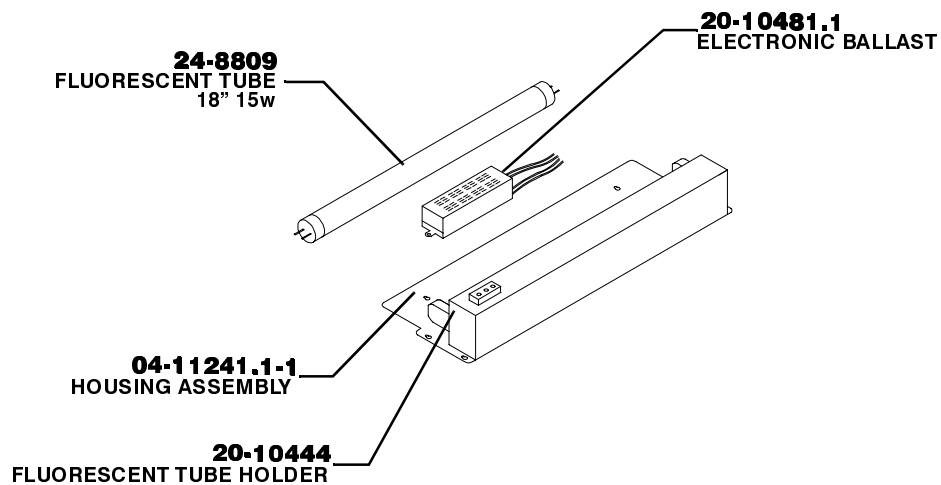
(YELLOW) 20-10209-5
 (RED) 20-10209-1



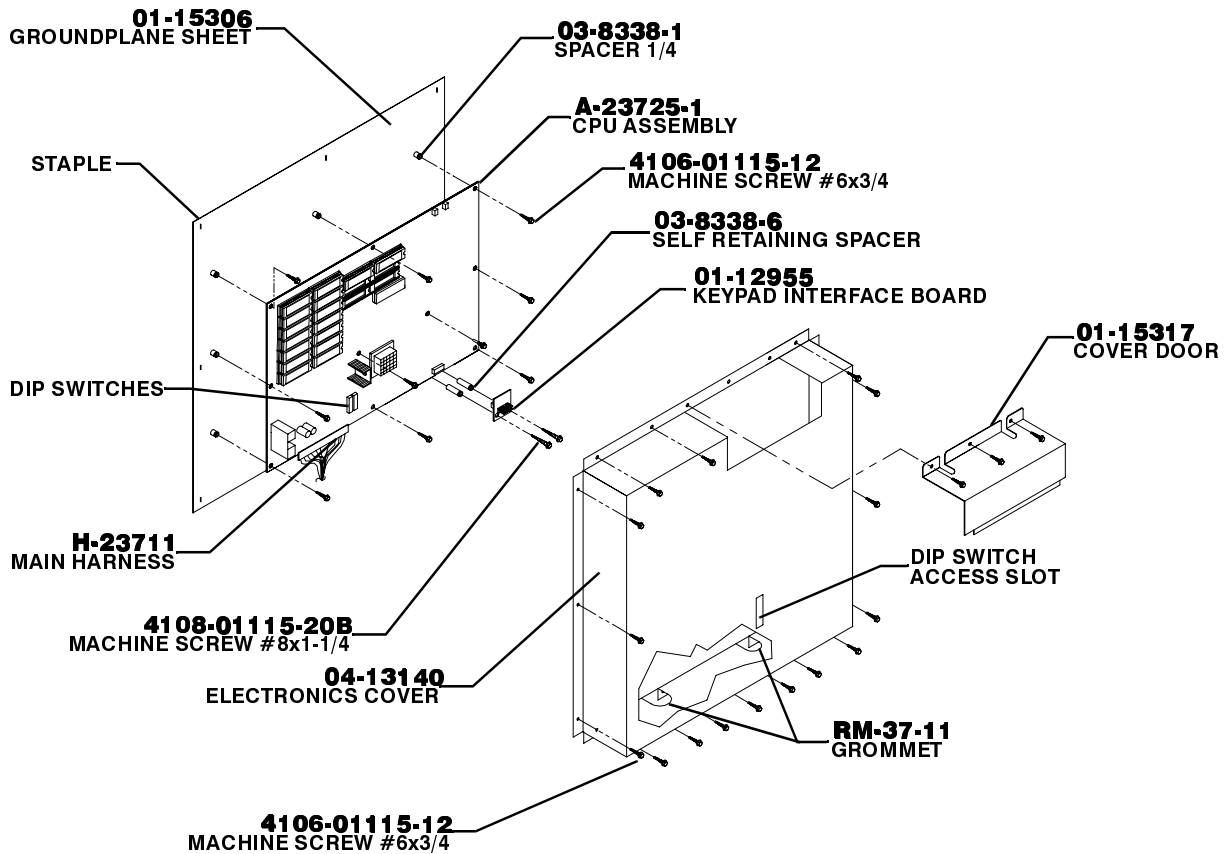
LOWERED TRACKBALL ASSEMBLY (20-10683)



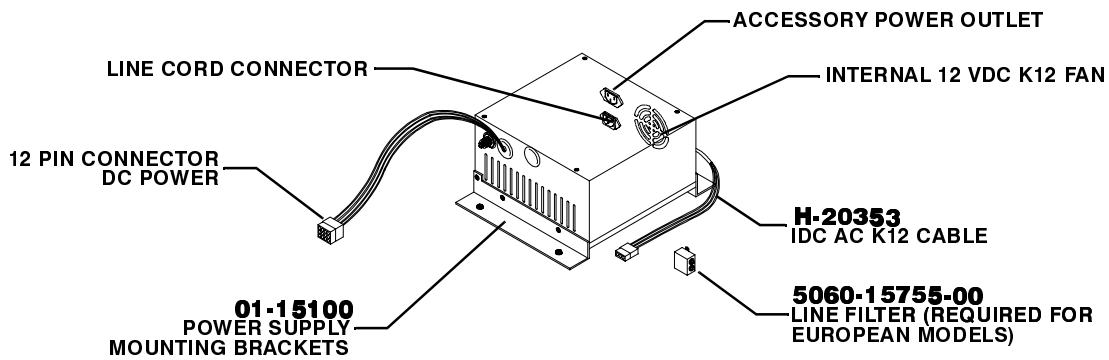
FLUORESCENT LAMP ASSEMBLY (A-22506-1)



ELECTRONICS ASSEMBLY (A-23899)



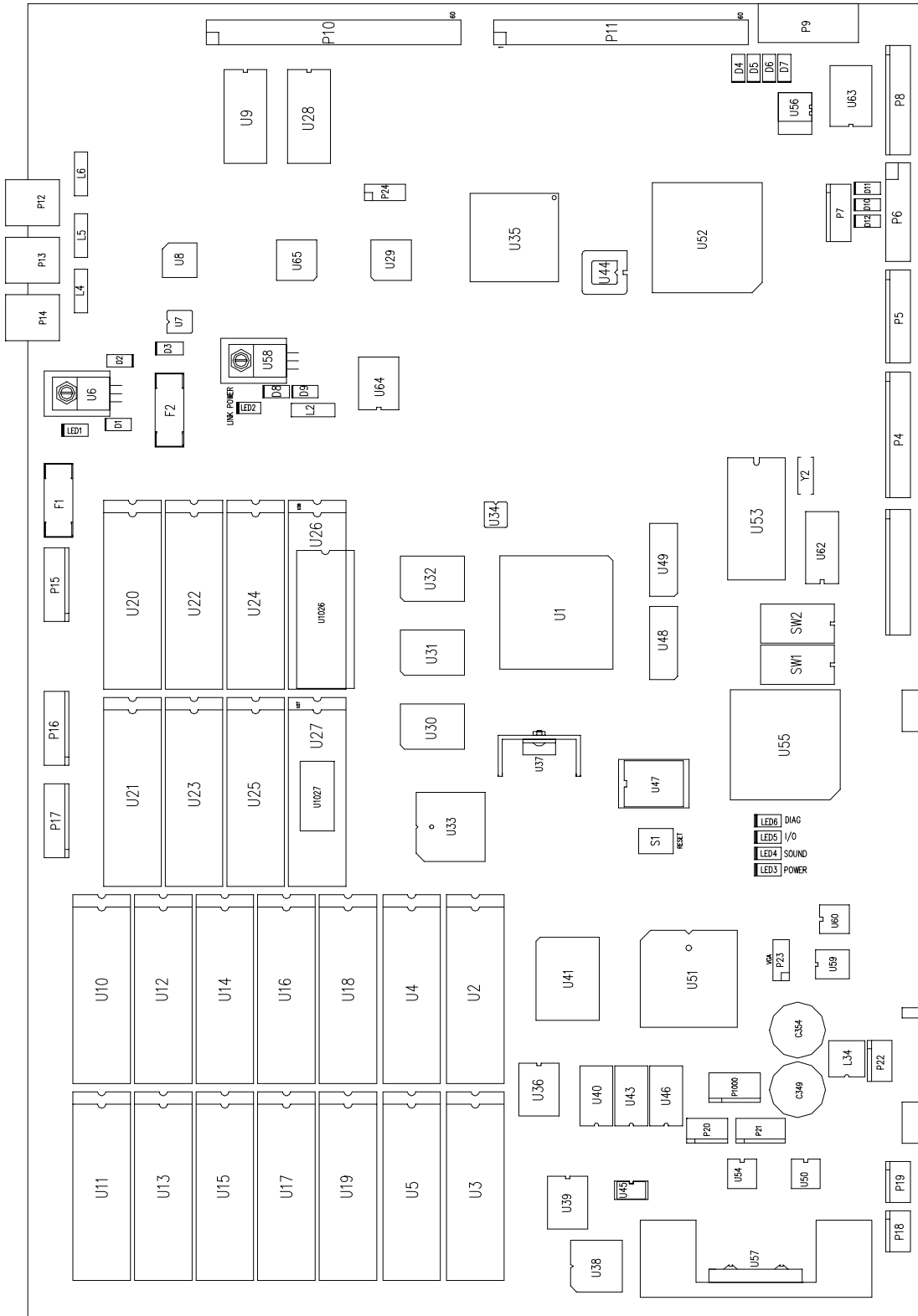
POWER SUPPLY (20-10537)



PIN #	FUNCTION	WIRE COLOR
1, 2, 3	+5 DVC	RED
4, 5, 6, 7, 8	GROUND	BLACK
9	-5 DVC	WHITE*
10, 11	+12 DVC	YELLOW*
12	-12 DVC	BLUE*

*NOTE: Many computer grade power supplies use alternate wire colors. This is acceptable as long as the pinout is correct.

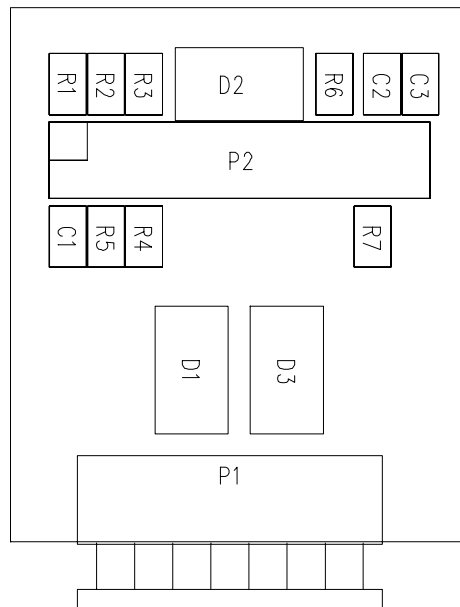
CPU ASSEMBLY (A-23725-1)



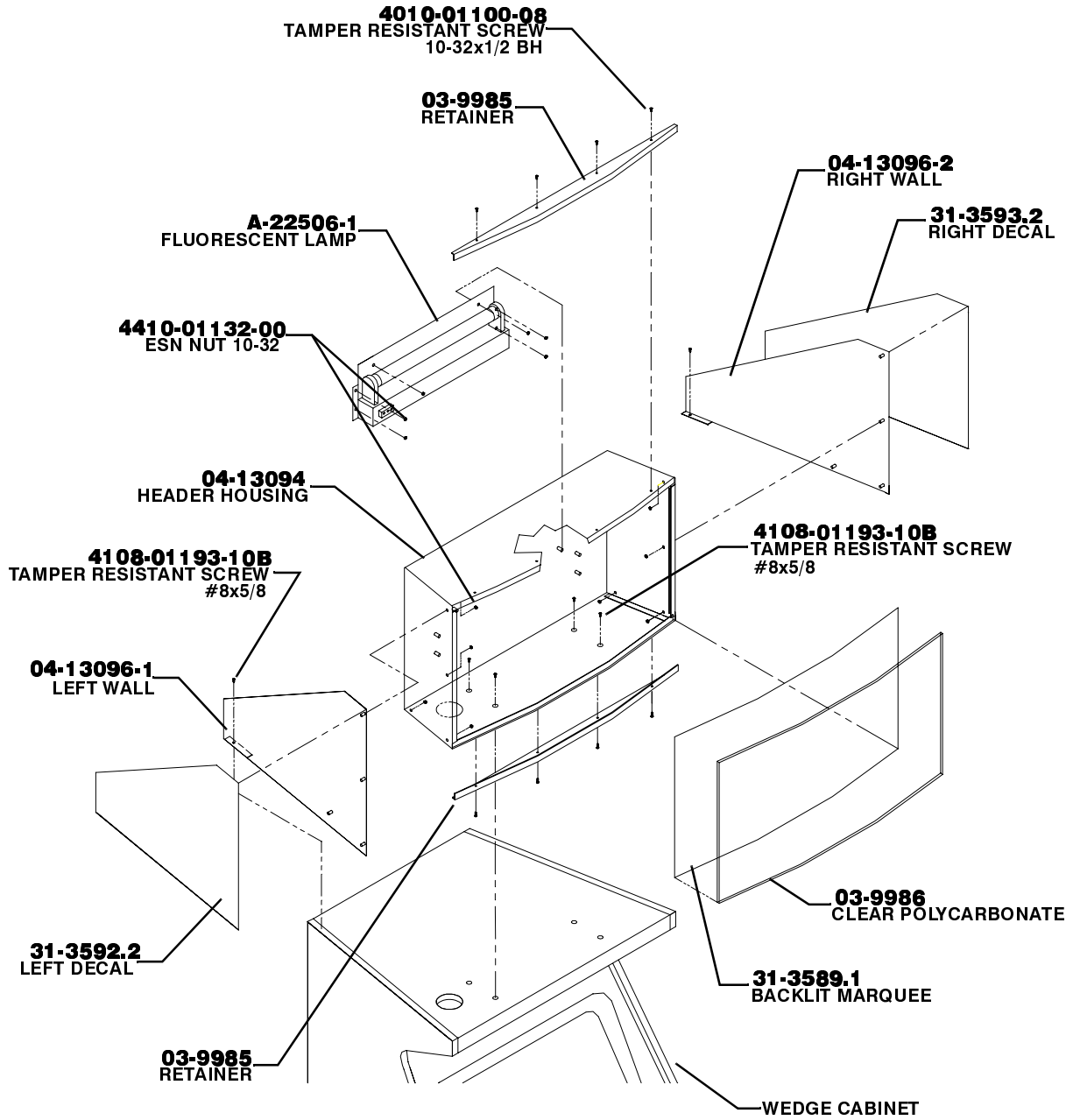
Field Replaceable CPU Board Parts

DESIGNATION	PART NUMBER	FUNCTION	DESCRIPTION
F1, F2	5735-13853-00	Circuit Protection	2A SB Fuse 5x20mm
U2	A-5343-40091-1	Sound	EPROM Assembly
U3	A-5343-40091-2	Sound	EPROM Assembly
U4	A-5343-40091-3	Sound	EPROM Assembly
U10	A-5343-40091-5	Programming	EPROM Assembly
U11	A-5343-40091-6	Programming	EPROM Assembly
U12	A-5343-40091-7	Programming	EPROM Assembly
U13	A-5343-40091-8	Programming	EPROM Assembly
U18	A-5343-40091-13	Images	EPROM Assembly
U19	A-5343-40091-14	Images	EPROM Assembly
U20	A-5343-40091-15	Images	EPROM Assembly
U21	A-5343-40091-16	Images	EPROM Assembly
U22	A-5343-40091-17	Images	EPROM Assembly
U23	A-5343-40091-18	Images	EPROM Assembly
U53	A-23726	Grid Game Instructions	PIC Assembly

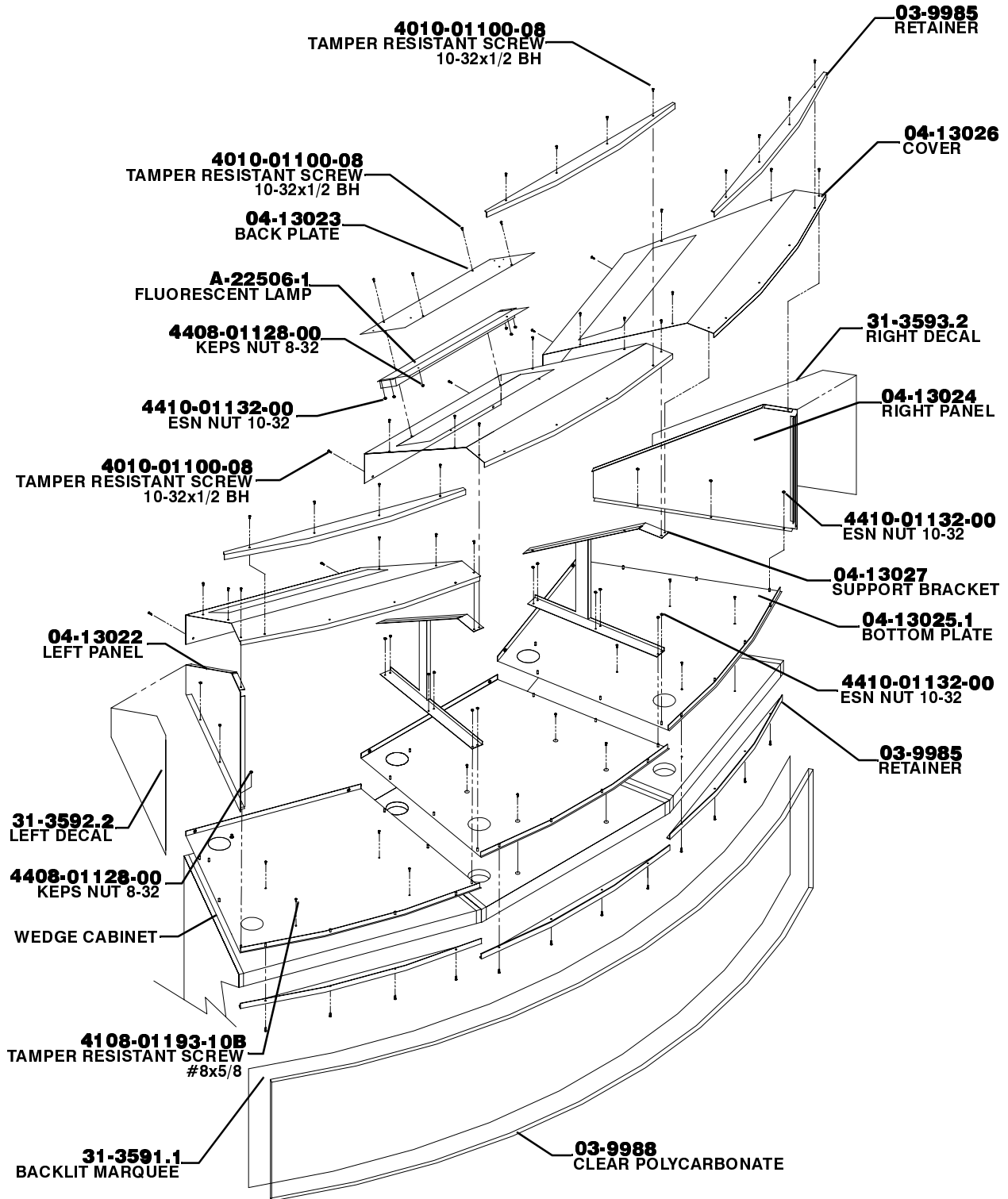
KEYPAD INTERFACE BOARD ASSEMBLY (04-12955)



SINGLE HEADER ASSEMBLY (4B391)



TRIPLE HEADER ASSEMBLY (4A791)



SUPPLEMENTARY PARTS

Bulbs, Filters and Fuses	Part Number
Bulb #555 6.3V, 0.25A	24-8768
Fuse, 1ASB, 250V	5731-06569-00
Fuse, 3ASB,250V, 3AG	5731-10356-00
Holder, 2x3AG, 1/4" Terminal Fuse	5733-15139-00
Ferrite Bead, 1 1/4 SQ	5556-13956-00
Ferrite Bead 3/4 SQ	5556-13957-00

Cables	Part Number
Fire Wire Linking Cable, 16FT	20-10536-16
IDC Cable ac ki2	H-20353
Line Voltage Cable	H-23710
Main Wiring Harness	H-23711.1
Control Panel Cable	H-23712
Ground Braid w/ring 1/4x95	H-22327-95
Cabinet speaker cable	H-23742

Documentation	
Game Operation Manual	16-40091-101
Product Registration Card	16-10650

Kit, Spare Parts	Part Number
01-11286	Pad lock bracket
08-7377	3" leg leveler
4422-01117-00	Nut 3/8-16
4320-01123-32	Bolt Cb 1/4-20x2
20-9620	Tamper resistant long arm key T20
20-10144	Tamper resistant long arm key T25

LINE CORD APPLICATION CHART

Part No. Country	5850-14699-00	5850-14699-01	5850-14699-02	5850-14699-03	585014699-06
USA					
UK					
Italy					
Japan					
New Zealand					
Germany					
Spain					
Denmark					
Finland					
Holland					
Norway					
Switzerland					
Hungary					
Canada					
Austria					
France					
Australia					
Belgium					
Sweden					

COIN DOOR APPLICATION CHART

Part No. Country	09-96026-14	09-96026-20	09-96026-33	09-96027
USA				
UK				
Italy				
Japan				
New Zealand				
Germany				
Spain				
Denmark				
Finland				
Holland				
Norway				
Switzerland				
Hungary				
Canada				
Austria				
France				
Australia				
Belgium				
Sweden				

NOTES