



NBA SHOWTIME GOLD EDITION / NFL BLITZ 2000 GOLD EDITION

CHAPTER ONE

SETUP

	<p>NOTICE: This manual is subject to change without notice. Midway reserves the right to make improvements in equipment function, design, or components as progress in engineering or manufacturing methods may warrant.</p> <p>Fill out and mail in the Game Information Card. Include the game serial number from the label on the rear of the cabinet. For your records, write the game serial number in the manual. SERIAL NUMBER _____</p>
	<p>NOTICE: The term VGM refers to the video game machine.</p>

SAFETY INSTRUCTIONS

The following safety instructions apply to operators and service personnel. Read these instructions before preparing your game for play. Other safety instructions appear throughout this manual.






DEFINITIONS OF SAFETY TERMS






DANGER indicates an imminent hazard. If you fail to avoid this hazard, it **WILL** cause death or serious injury.

WARNING indicates a potential hazard. If you fail to avoid this hazard, it **COULD** cause death or serious injury.

CAUTION indicates a potential hazard. If you fail to avoid this hazard, it **MAY** cause minor or moderate injury. **CAUTION** also alerts you about unsafe practices.

NOTICE indicates information of special importance.

	<p>WARNING: TRANSPORTING GAMES. This game contains glass and fragile electronic devices. Use appropriate care when transporting this game. Avoid rough handling when moving the cabinet. Don't move this game with the power on.</p>
	<p>WARNING: DISCONNECT POWER. Always turn the power OFF and unplug the game before attempting service or adjustments. Installing or repairing PC boards with power ON can damage components and void the warranty. Be sure that you securely install ground wires.</p>
	<p>WARNING: GROUND GAMES. Avoid electrical shocks! Don't plug in a game until you have inspected and properly grounded it. Only plug this game into a grounded, three-wire outlet. Don't use a "cheater" plug, or cut off the ground pin on the line cord.</p>
	<p>WARNING: HAZARD TO EPILEPTICS. A small portion of the population has a condition that may cause epileptic seizures. Affected persons experience seizures while watching some television pictures or playing certain video games. People who have not had seizures may still have an undetected epileptic condition.</p> <p>If anyone in your family has experienced epilepsy symptoms (e.g., seizures or loss of awareness), consult your physician before using video games.</p> <p>While children play video games, a parent should observe. Be alert to the following symptoms: Dizziness, altered vision, eye or muscle twitching, involuntary movements, loss of awareness, disorientation, or convulsions. If you or your child experience these symptoms, <i>discontinue use immediately</i> and consult your physician.</p>
	<p>WARNING: AVOID ELECTRICAL SHOCKS. This video game system does not utilize an isolation transformer. Internal, cabinet AC isn't isolated from the external, AC line.</p>

	WARNING: HANDLE FLUORESCENT TUBE AND CRT WITH CARE. If you drop a fluorescent tube or CRT and it breaks, it will implode! Shattered glass can fly eight feet or more from the implosion.
	CAUTION: CHECK POWER SELECTOR, LAMP. Set the 110/220VAC selector on the power supply for the correct line voltage. Check the selector setting before switching on the game. Verify that the fluorescent lamp assembly is correct for the local line voltage.
	CAUTION: USE PROPER FUSE. Avoid electrical shock! Replacement fuses must be of the same type as those they replace. Fuse voltage and current ratings must match ratings on the original fuse.
	CAUTION: ATTACH CONNECTORS PROPERLY. Be sure that printed circuit board (PCB) connectors mate properly. If connectors don't slip on easily, don't force them. A reversed connector may damage your game and void the warranty. Connector keys only allow a connector to fit one set of pins on a board.
	CAUTION: TAKE CARE WHEN SHIPPING HARD DISKS. The hard disk drive must be packed in an anti-static bag. When shipping the drive for repair or replacement, pack it in an approved container (P/N 08-8068). Never stack or drop hard disk drives.

PRODUCT SPECIFICATIONS

Operating Requirements

<i>Location</i>	<i>Electrical Power</i>	<i>Temperature</i>	<i>Humidity</i>
Domestic	120VAC @ 60Hz 4.0 Amps	32°F to 100°F	Not to exceed 95% relative
Foreign	230VAC @ 50Hz 2.0 Amps	(0°C to 38°C)	
Japan	100VAC @ 50Hz 4.0 Amps		

Cabinet Statistics

<i>Shipping Dimensions (One Piece)</i>			<i>Shipping Weight</i>	<i>Design Type</i>
Carton	Main Cabinet	Player Control Panel	Approx. 385 lbs. (175 kg.)	<ul style="list-style-type: none"> • Dedicated Video Game • 49-Way, Optodetector Joysticks
Width	29" (73.7 cm)	37" (94.0 cm)		
Depth	43" (109.2 cm)	13" (33.0 cm)		
Height	75" (190.5 cm)	7" (17.8 cm)		

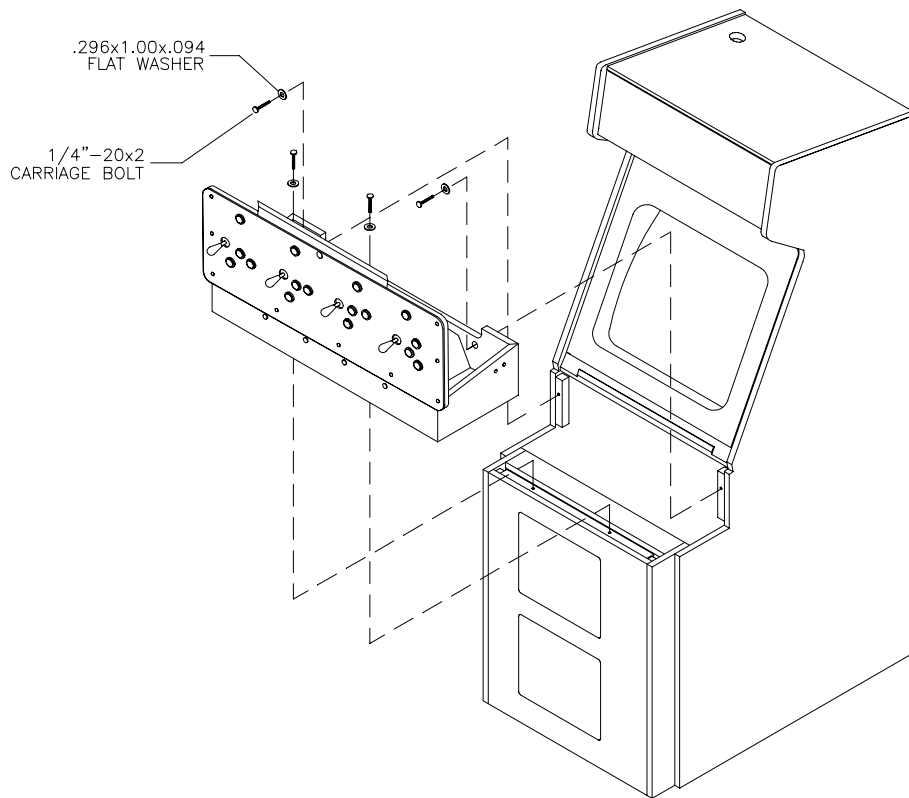
Equipment Characteristics

<i>Video Display Monitor</i>	<i>Audio System</i>	<i>Currency Acceptors</i>
<ul style="list-style-type: none"> • 25" (63.5 cm) CRT • Medium Resolution RGB • DIP Switch U12-2 sets resolution • SIO Jumper J2 sets sync polarity 	<ul style="list-style-type: none"> • Digital Stereo Sound • 5" (12.7 cm) Coaxial, Full-Range Speakers 	<ul style="list-style-type: none"> • 2 Coin Mechanisms • Dollar Bill Validator Ready • Electronic Coin Acceptor Ready

VGM Characteristics

<i>Player Variables</i>	<i>Operator Variables</i>	<i>Diagnostics</i>
<ul style="list-style-type: none"> • 1 to 4 players per game • High Score Recognition • Parental Advisory Disclosure: "Suitable for all ages" 	<ul style="list-style-type: none"> • Coinage • Game Options • Difficulty • Volume • Audits • Statistics 	<ul style="list-style-type: none"> • Automatic, Power-Up Self-Test • Manual, Multi-Level Menu System

INSTALLATION & INSPECTION



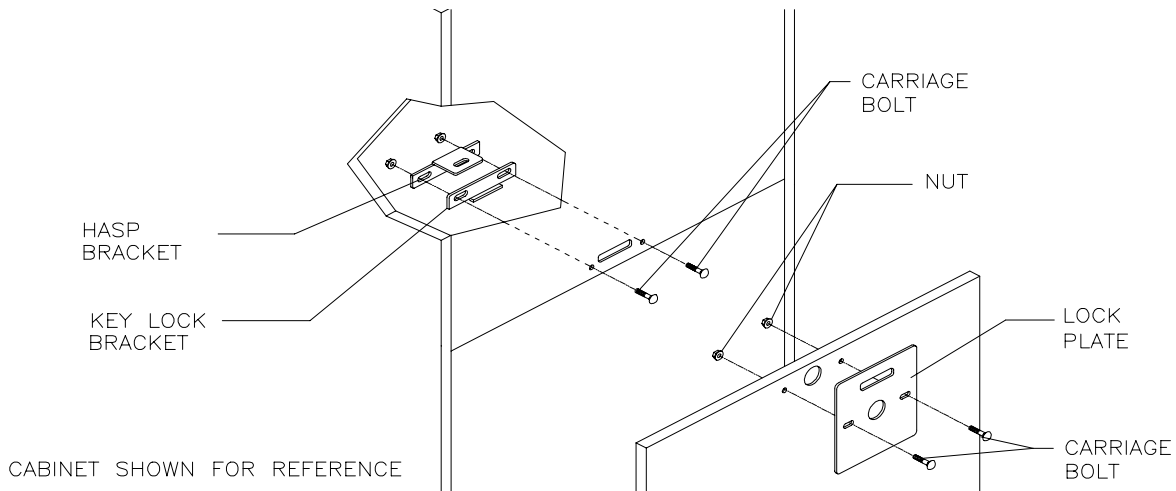
INSTALL THE CONTROL PANEL



WARNING: The cabinet is top heavy. Use the two handles when moving the cabinet.

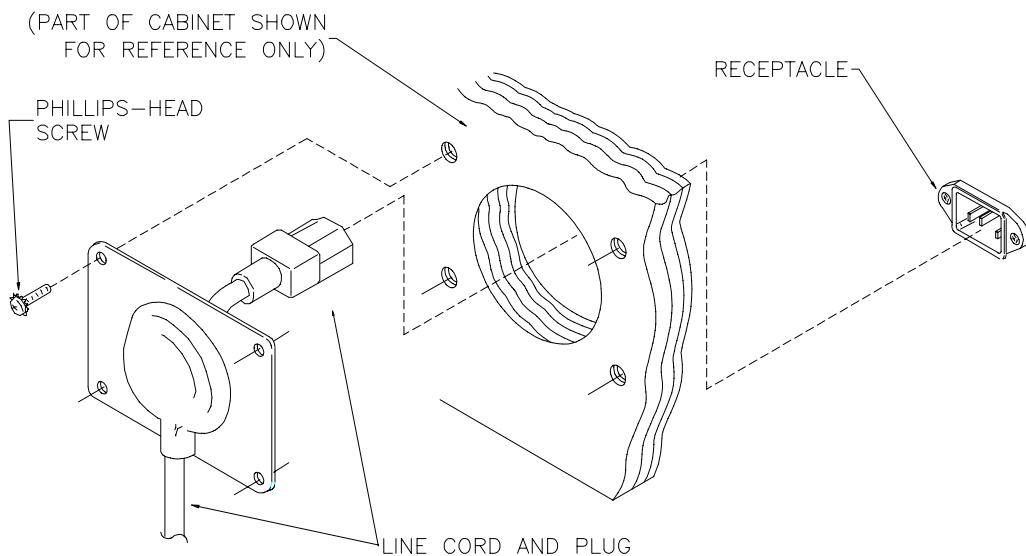
- [] 1. Remove all items from the shipping containers. Inspect the exterior of the cabinet, and control panel for damage. Pay special attention to cabinet edges, seams, and corners.
- [] 2. Remove and save the screws at the top and sides of the rear door. Unlock the rear door. Then lift it off the cabinet. Set the rear door aside. Inspect the cabinet interior for signs of damage. Check all major assemblies to assure that they mount securely. Check the joysticks for signs of damage.
- [] 3. The coin door keys are on a key hook inside the cabinet. Unlock and open the coin door. Cash box door and rear door keys are on a key hook attached to the rear of the coin door. Unlock and open the cash box door. Remove the spare parts stored in the cash box.
- [] 4. Find the leg levelers and nuts in the spare parts bag. Install one nut onto each leg leveler. Hand-turn the nut against the base of the leg leveler. Install one leveler with its nut into the threaded hole in each corner of the cabinet. Turn the levelers all the way into the holes, but don't tighten the levelers.
- [] 5. Unpack the player control panel (*player panel*). Place the player panel on the cabinet above the coin door. Open the player panel. Align panel-mounting holes with holes in the cabinet. Install bolts with washers (two in back; two on the bottom). Connect wiring harnesses to P1, P2, and P8 on the I-40 Joystick Interface Board. Close the player panel. Reach up through the open coin door and lock both latches.

- [] 6. Refer to the Cabinet Wiring Diagram (Chapter 5). Check to see that cable connectors are correctly secured. *Don't force connectors. They're keyed to fit in only one location.* Bent pins and reversed connections may damage your game and void the warranty.
- [] 7. You can install an extra padlock to secure the rear door. You'll find a hasp in the spare parts bag. Remove the two lock bracket nuts from inside the cabinet, above the rear door opening. Slide the hasp onto the bolts. Be sure that the hasp protrudes from the hole in back of the cabinet. Reinstall nuts and tighten.
- [] 8. Modify the lock plate at the top of the rear door: Remove the bolts and nuts from the lock plate. Rotate the plate so that the slot is above the door. Reinstall bolts and nuts. Tighten them firmly.



INSTALL THE DOOR LOCK AND SECURITY BRACKETS

- [] 9. The power cord is with the spare parts. Find the line cord cover plate at the rear of the cabinet. Remove and save the four screws from this plate. Match the holes on the IEC plug with the prongs in the receptacle. Push the plug firmly to seat it. Route the cord away from cabinet wheels and foot traffic areas. Hang excess cord on the plastic clip near the vent.



INSTALL THE LINE CORD



CAUTION: CHECK POWER SUPPLY LINE VOLTAGE SELECTOR SWITCH. Set the 110/220 VAC selector on the power supply for the correct local line voltage. Check the selector setting before switching on the game.

- [] 10. Reinstall the rear door and close it. Lock the rear door and remove the key. If required, install the extra padlock through the hasp. Install the screws at the top and sides of the rear door. Tighten the screws snugly. Close and lock the cash box and coin doors.



NOTICE: For additional security, the factory provides tamper-resistant screws and a matching wrench with this game. You'll find four tamper-resistant screws and four wrenches in the spare parts bag. If desired, replace the original screws with the tamper-resistant screws. Tighten the screws firmly with the wrench.

- [] 11. Move the game to its play location. Lower each leg leveler until the cabinet is stable and level. Adjust the levelers as required to raise wheels and distribute weight equally on each corner. Tighten the nuts.
- [] 12. Plug the game into a grounded, 3-terminal, AC wall outlet. Switch on the game, using the switch at the top-left, rear of the cabinet. The game will power up and begin self-diagnostics. If diagnostics find no errors, the game enters its Attract Mode of operation. Unlock and open the coin door. Locate the control switches. Press TEST MODE to enter the Menu System.
- [] 13. Select "MONITOR SETUP" at the Diagnostics Menu. Confirm proper video display operation and adjust the monitor as necessary.
- [] 14. Select "DISK TESTS" at the Diagnostics Menu. Run all the tests in order to verify correct drive operation.
- [] 15. Select "SWITCH TESTS" at the Diagnostics Menu. Check to be sure that all control switches work.
- [] 16. Select "DIP-SWITCH TESTS" at the Diagnostics Menu. Verify that all switches are set to optimum positions for this game.
- [] 17. Select "SPEAKER TEST" at the Diagnostics Menu. Verify operation of audio system components.
- [] 18. Select "EXIT" at the Main Menu. The system should enter Game-Over Mode. Open the coin door and press the SERVICE CREDITS button to allow game play. Choose a joystick and press the START button to begin play. Listen to the audio while playing the game. Note sound irregularities (phase problems, no low frequencies, mono audio from stereo speakers, etc.). If necessary, check the wiring harness for internal shorts or strapped connections.