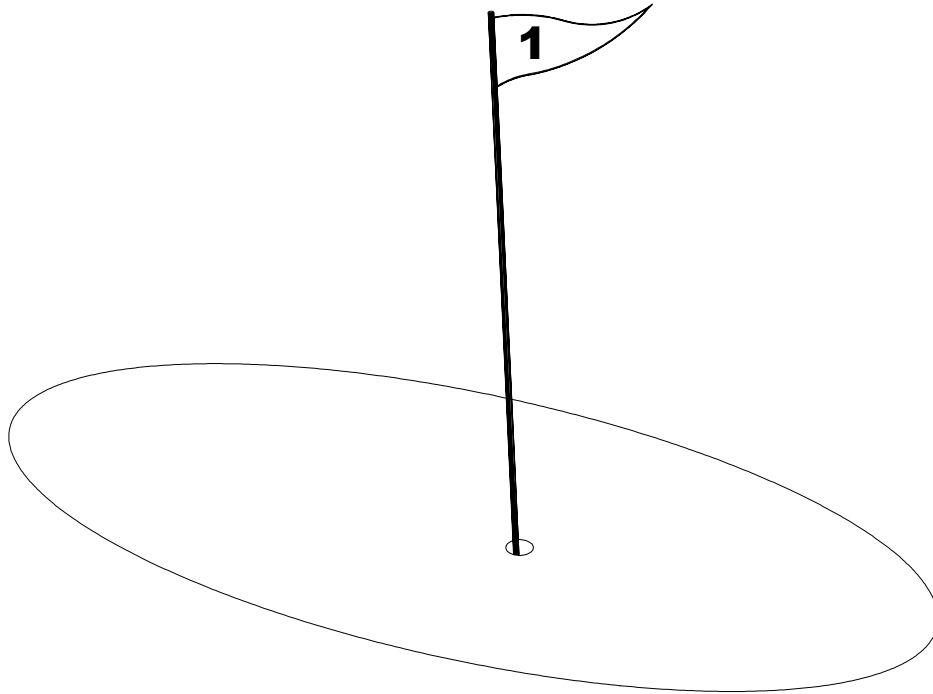


SKINS GAME

CHAPTER



SAFETY AND SETUP



NOTICE: This manual is subject to change without notice. Midway Games West Inc. reserves the right to make improvements in equipment function, design, or components as progress in engineering or manufacturing methods may warrant.

Fill out and mail in the Game Information Card. Include the serial number from the label on the rear of the cabinet. For your records, write the serial number in the manual.

SERIAL NUMBER _____

SAFETY INSTRUCTIONS

The following safety instructions apply to operators and service personnel. Read these instructions before preparing the game for play. Other safety instructions appear throughout this manual.








DEFINITIONS OF SAFETY TERMS




DANGER indicates an imminent hazard. If you fail to avoid this hazard, it **WILL** cause death or serious injury.

WARNING indicates a potential hazard. If you fail to avoid this hazard, it **COULD** cause death or serious injury.

CAUTION indicates a potential hazard. If you fail to avoid this hazard, it **MAY** cause minor or moderate injury. **CAUTION** also alerts you about unsafe practices.

NOTICE indicates information of special importance.

	<p>WARNING: TRANSPORTING GAMES This game contains glass and fragile electronic devices. Use appropriate care when transporting this game. Avoid rough handling when moving the cabinet. Do not move this game with AC power ON.</p>
	<p>WARNING: DISCONNECT POWER Always turn AC power OFF and unplug the game before attempting service or adjustments unless otherwise instructed. Installing or repairing PC boards with power ON can damage components and void the warranty.</p>
	<p>WARNING: GROUND GAMES. Avoid electrical shocks! Do not plug in a game until you have inspected and properly grounded it. Only plug this game into a grounded, three-wire outlet. Do not use a "cheater" plug, or cut off the ground pin on the line cord.</p>
	<p>WARNING: AVOID ELECTRICAL SHOCKS. This video game system does not utilize an isolation transformer. Internal cabinet AC is not isolated from the external AC line.</p>
	<p>WARNING: HANDLE FLUORESCENT TUBE AND CRT WITH CARE. If you drop a fluorescent tube or CRT and it breaks, it will implode! Shattered glass can fly eight feet or more from the implosion.</p>
	<p>CAUTION: CHECK POWER SELECTOR, LAMP. Set the 115/230VAC selector on the power supply for the correct line voltage. Check the selector setting before switching on the game. Verify that the fluorescent lamp assembly is correct for the local line voltage.</p>
	<p>CAUTION: USE PROPER FUSE. Avoid electrical shock! Replacement fuses must be of the same type as those they replace. Fuse voltage and current ratings must match ratings on the original fuse.</p>

	<p>CAUTION: ATTACH CONNECTORS PROPERLY. Be sure that printed circuit board (PCB) connectors mate properly. If connectors do not slip on easily, do not force them. A reversed connector may damage your game and void the warranty. Connector keys only allow a connector to fit one set of pins on a board.</p>
	<p>CAUTION: USE CARE WHEN SHIPPING HARD DISKS. The hard disk drive must be packed in an anti-static bag. When shipping the drive for repair or replacement, pack it in an approved container (P/N 08-8068). Do not stack or drop hard disk drives. Moving cabinet while AC power is on can also damage hard drive.</p>
	<p>WARNING: HAZARD TO EPILEPTICS. A very small portion of the population has a condition which may cause them to experience epileptic seizures or have momentary loss of consciousness when viewing certain kinds of flashing lights or patterns that are present in our daily environment. These persons may experience seizures while watching some kinds of television pictures or playing certain video games. People who have not had any previous seizures may nonetheless have an undetected epileptic condition.</p> <p>If you or anyone in your family has experienced symptoms linked to an epileptic condition (e.g., seizures or loss of awareness), immediately consult your physician before using any video games.</p> <p>We recommend that parents observe their children while they play video games. If you or your child experience the following symptoms: dizziness, altered vision, eye or muscle twitching, involuntary movements, loss of awareness, disorientation, or convulsions, DISCONTINUE USE IMMEDIATELY and consult your physician.</p>

W elcome to Skins Game!

It's a beautiful day on the digital fairway. Midway Games West Inc. keeps the greens perpetually immaculate. In Skins Game, you and up to three other players are invited to practice your putting, perfect your drive, or simply haul off and lob a bucket of balls into the water hazards. Don't worry. We'll refill the bucket.

Ultra-realistic Skins Game is just like a round of golf, minus the strenuous exercise. Your Midway caddy warns you about sand traps and water hazards and offers the best route for your shots. She selects what she thinks is the best club, but you may choose yourself from a full bag of putters, drivers, wedges, and irons—all custom crafted for optimal performance. As you enjoy your game, birds chirp peacefully in the distance and the sun shines with nary a cloud to speak of. Heatstroke is never a problem.

Adjust your stance and shot direction all you like, but your virtual player begins each stroke oriented in the best stance and direction to hit the pin. While the three-dimensional terrain forces your ball to follow Newtonian physics, your shot "snaps" to the pin unless you choose to aim elsewhere. And a peek at the wind gauge may convince you to do so! The wind *will* send your ball off course if you're not careful.

Of course in Extreme Mode, say bye-bye to Mr. Newton as you change the ball's path or spin in mid-flight.

Players who don't dawdle at the tee earn QuickShot bonuses, rewards for hitting the ball within 15 seconds. Collecting 10 QuickShot bonuses gives you an extra Power Shot. And Power Shots mean added distance with your clubs. However, you must carefully time the joystick release, or your Power Shot becomes a nasty hook or slice. Normally, players earn one Power Shot for each three holes.

As your game improves (or not), a hard drive records your scores. With the keypad, you can enter a PIN that identifies you and calls up your statistics—in case there was any doubt about your birdie on the fourth hole at Eagle Ridge.

PRODUCT SPECIFICATIONS

Operating Requirements

<u>Location</u>	<u>Electrical Power</u>	<u>Temperature</u>	<u>Humidity</u>
Domestic	120VAC @ 60Hz 3.0 Amps	37°F to 100°F	Not to exceed 95% relative
Foreign	230VAC @ 50Hz 2.0 Amps	(3°C to 38°C)	
Japan	100VAC @ 50/60Hz 3.0 Amps		

Cabinet Statistics

<u>Shipping Dimensions</u>	<u>Shipping Weight</u>	<u>Design Type</u>
Height 73" (185 cm)	400 lbs. (148.2 kg.)	Single Dedicated Video Game with Linking capability
Width 28" (71 cm)		
Depth 42" (106 cm)		

Equipment Characteristics

<u>Video Display Monitor</u>	<u>Audio System</u>	<u>Currency Acceptors</u>
Standard Resolution (15.7 KHz) RGB 25" (64 cm) CRT	2 Channel Audio 2 Full Range Speakers	Standard Coin Door 2 Coin Mechanisms, DBV ready 1 Coin Counter

Game Characteristics

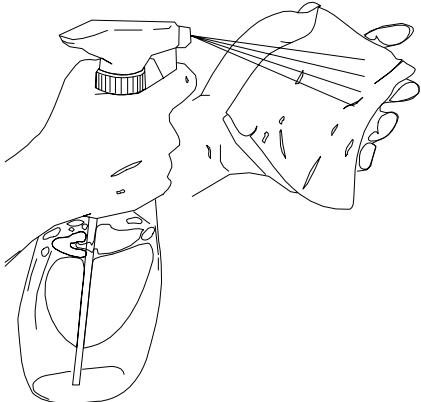
<u>Player Variables</u>	<u>Operator Variables</u>	<u>Diagnostics</u>
1 to 4 players per game (with Linking) Choice of Character Character Profile Memory	Coinage, Play Mode, Difficulty, Volume, Audits, Statistics	Automatic Power-Up Test Manual Multi-Level Menu System

PRODUCT CONFIGURATION

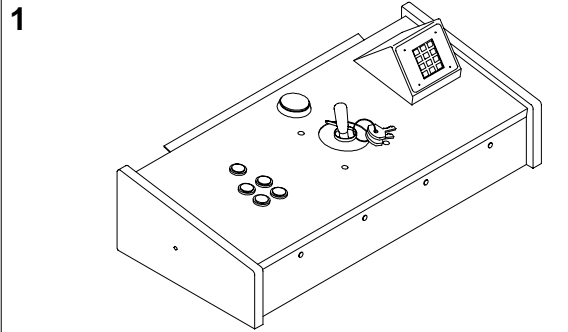
- **Stand Alone Units**

Each game is ready to play right out of the box. Operators may use the screens in the Menu System to determine some player variables in advance or leave the choices up to the players.

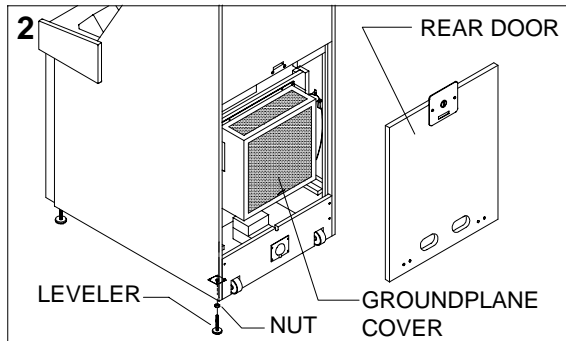
MAINTENANCE

 <ul style="list-style-type: none">•	<ul style="list-style-type: none">• Viewing Glass It is not necessary to switch off AC power to clean glass. Apply a mild glass cleaner to a clean cloth or sponge. Use this to wipe viewing glass. <i>Do not apply cleaner directly on glass!</i> Liquid could drip onto switch or control circuits and cause erratic game operation.• Player Controls Use plastic-safe non-abrasive cleaners. Apply cleaner to a clean cloth or sponge. Use this to wipe player controls. <i>Do not apply cleaner directly on controls!</i>• Cabinet Use plastic-safe non-abrasive cleaners to avoid damage. Apply cleaner to a clean cloth or sponge. Use this to wipe seat or cabinet. <i>Do not apply cleaner directly on artwork or cabinet!</i>
---	---

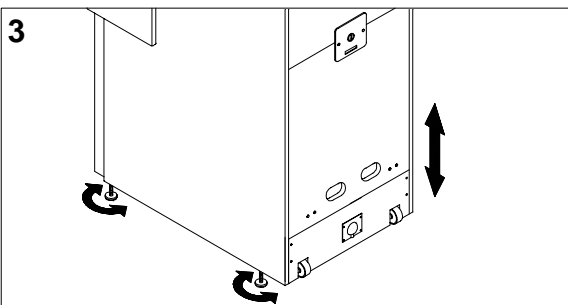
HARDWARE SETUP



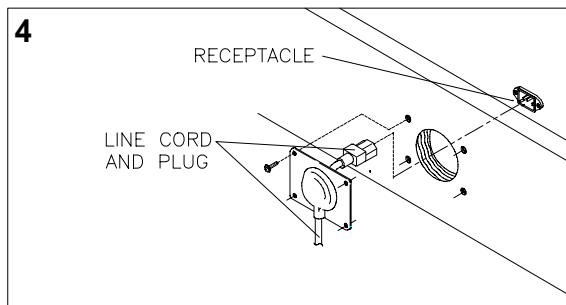
1
 Remove items from shipping container. Inspect cabinet exterior for damage. Remove coin door key from joystick. Unlock and open coin door. Locate rear door and coin vault keys on key hook behind coin door. Locate electrical cords and spare parts in cash tub in coin vault.



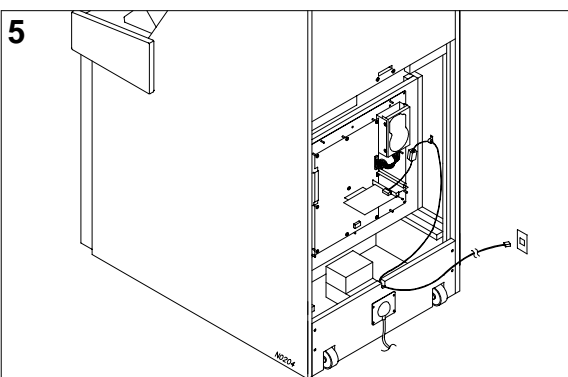
2
 Unlock, remove and set aside rear door. Remove groundplane cover. Ensure major assemblies and cable connectors are mounted securely and fan airflow is unobstructed. Do not force connectors. Tilt cabinet to locate four threaded holes on bottom. Install leveler and nut into each hole, but do not tighten yet.



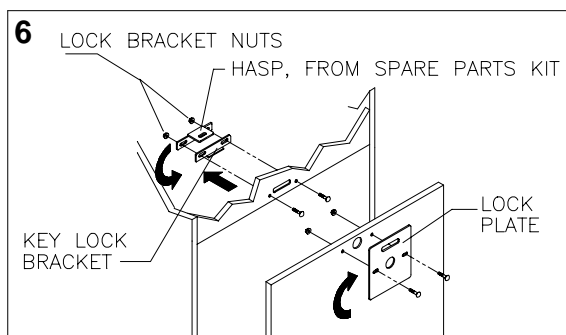
3
 Stand cabinet upright and make certain it is in a stable position. Move game to its intended location and level the cabinet. Game is intended for use only in a fixed position. Ensure that final adjustment raises game so swivel caster wheels do not touch the floor. Distribute weight equally on each corner and tighten leveler nuts.



4
 Remove and save four screws from line cord cover plate at cabinet rear. Remove cover plate. Match holes on IEC plug with prongs in receptacle and push firmly to seat line cord. Hold cord flat against cabinet and reinstall cover plate (indentation points down so cord exits toward bottom of cabinet).

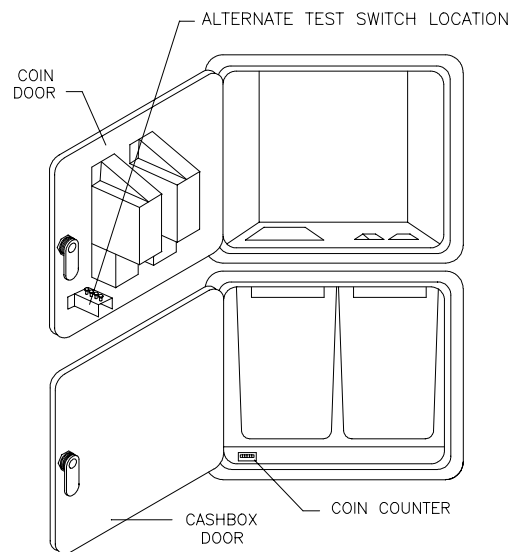
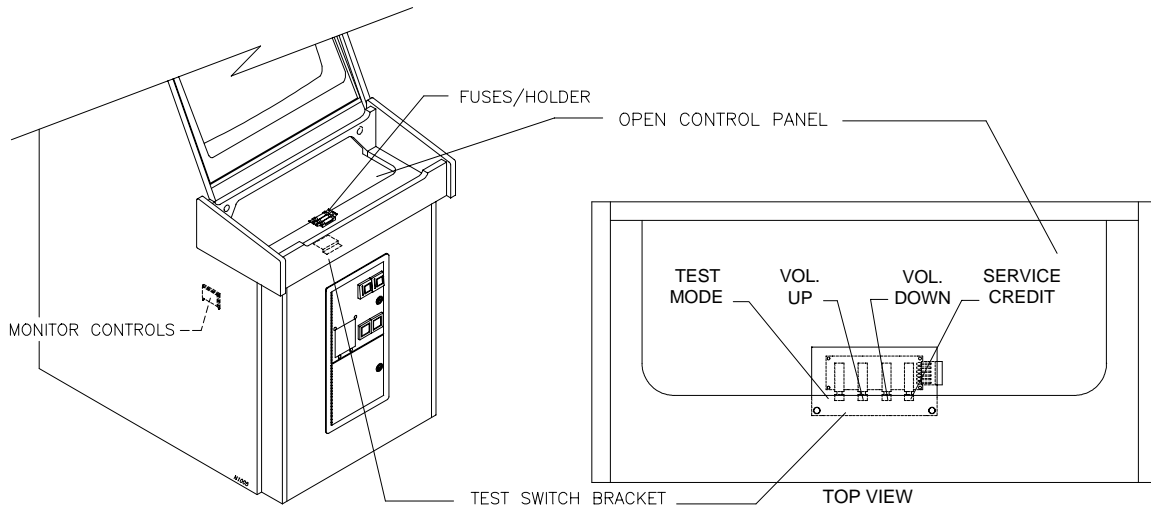


5
 Uncoil telephone cable inside cabinet. Run cable through notch in cabinet rear and plug into working telephone jack. Replace groundplane cover, taking care not to pinch wires or cables. Replace and lock rear door.



6
 To install your own padlock to further secure rear door, remove lock bracket nuts from inside cabinet, above rear door opening. Reverse hasp so it protrudes from hole in back of cabinet. Reinstall nuts. Remove nuts from rear door and flip metal plate so hole extends above top of door. Reinstall nuts and door.

SOFTWARE SETUP



Note: If battery-backed up RAM is reinitialized (as when power is turned on for the very first time) you will see a Calibrate Pot screen with an explanation of how to calibrate.

1. Unlock and open cash door. Press TEST MODE pushbutton on operator control switch panel to enter Menu System. See System Chapter in this manual for more information on system software.
2. When Main Menu appears, follow on-screen instructions to select ADJUST VOLUME. Set game and Attract Mode volume to desired levels.
3. Return to Main Menu and choose TESTS. Then select CONTROLS TEST. Follow on-screen instructions to verify that controls are operational. If no errors are found, controls should function well.
4. Return to Main Menu and select SET DATE/TIME. Follow on-screen instructions to verify correct time for your city.
5. Return to Main Menu screen, then choose EXIT TO GAME. Skins Game automatically enters Attract Mode.
6. Insert currency or tokens and play a game. Change the volume with the pushbuttons behind cash door and make any other desired adjustments.
7. Close and lock cash door