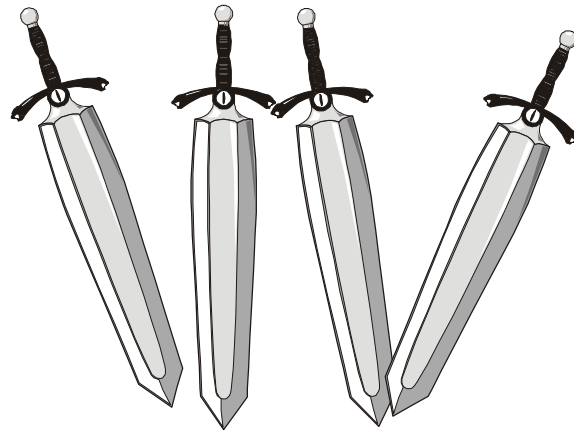


GAUNTLET DARK LEGACY

CHAPTER

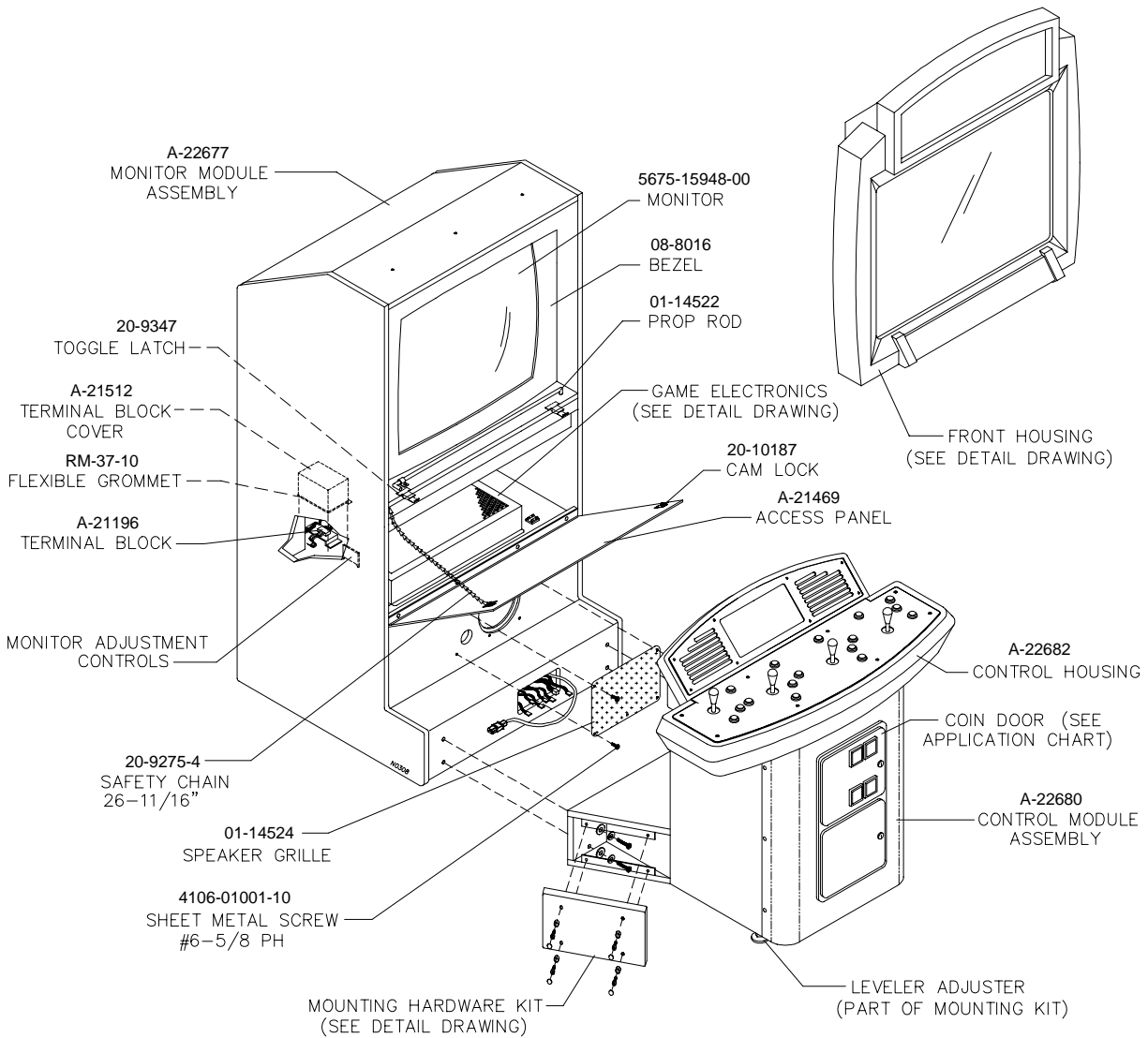


Parts



NOTICE: Information in this manual may change without notice. Midway Games West Inc. reserves the right to make improvements in equipment function, design, or components as progress in engineering or manufacturing methods may warrant.

CABINET FRONT VIEW (36247)



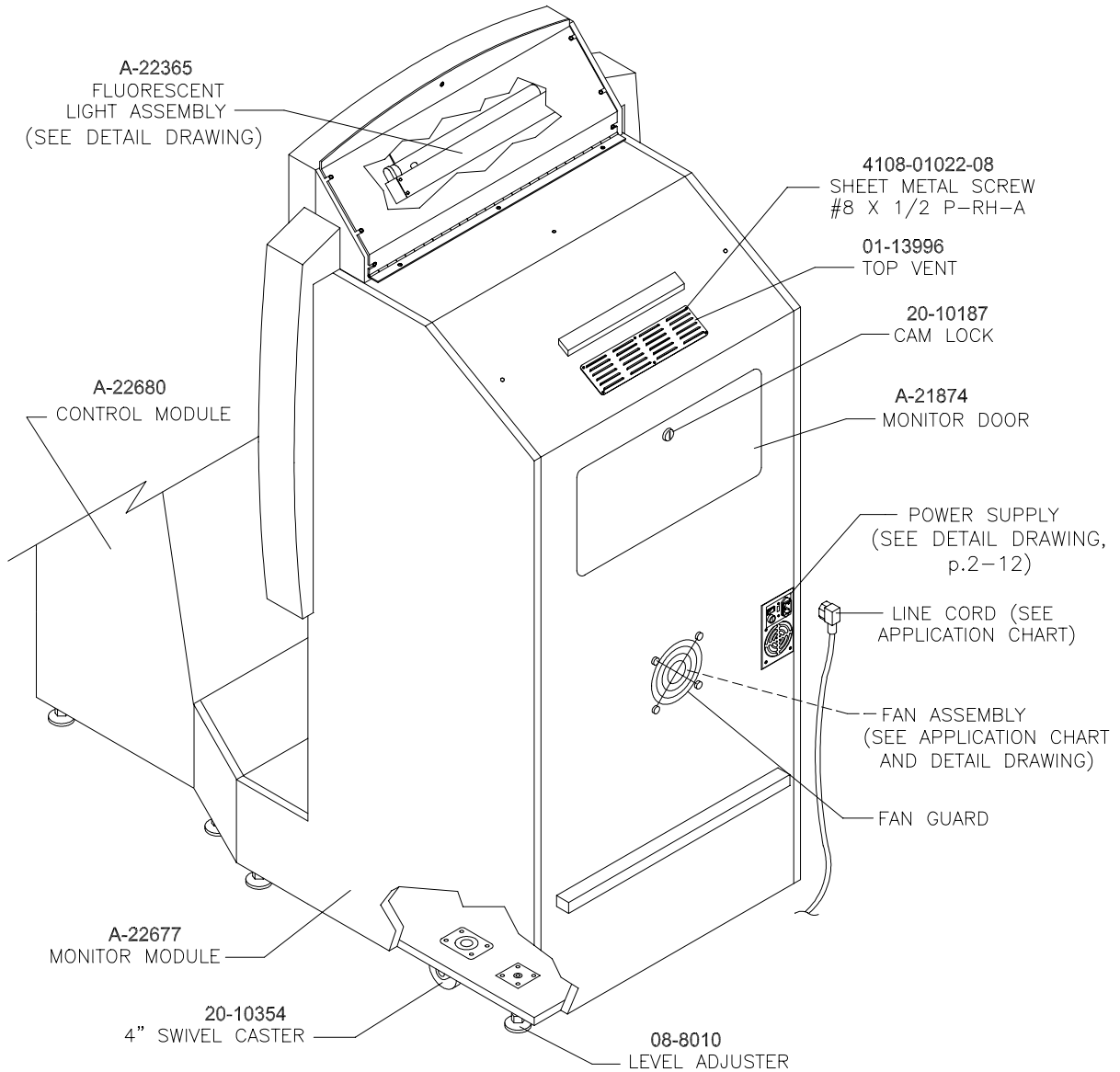
MONITOR MODULE HARDWARE NOT SHOWN:

4020-01070-20	MS 1/4-20x1-1/4 HH	4324-01207-24	BOLT 5/16-18x1-1/2
4020-01100-20	TR 1/4-20x1-1/4 CS	4406-00128-00	NUT 6-32 KEPS
4106-01001-10	SMS #6x5/8 P-PH	4408-01128-00	NUT 8-32 KEPS
4106-01115-12	SMS #6x3/4 PL-HWH	4410-00129-00	NUT 10-32 KEPS UNF
4106-01188-32	SMS #6x2 P-FLH	4420-01128-00	NUT 1/4-20 KEPS
4108-01022-08	SMS #8x1/1 P-RWH	4425-01135-00	NUT 5/16-18 JAM
4108-01193-10B	SMS #8x5/8 TRX-TR	4700-00032-00B	FW .265x.625x.067 BLK
4108-01219-11	SMS #8x11/16 PINHD-AB SPCL	4700-00034-00	FW .265x.875x.067
4208-01203-20	WS 8x1-1/4 PH-RWH	4700-00091-00	FW .343x.875x.059
4310-01136-20B	BOLT 10-32x1-1/4 CB	4700-00129-00	FW .203x.468x.030
4320-01123-20B	BOLT 1/4-20x1-1/4 CB	4701-00016-00	LW 5/16 SPLIT

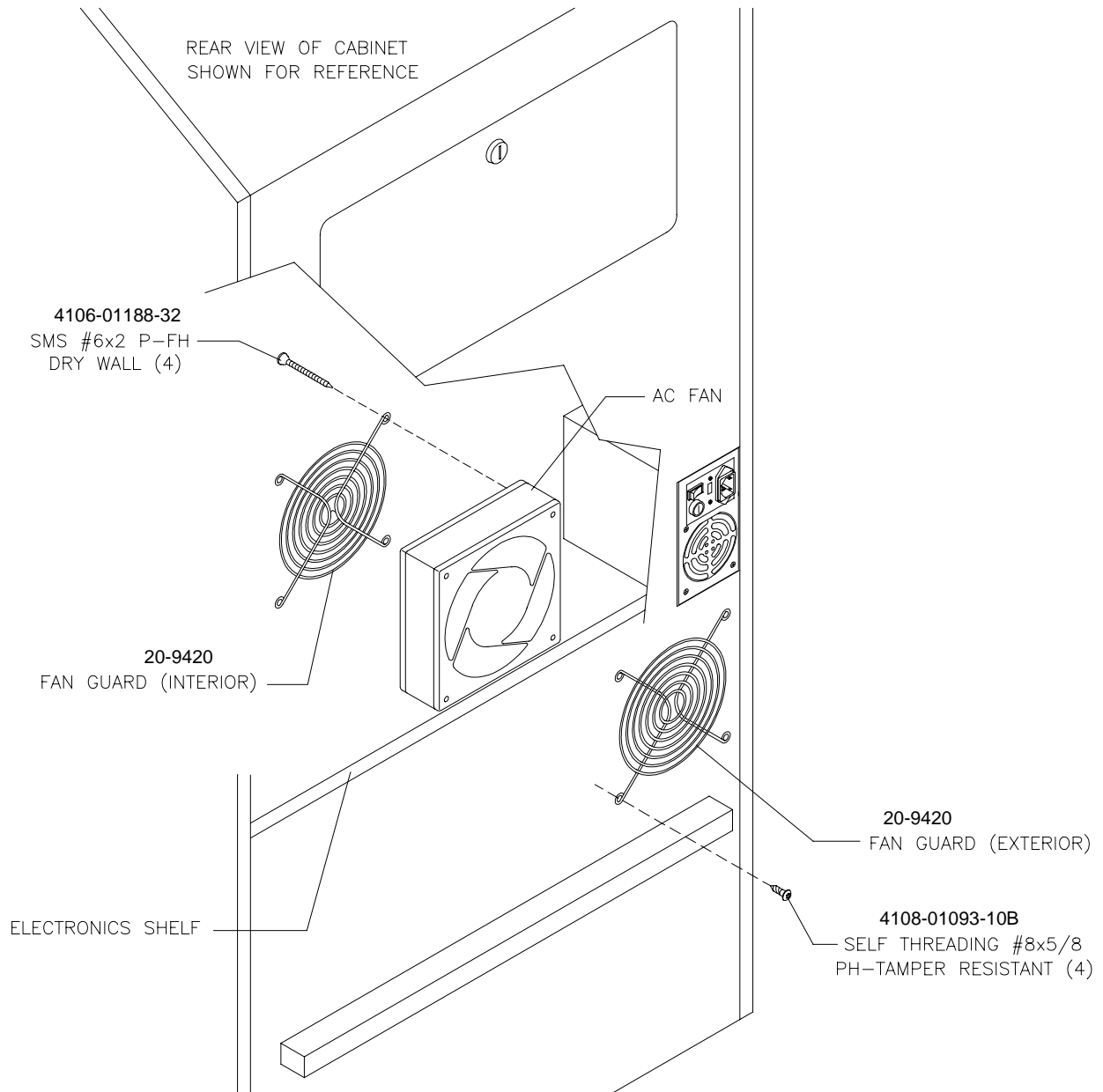
CONTROL MODULE HARDWARE NOT SHOWN:

4020-01070-16	MS 1/4-20x1 HH	4700-00032-00B	FW .265x.625x.067
4108-01219-11	SMS #8x11/16 PINHD-AB SPCL	4700-00034-00	FW .265x.875x.067
4320-01123-24B	BOLT 1/4-20x1-1/2 CB	4700-00131-00	FW .380x.875x.059
4322-01070-20	MS 3/8-16x1-1/4 HH	4701-00005-00	LW 1/4 SPLIT
4408-01128-00	NUT 8-32 KEPS	4701-00006-00	LW 3/8 SPLIT
4420-01128-00	NUT 1/4-20 KEPS		

CABINET REAR VIEW



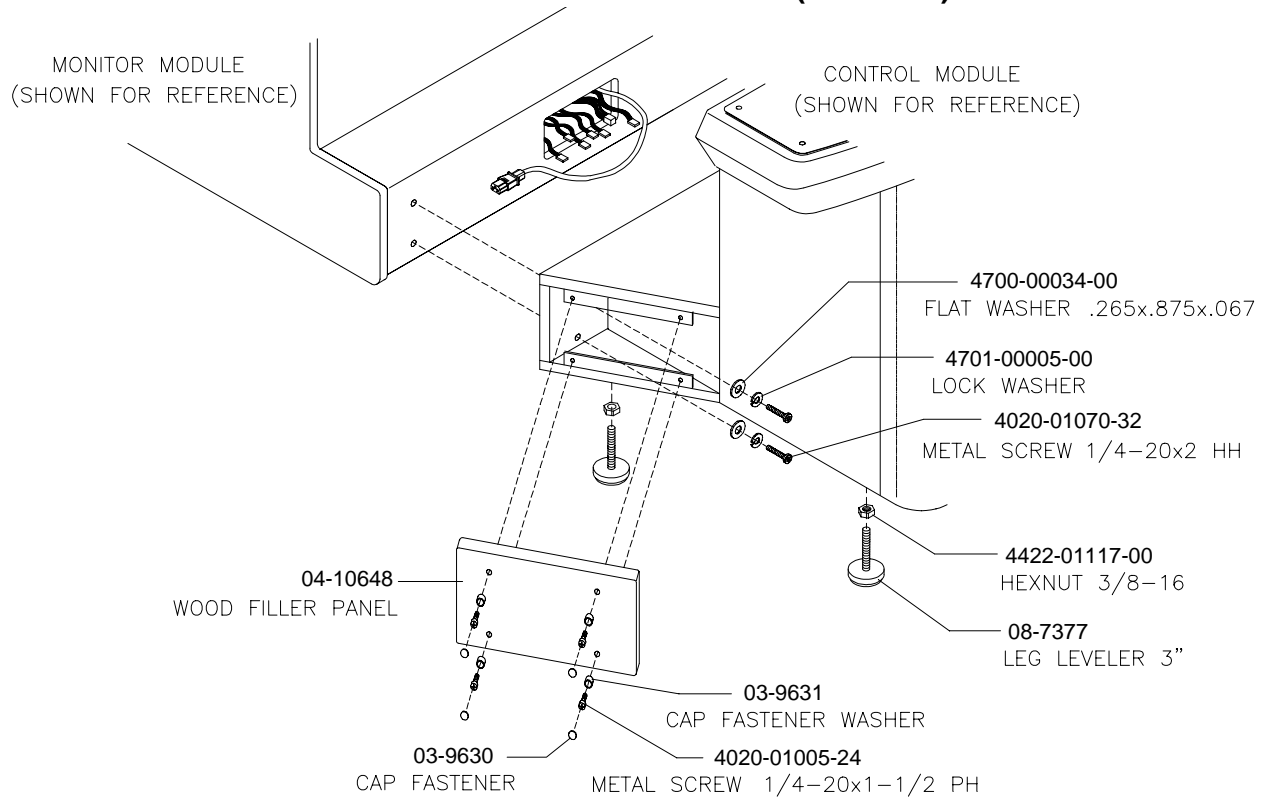
FAN ASSEMBLY



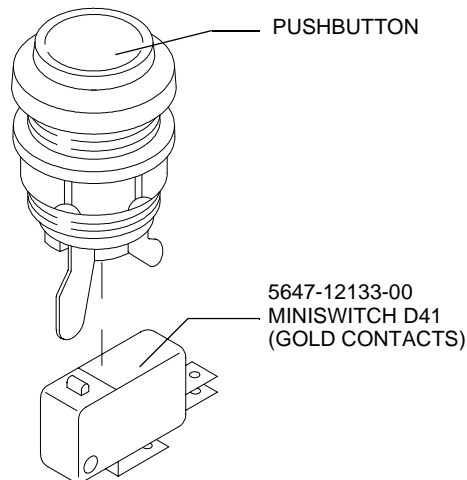
FAN APPLICATION CHART

20-10234 AC Fan	250V 50/60Hz Ball Bearing (UK)
20-10399 AC Fan	110V Ball Bearing (USA)
20-10399) AC Fan	110V Ball Bearing (Japan)

MOUNTING HARDWARE KIT (A-22681)

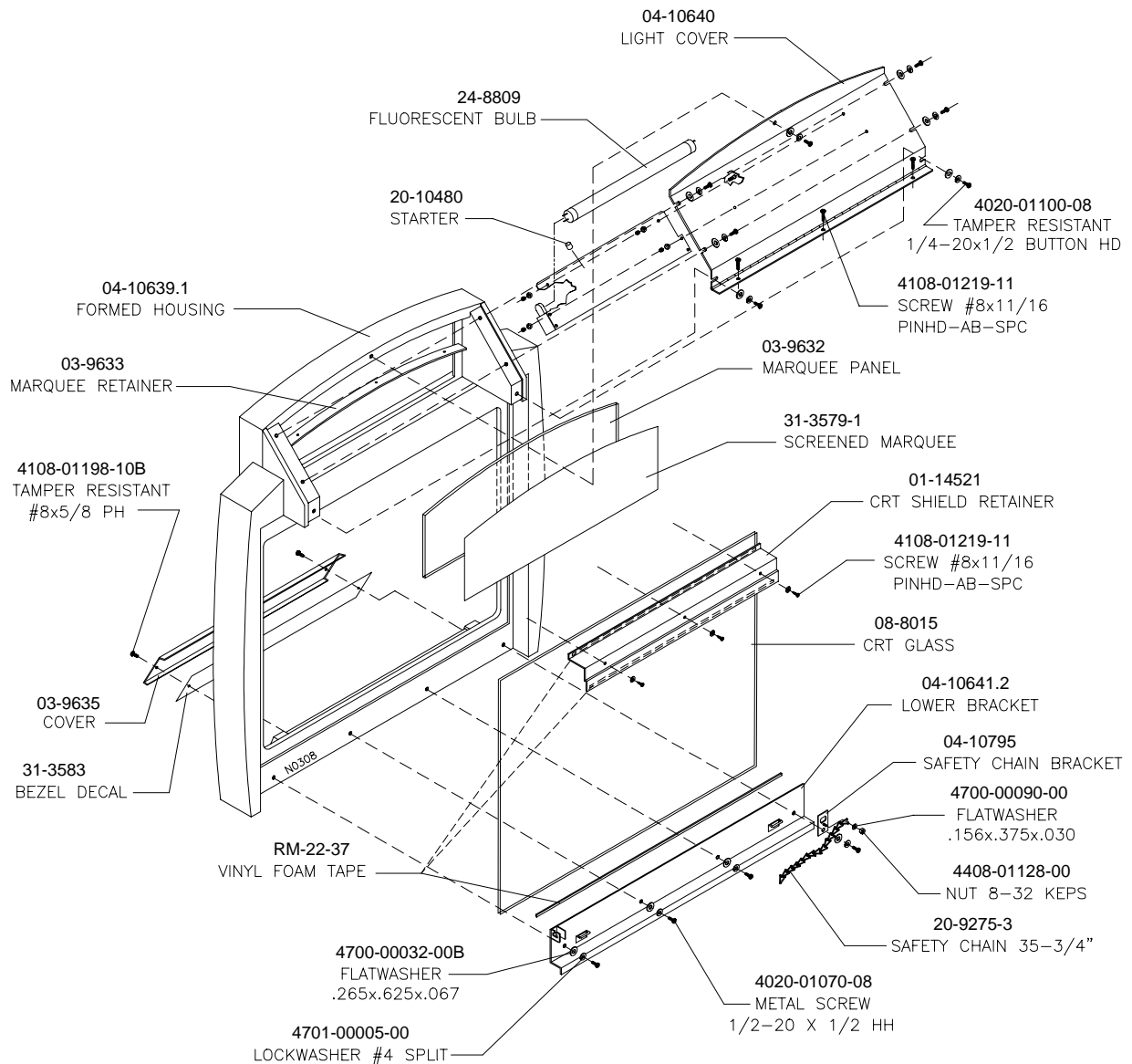


PUSHBUTTON ASSEMBLY

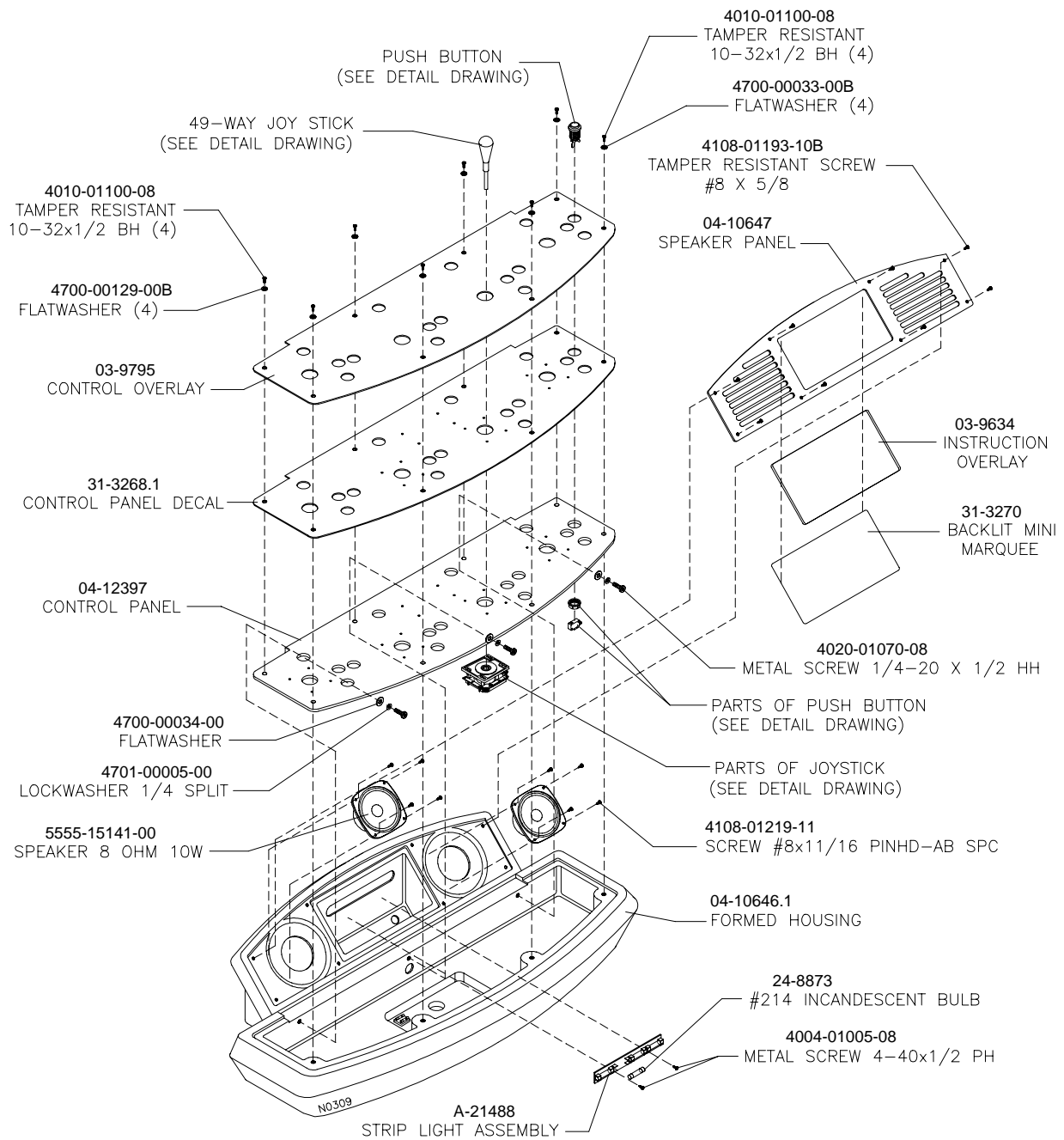


Part No.	Description	Quantity
20-10209-1	Pushbutton, long shaft, red	4
20-10209-3	Pushbutton, long shaft, blue	4
20-10209-4	Pushbutton, long shaft, green	4
20-10209-5	Pushbutton, long shaft, yellow	4

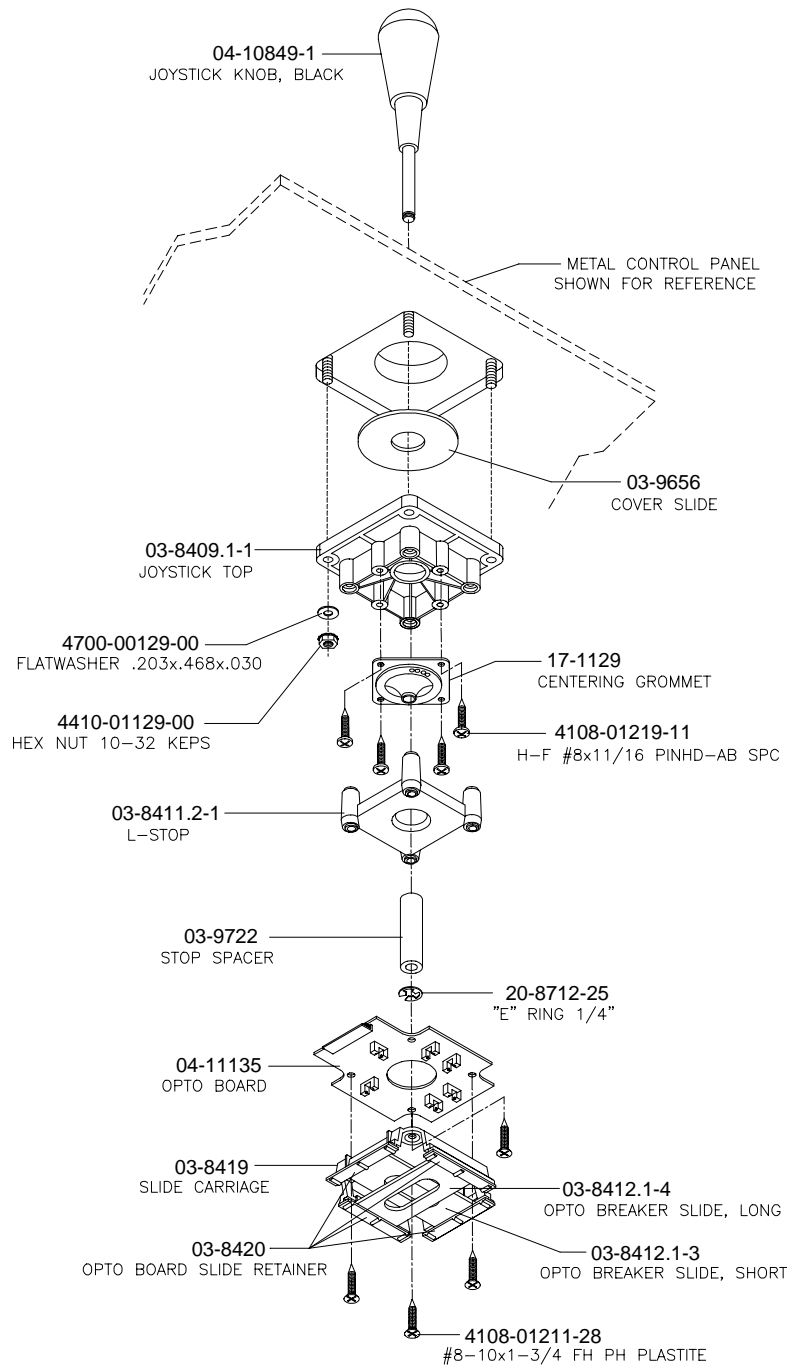
FRONT HOUSING ASSEMBLY (A-22679)



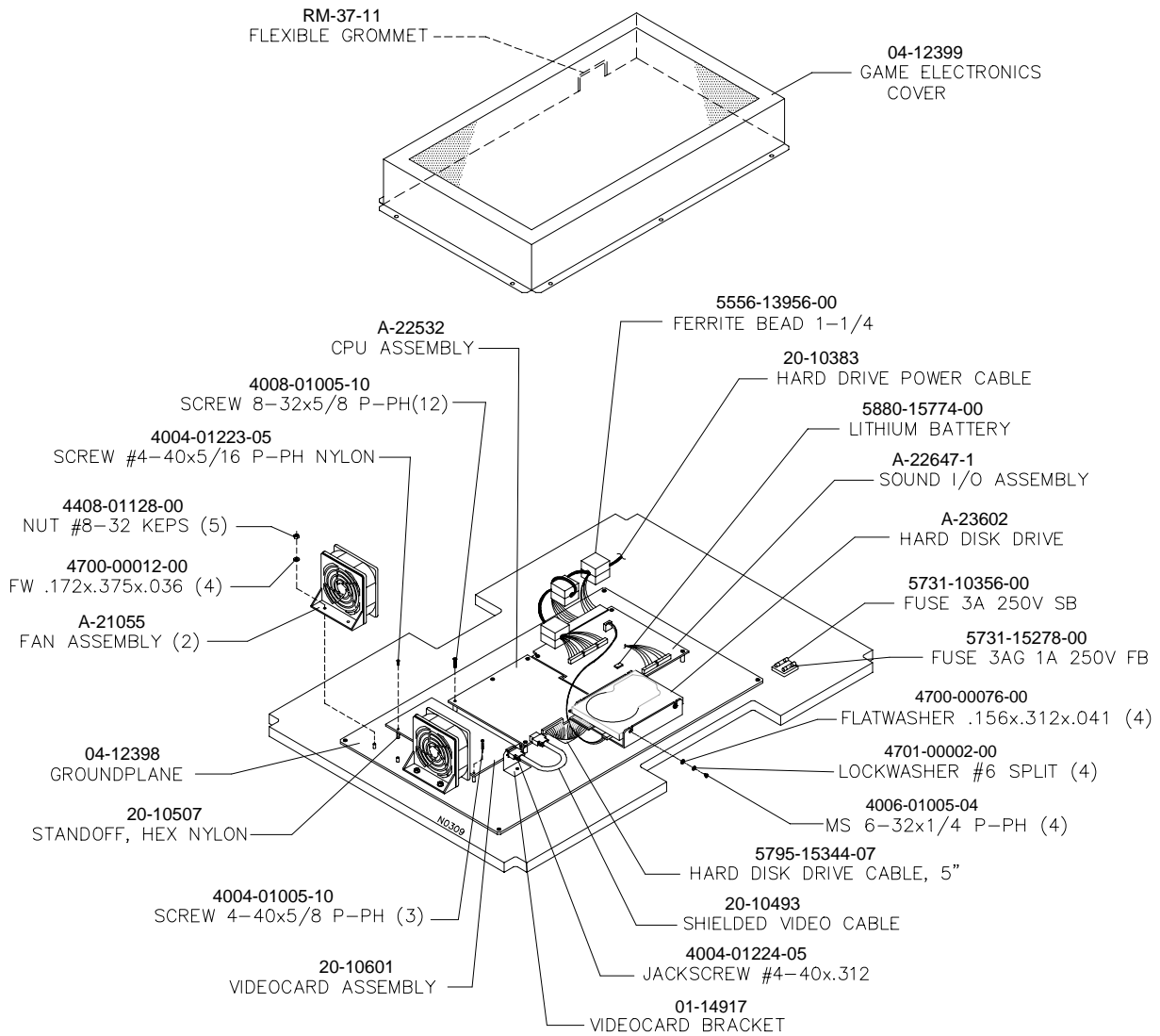
CONTROL PANEL AND HOUSING ASSEMBLY (A-22682-36247)



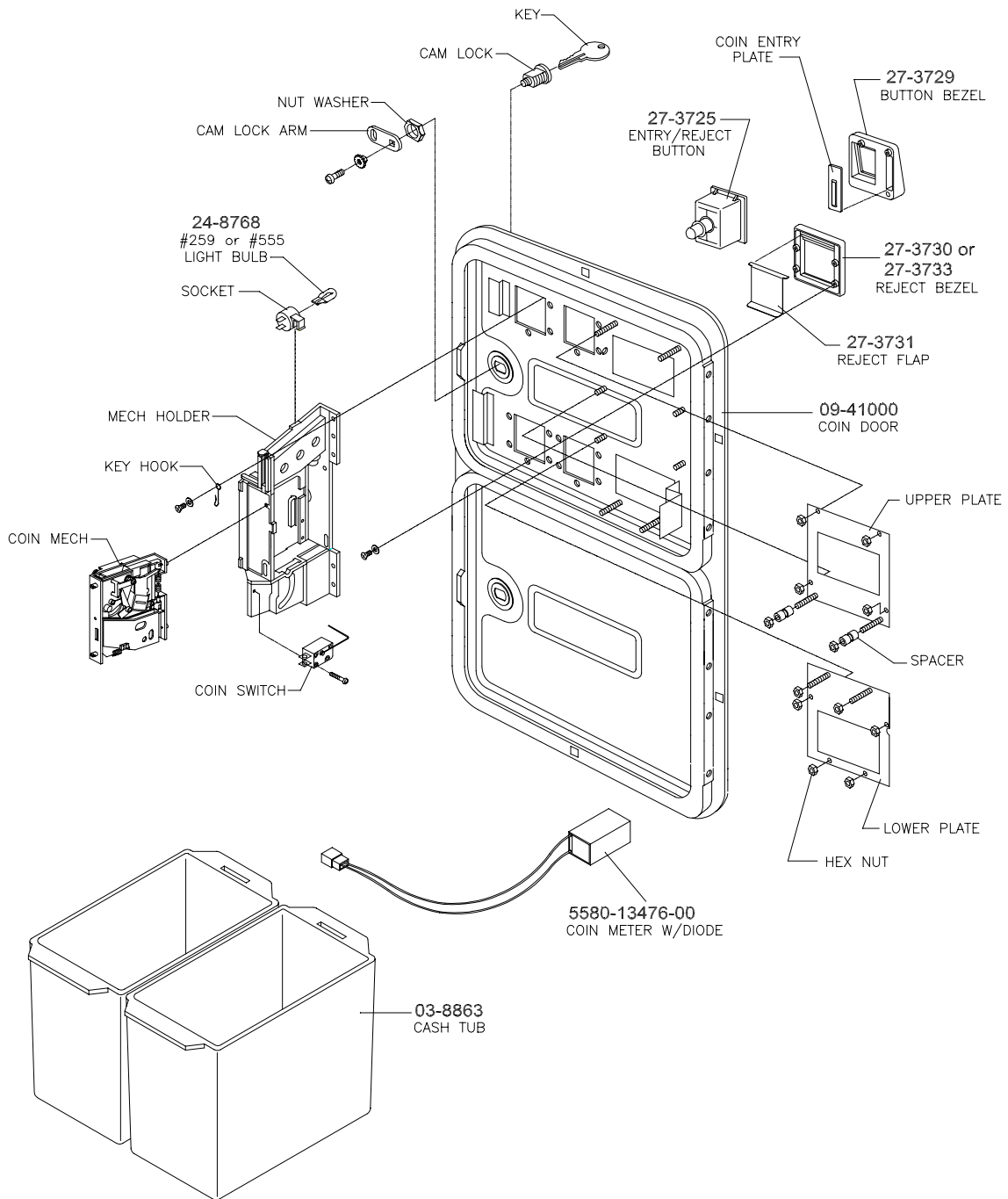
49-WAY JOYSTICK ASSEMBLY (A21939-1)



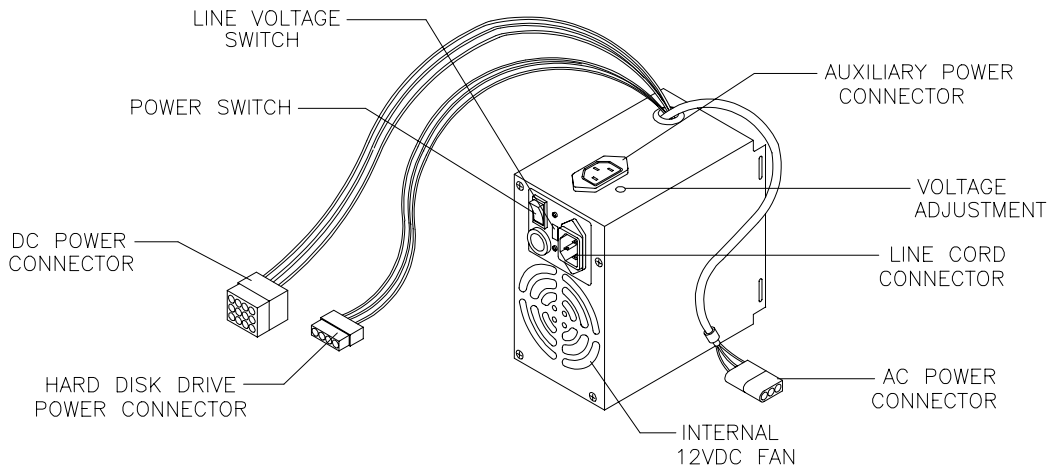
ELECTRONICS ASSEMBLY (A-22678-36247)



COIN DOOR



POWER SUPPLY ASSEMBLY (20-10400.1)



A.C. AUXILIARY POWER CONNECTOR			D.C. MAIN POWER CONNECTOR			HARD DISK DRIVE POWER CONNECTOR		
PINS	FUNCTION	COLOR	PINS	FUNCTION	COLOR	PINS	FUNCTION	COLOR
1	LINE	BLACK	1,2,3	+5 VDC	RED	1	+5 VDC	RED
2	GROUND	GREEN	4,5,6,7,8	RETURN	BLACK	2,3	RETURN	BLACK
3	NEUTRAL	WHITE	9	-5 VDC	BLUE	4	+12 VDC	YELLOW
			10,11	+12 VDC	YELLOW			
			12	-12 VDC	WHITE			

NOTE: Many computer grade power supplies use alternate wire colors. This is acceptable as long as the pinout is correct.

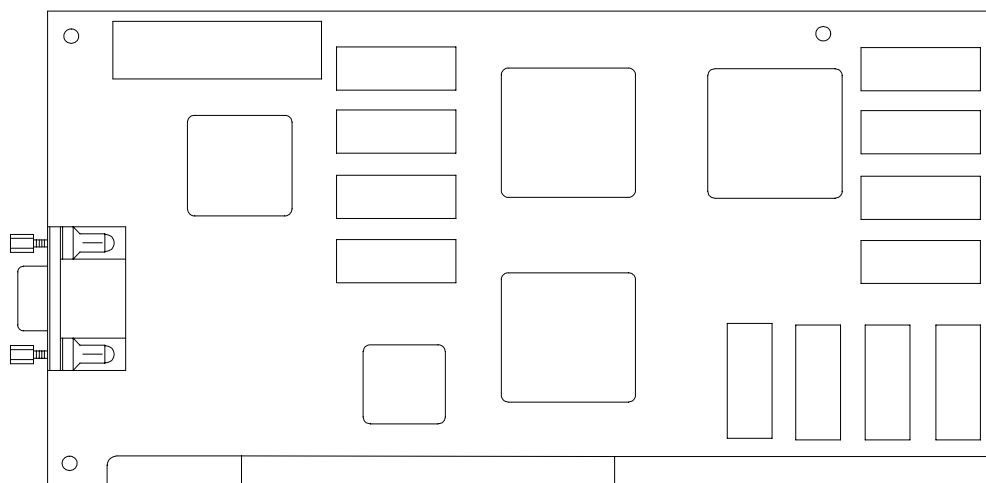
COUNTRY SPECIFIC IEC AC LINE CORDS

5850-15521-01 (USA)

5850-15521-03 (UK)

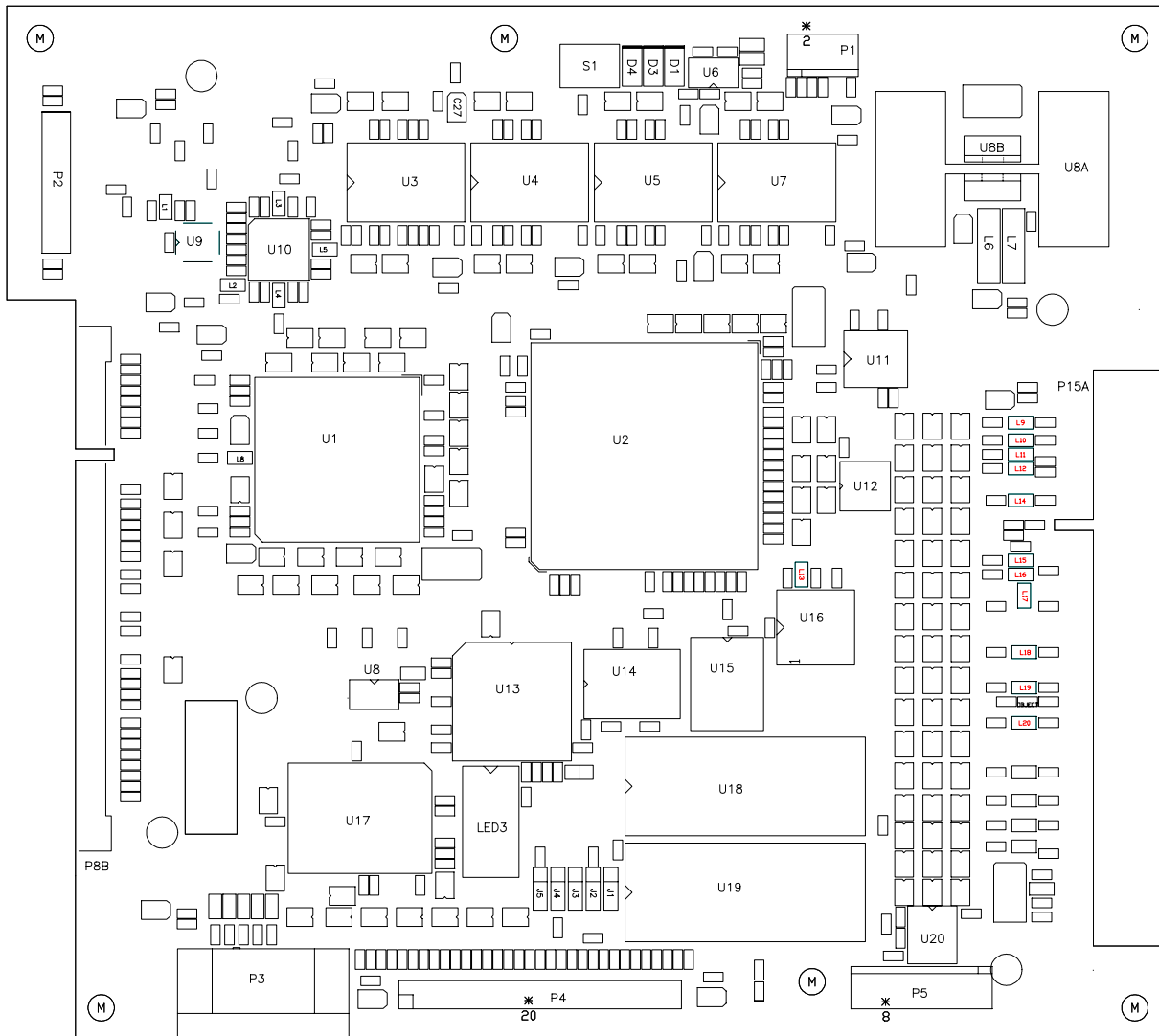
5850-15521-06 (Japan)

VIDEOCARD ASSEMBLY (20-10511)



There are no field replaceable parts in the videocard assembly.

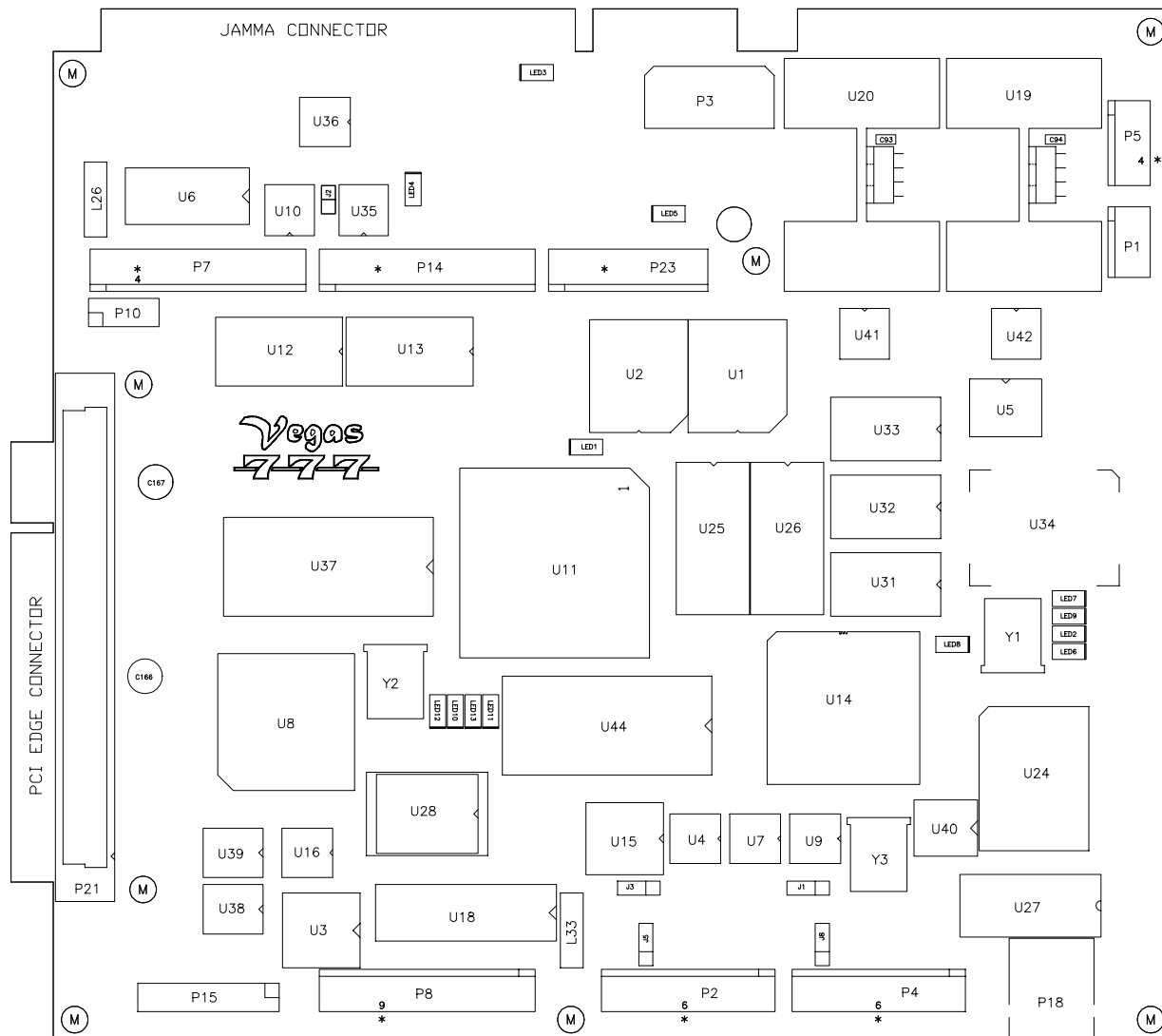
VEGAS CPU BOARD ASSEMBLY (A-22532)



FIELD REPLACEABLE PARTS

Designation	Part Number	Function	Description
U8A	5460-15671-00	+3V Regulator	Voltage Regulator 3.3 BT
U11	A-22545		EPROM 93C46
U13	A-22650	Game Logic Circuit	PAL Assembly
U18	A-5343-30046-1	CPU Boot ROM	EPROM Assembly

VEGAS SOUND I/O BOARD ASSEMBLY (A-22647)



FIELD REPLACEABLE PARTS

Designation	Part Number	Function	Description
U1, U2	5344-15764-00	FIFO Memory Circuit	AM 7201-35JC
U19, U20	5370-14146-00	Audio Amplifier	TDA 7204A
U37	A-23657	Security	PIC Assembly
U44	A-5343-30022-3	Audio Instructions	EPROM Assembly

Other Parts Necessary

Protection

Fuse, 1A, 250V, FB5730-15278-00

Fuse, 3A, 250V, SB5731-10356-00

Fuse, 6.3A, 250V, Type T5731-14529-00

Cables

Control Module Harness Cable H-22704

Main Harness (JAMMA) Cable H-22701

AC Harness Cable H-22048

Light and Speaker Harness Cable H-21487

Fluorescent Light Cable H-22050

Hard Disk Drive Ribbon Cable 5795-15344-07

Ground Wire H-21672

Pod Harness Cable H-22703

Documents

Game Manual 16-30047-101

Other Items

T-20 Tamper-Resistant Wrench 20-9620

T-25 Tamper-Resistant Wrench 20-10144

T-27 Tamper-Resistant Wrench 20-10140

Light Bulb #555 6.3V24-8768