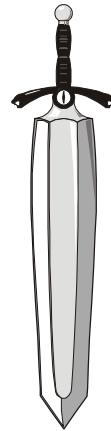


GAUNTLET DARK LEGACY

CHAPTER












Setup



NOTICE: Information in this manual may change without notice. Midway Games West Inc. reserves the right to make improvements in equipment function, design, or components as progress in engineering or manufacturing methods may warrant.

Safety Notices

The following safety instructions apply to all operators and service personnel. Specific warnings and cautions appear throughout this manual. Read this page before preparing your game for play.

	CAUTION: The hard disk drive must be packed in an anti-static bag and in an approved shipping container (P/N 08-8068) in order to be sent in for repair or replacement. Do not stack or drop hard disk drives during installation or removal.
	CAUTION. Transport machine securely, as it contains glass and fragile electronic devices. Avoid rough handling and never move cabinet while power is on.
	CAUTION. Verify switch on the power supply is set for 110VAC or 220VAC according to local line voltage. Verify fluorescent lamp is correct for local voltage.
	WARNING. Avoid electrical shocks. Do not plug in line cord until machine has been inspected and properly grounded. Use only a fixed-location grounded 3-wire outlet. Do not use a "cheater" plug or cut off ground pin on line cord
	WARNING. This video game machine has no isolation transformer. There is no isolation between the internal cabinet AC system and the external AC line.
	WARNING. To avoid electrical shock, turn off power switch and disconnect from AC power source before removing or repairing any component. After servicing, ensure all ground wires are secure before restoring power.
	NOTICE. Ensure proper mating of all connectors. If a connector does not slip on easily, do not force. Reversed connectors may damage your machine and void the warranty. Connectors are keyed to fit specific pins on each board.
	WARNING. To avoid electrical shock, all replacement fuses must match the type, voltage rating, and current rating of the original fuse.
	WARNING. A dropped fluorescent tube or CRT can break and explode, shattering glass eight feet or more from the point of impact. Handle all glass parts carefully.

EPILEPSY WARNING

A very small portion of the population has a condition which may cause them to experience epileptic seizures or have momentary loss of consciousness when viewing certain kinds of flashing lights or patterns that are present in our daily environment. These persons may experience seizures while watching some kinds of television pictures or playing certain video games. People who have not had any previous seizures may nonetheless have an undetected epileptic condition.

If you or anyone in your family has experienced symptoms linked to an epileptic condition (e.g., seizures or loss of awareness), immediately consult your physician before using any video games.

Parents should observe their children while they play video games. If you or your child experience the following symptoms: dizziness, altered vision, eye or muscle twitching, involuntary movements, loss of awareness, disorientation, or convulsions, DISCONTINUE USE IMMEDIATELY and consult your physician.

Product specifications

Operating Requirements		
Electrical Power Domestic 120VAC @ 60Hz 3.0 Amps Foreign 230VAC @ 50Hz 2.0 Amps Japan 100VAC @ 50Hz 3.0 Amps	Temperature 37°F to 100°F (3°C to 38°C)	Humidity Not to exceed 95% relative
Cabinet Statistics		
Shipping Dimensions Width 28.5 in (72.4 cm) Depth 43.5 in (111 cm) Height 74.0 in (188 cm)	Shipping Weight 486 lbs (221 kg)	Design Type Dedicated video game machine with 49-way optodetector joysticks
Equipment Characteristics		
Video Display Monitor Medium resolution RGB 27 in (68.5 cm) CRT	Audio System 2 channel audio 2 full range speakers	Currency Acceptors Standard coin door 2 coin mechanisms, DBV ready 1 coin counter
Game Characteristics		
Player Variables 1 to 4 players per game High score recognition	Operator Variables Coinage, game options, difficulty, volume, demo mode, audits, statistics	Diagnostics Automatic power-up test Manual multi-level Menu System

MAINTENANCE

Viewing Glass

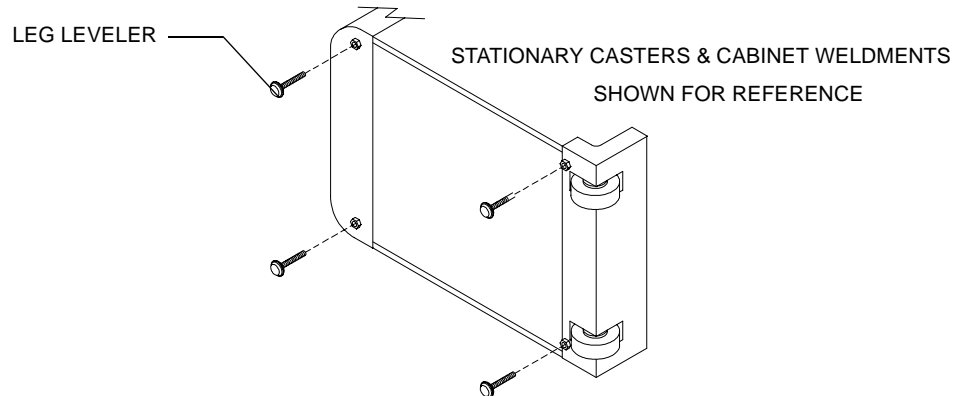
You need not switch off AC power to clean the glass. Apply a mild glass cleaner to a clean cloth or sponge, then use this to wipe the viewing glass. Do not apply cleaner directly onto glass. Liquid could drip down into video game machine circuits or onto detectors and cause erratic operation.

Cabinet

Use plastic-safe non-abrasive cleaners to avoid damage. Apply cleaner to clean cloth or sponge, then use this to wipe the controls or cabinet. Do not apply cleaner directly on controls or cabinet.

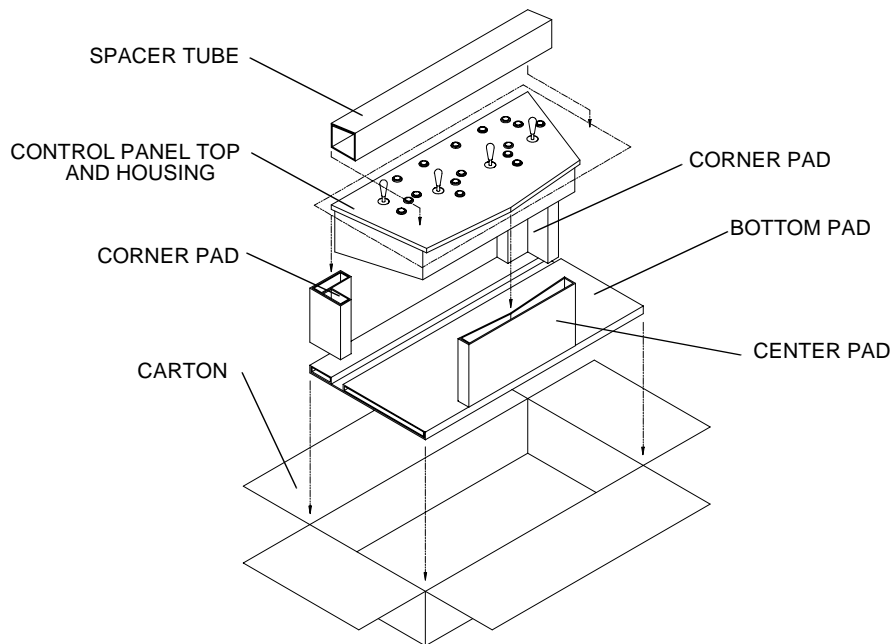
INSTALLATION AND INSPECTION

1. Remove packing material and set control panel box aside. Inspect cabinet exterior for signs of damage.
2. **KEYS** Reach down through control panel opening into front of cabinet and remove keys from hook on coin door. Unlock and open coin and cash box doors. Electrical cords, spare parts, levelers, mounting hardware, tools, and other items are packed in cash box.
3. Move cabinet to intended location. Ensure vent holes at rear of cabinet are not blocked or next to heat registers. Adjust leg levelers as necessary to stabilize cabinet and raise wheels above floor. Distribute weight equally on each corner Use cabinet in fixed position only.



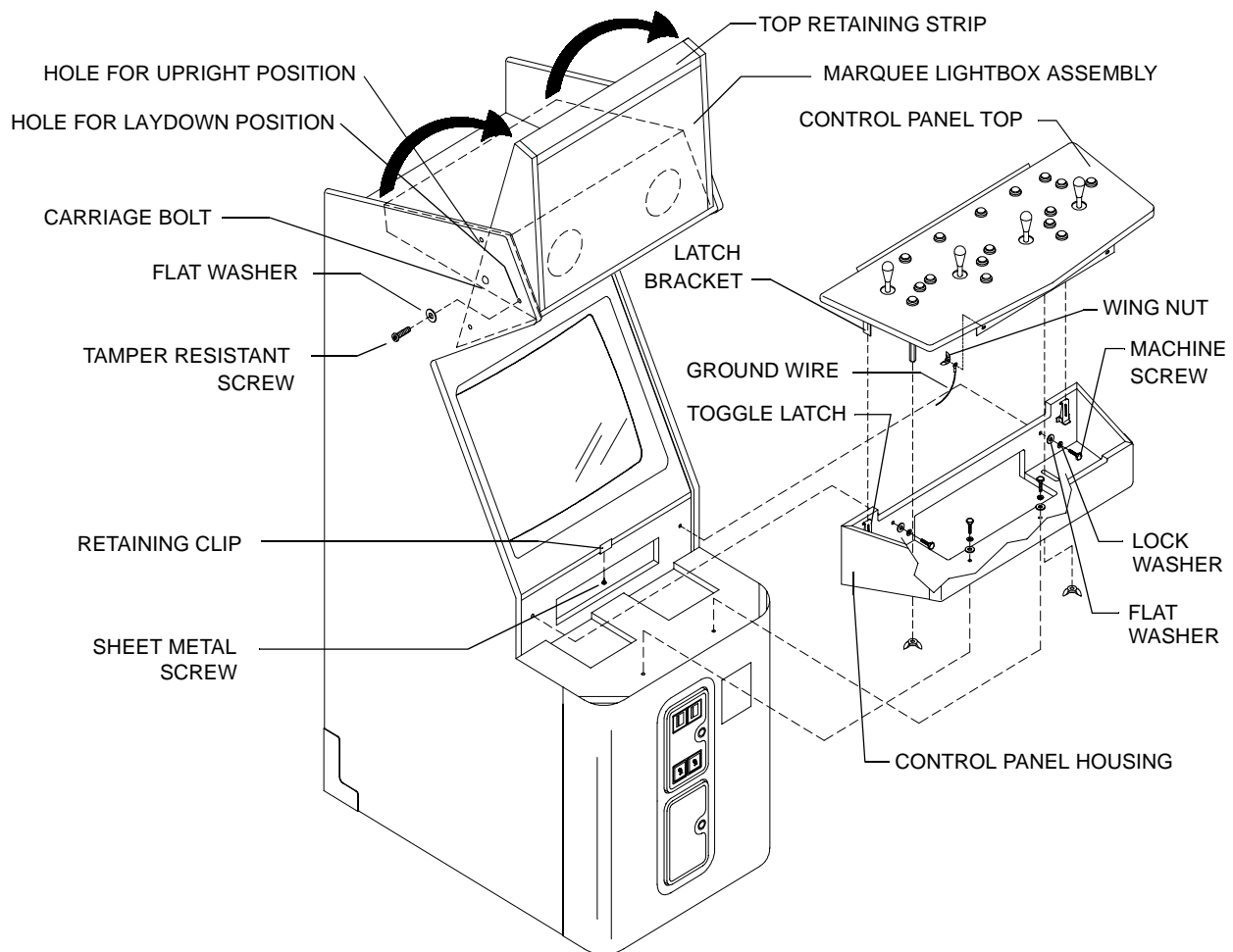
CASTERS AND LEG LEVELERS UNDER CABINET

4. **CONTROL PANEL** Place carton containing control panel on floor face down. Open container carefully and remove packing material. Inspect control panel for signs of damage.
5. Lift control panel assembly from box and set on its front side. Remove wing nuts from bolts protruding from underside of control panel and retain them for reinstallation.



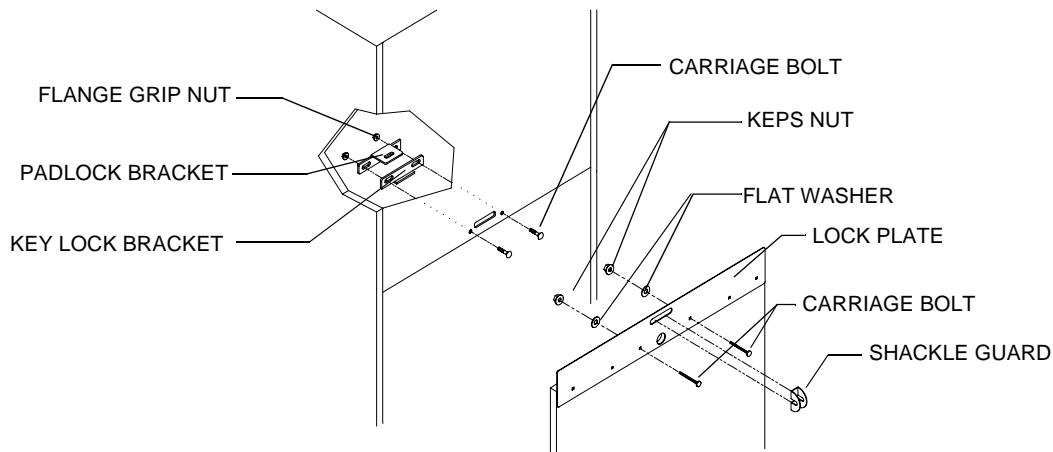
CONTROL PANEL HOUSING ASSEMBLY PACKAGE

6. Reach into control panel from underside and open latches that hold control panel top to control panel housing. Leave panel closed until it is installed on cabinet.
7. Place control panel assembly on cabinet ledge. Slide control panel housing toward monitor. Align gasketed control panel bracket with bottom of viewing glass.
8. Lift control panel and hold it open. Align mounting screw holes in control panel box with those in cabinet. Use four ¼-20 hex-head bolts, flat washers, and lock washers in spare parts kit to secure control panel to cabinet. Tighten bolts firmly.
9. Remove retaining clip at bottom center of the viewing glass. Reinstall screw in mounting hole. Keep clip with spare parts for reinstallation when relocating cabinet.
10. **WIRING** Mate control panel wiring harness connectors with main wiring harness connectors. Attach control panel ground wire to hinge assembly with wing nut. Close control panel. Reach up through open coin door to secure and fasten latches at sides of control panel.
11. Reach through coin door and locate threaded ends of control panel attachment bolts. Install a wing nut on each bolt where it protrudes through control panel housing into cabinet. Hand-tighten nuts snugly.
12. **MARQUEE** Locate T-27 tamper-resistant fastener wrench in spare parts kit. Remove and retain screws and washers from either side of top of cabinet. Pivot marquee lightbox assembly upright. Reinstall screws and washers through top of cabinet into lower lightbox holes. Do not overtighten screws.



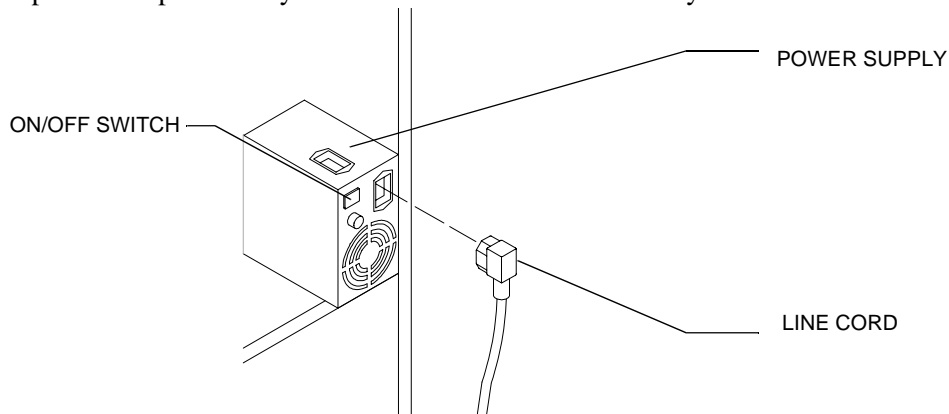
CONTROL PANEL AND MARQUEE SETUP

- ELECTRONICS** Remove rear door. Inspect cabinet interior for signs of damage. Check all major assemblies to ensure secure mounting. Clear path to allow open airflow from fan.
- SECURITY** To install an extra padlock to secure the rear door, remove lock bracket nuts from inside cabinet. A hasp is attached inside cabinet above rear door. Reverse hasp on bolts so it protrudes through slot in back of cabinet. Reinstall nuts. Hold shackle guard in place over hasp when installing lock. Order an extra shackle guard and install it over the game electronics hasp for additional security.



HASP BRACKET AND LOCK PLATE ASSEMBLY INSTALLATION

- AC POWER** Find the power cord in the spare parts kit. Match holes on IEC plug with the prongs in receptacle and push firmly to seat line cord. Route cord away from areas of foot traffic.



LINE CORD INSTALLATION

- Refer to Main Cabinet Wiring Diagram on page 51 and check that all cable connectors are correctly secured. Inspect for damaged connectors. Avoid forcing connectors or reversing connections.
- Plug line cord into grounded (3-terminal) wall outlet. Switch AC power on using the ON/OFF switch on the power supply. The game powers up and begins self-diagnostics. If there are no errors, Attract Mode begins.
- POP** For added visibility, slide the POP display artwork (“Check Me Out”) into the plastic holder.
- Remove adhesive backing from bottom of holder and center on top of marquee top retaining strip. Or remove center screw on top of retaining strip and remove adhesive tape from bottom of holder. Slide holder under retaining strip.