



## CHAPTER FOUR

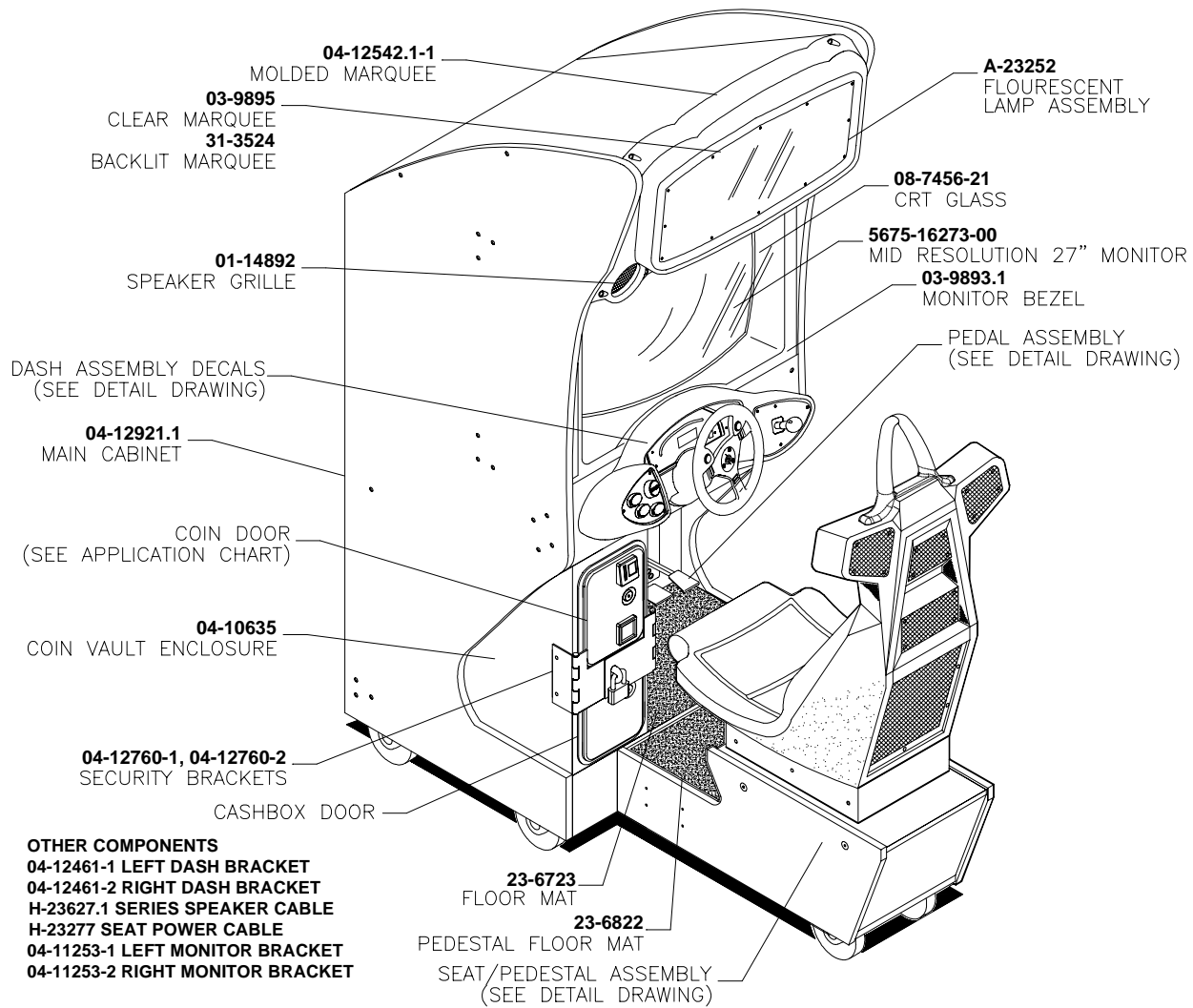
### PARTS



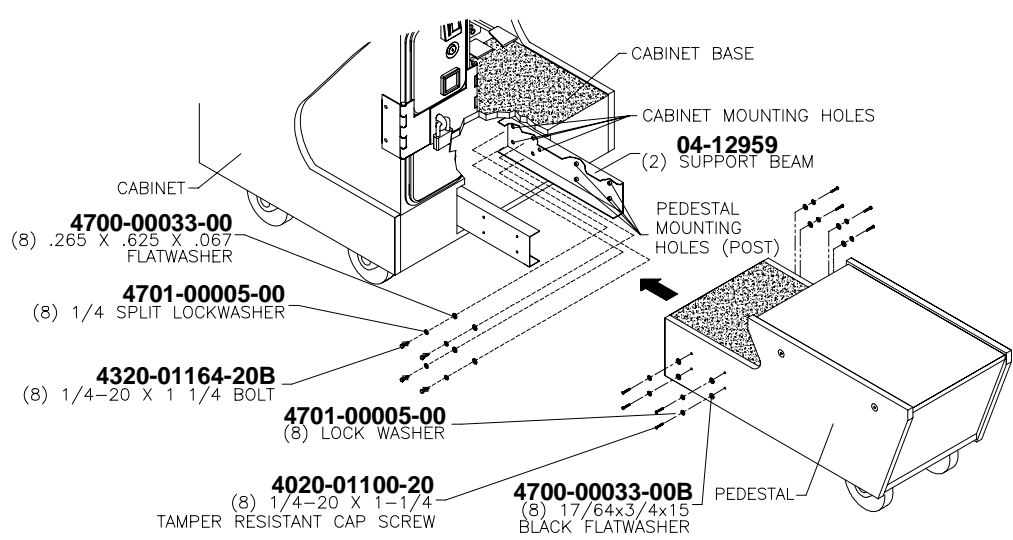
**WARNING:** Use of Non-Midway parts or circuit modifications may cause serious injury or equipment damage! Use only Midway authorized parts.

- For safety and reliability, substitute parts and modifications are not recommended.
- Substitute parts or modifications may void EMC directive or FCC type acceptance.

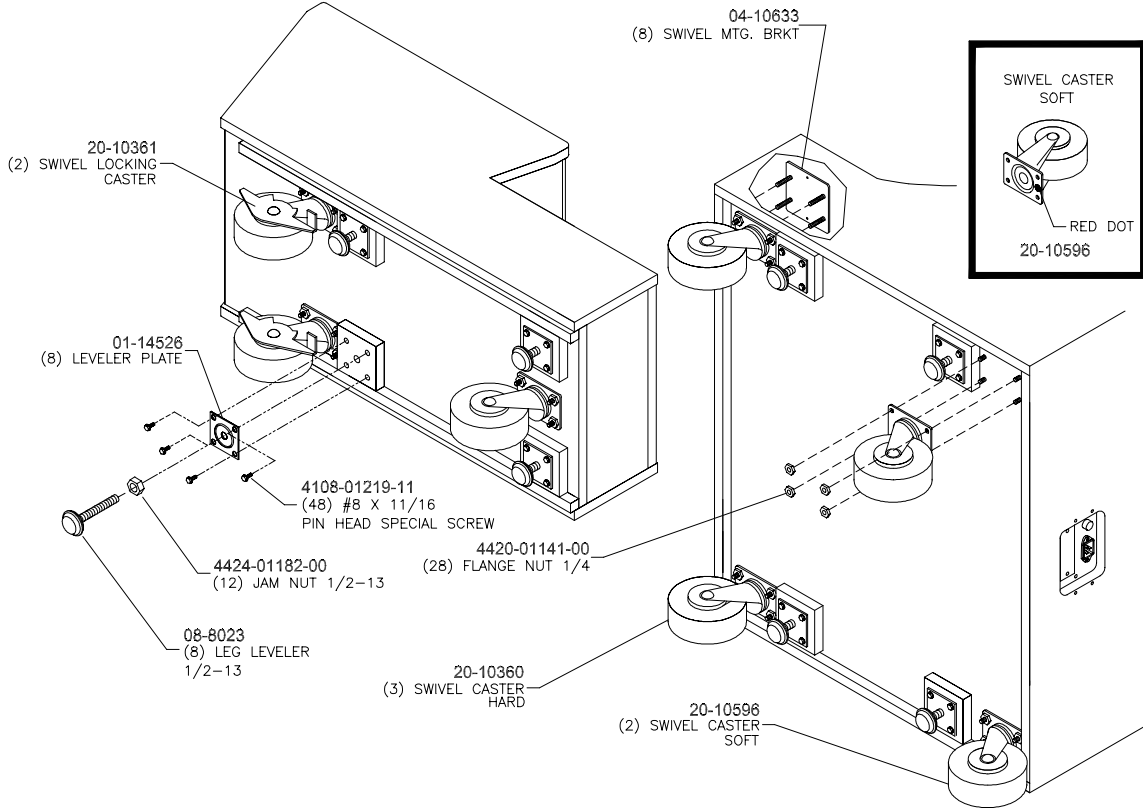
**Cabinet Front View**



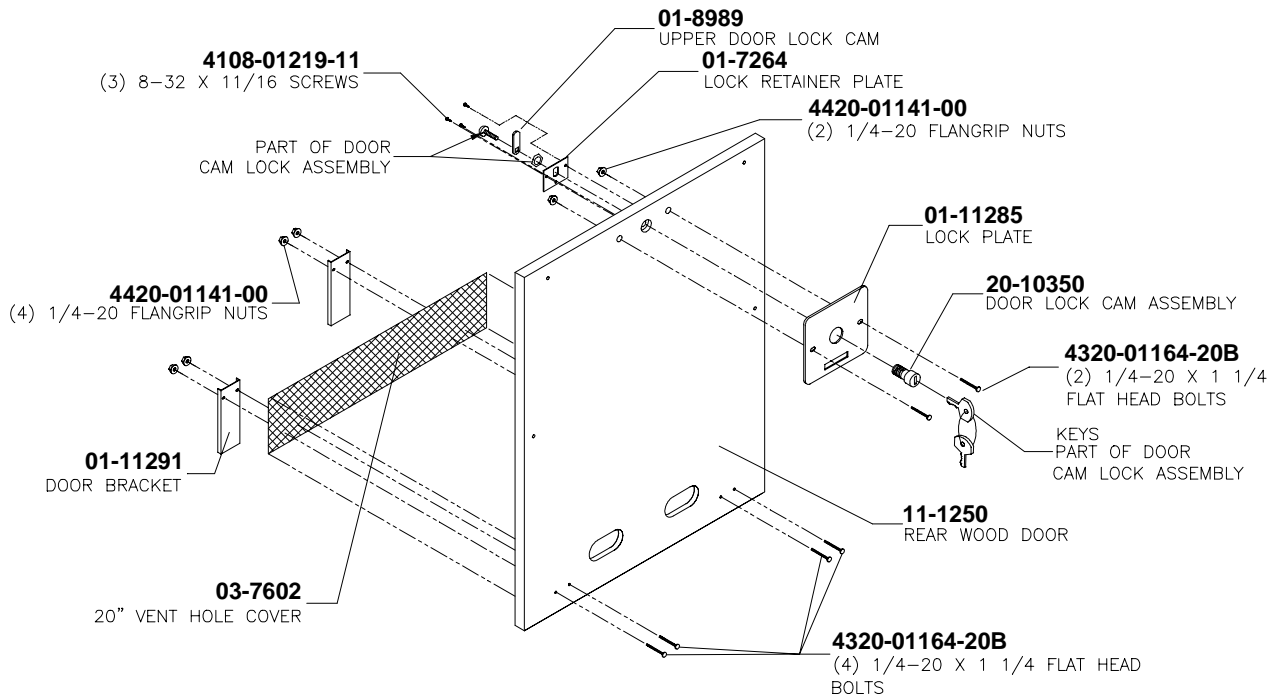
**Pedestal Assembly**



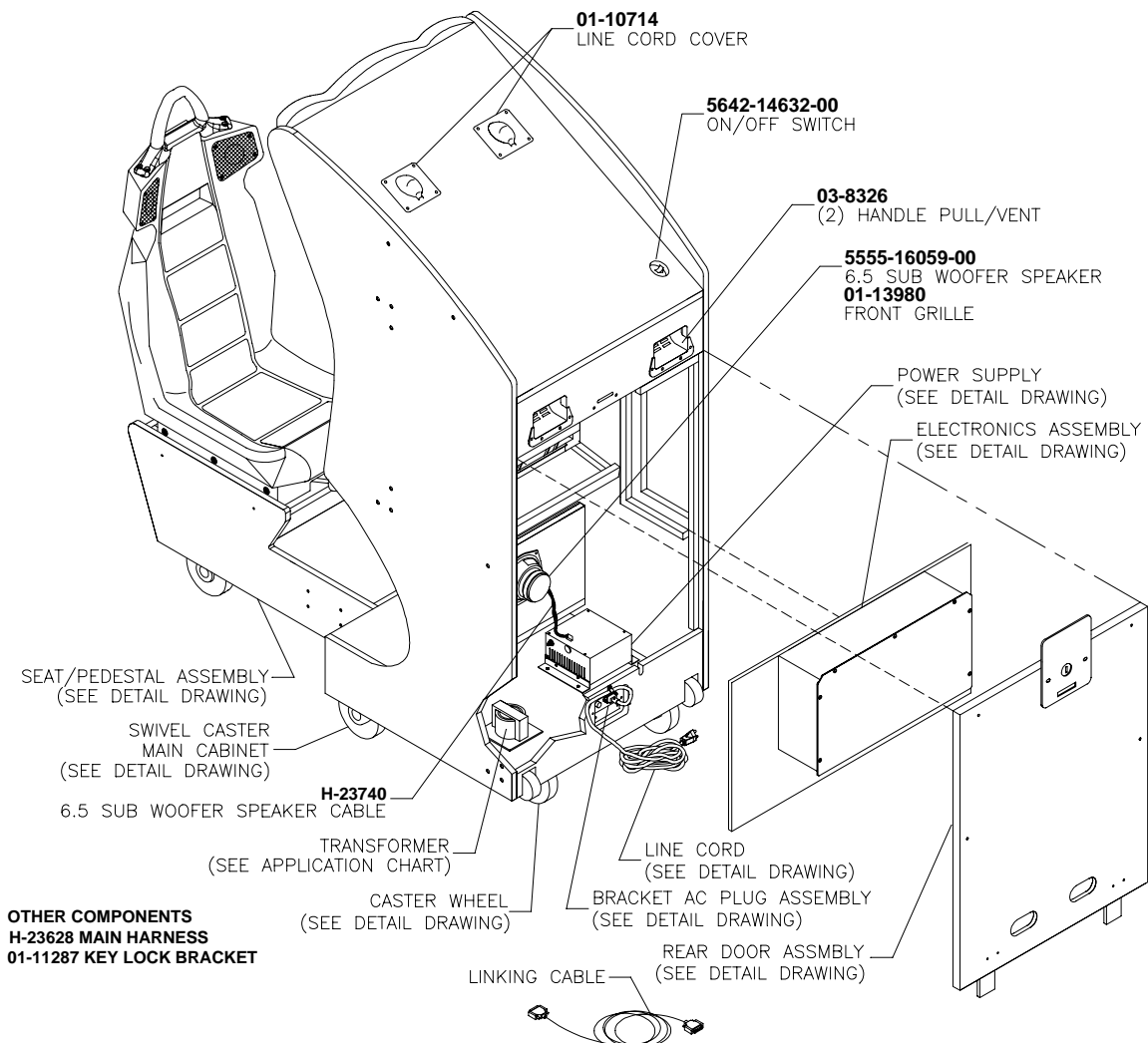
**Caster & Leveler Assemblies**



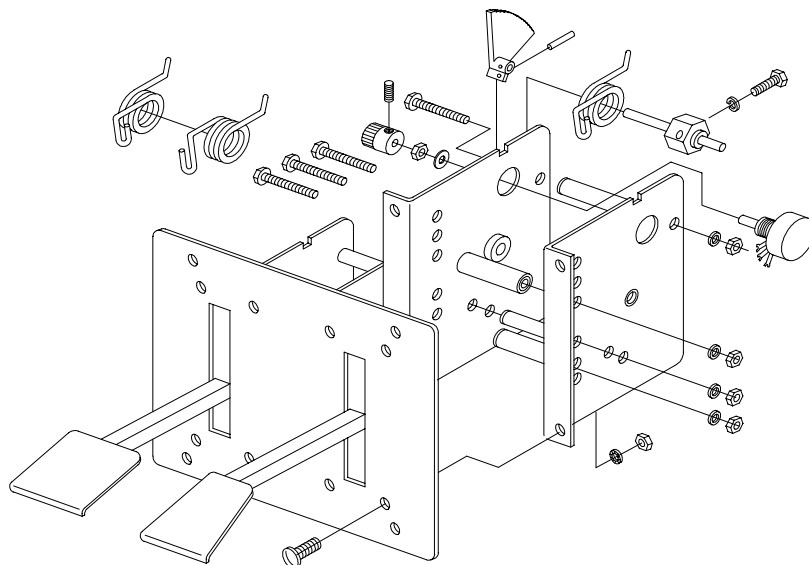
**Rear Door Assembly**



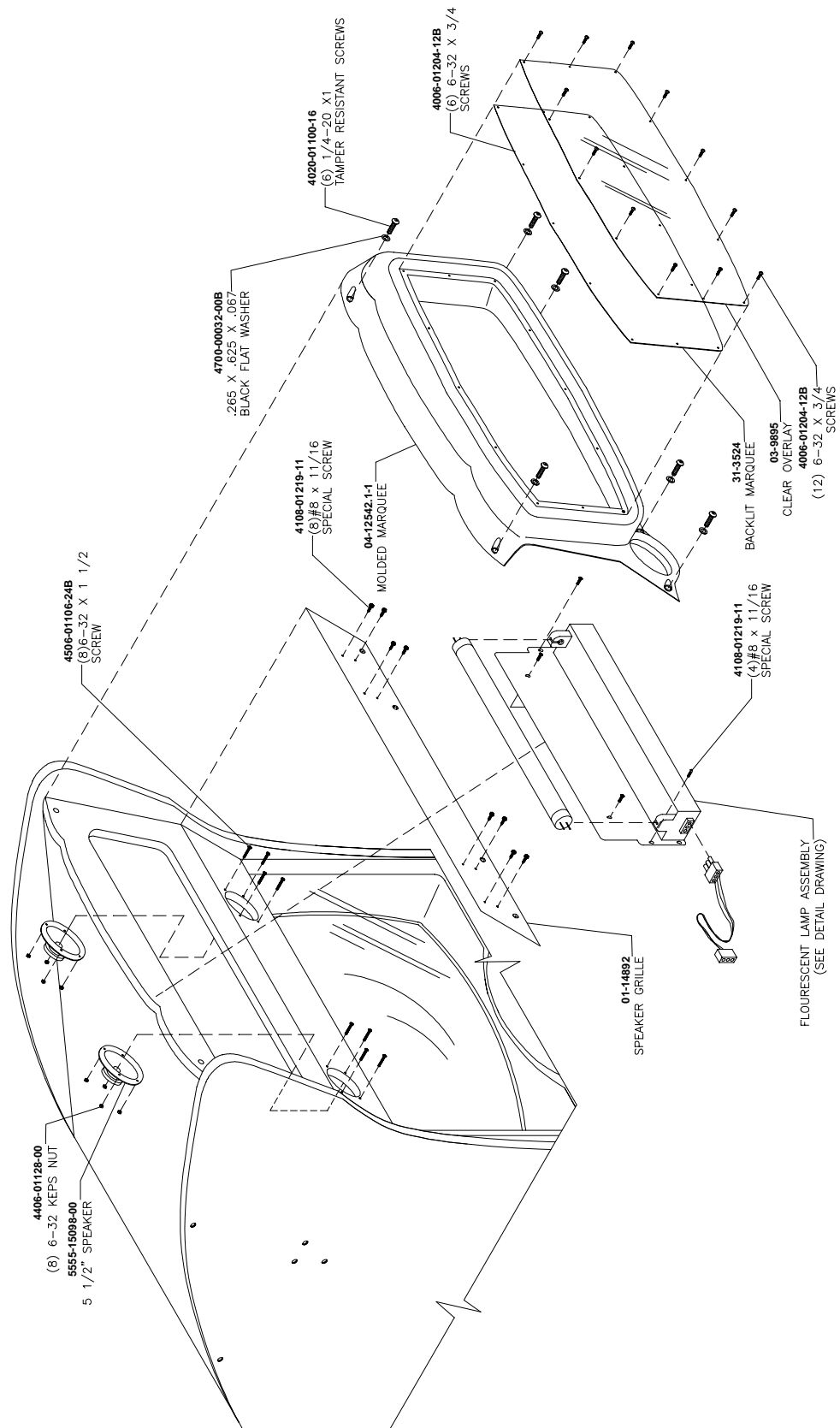
**Cabinet Rear View**



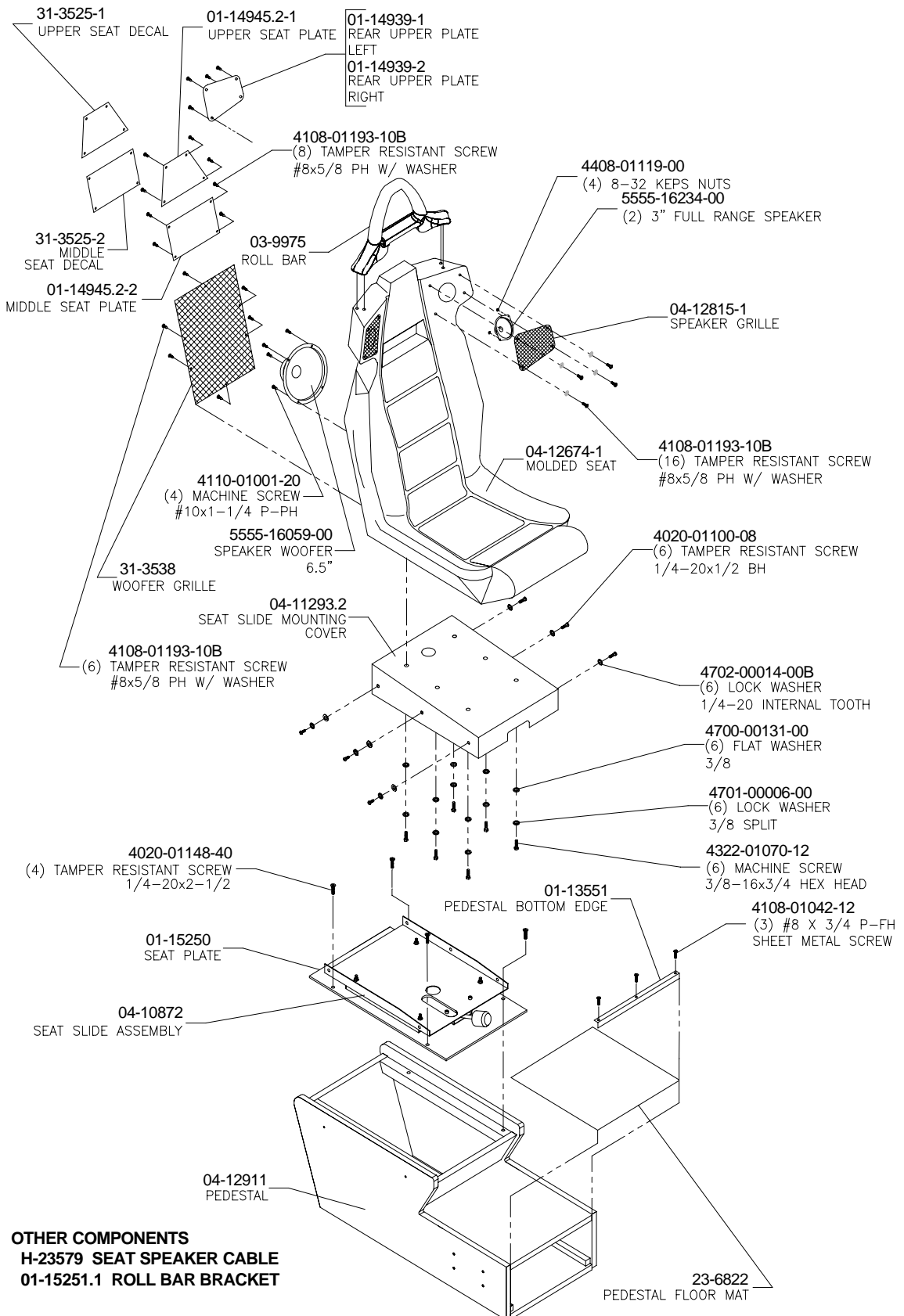
**Pedal Assembly 20-10135**



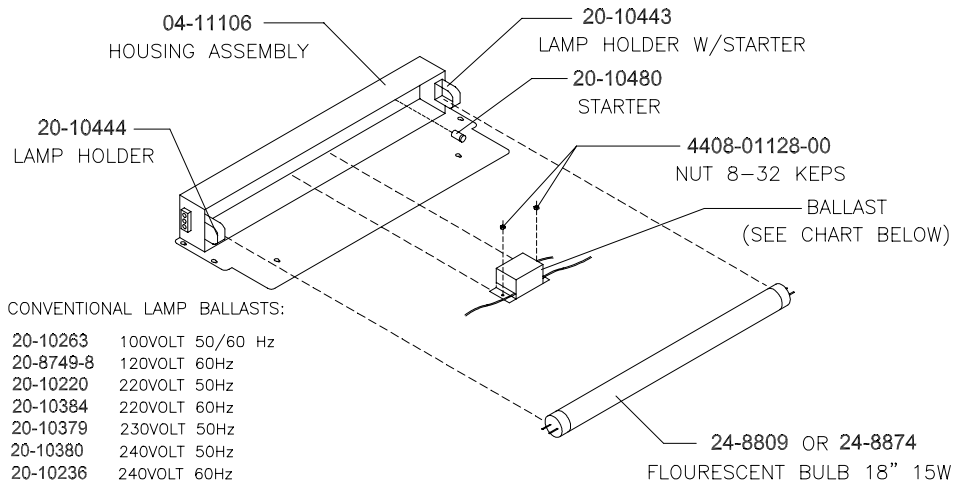
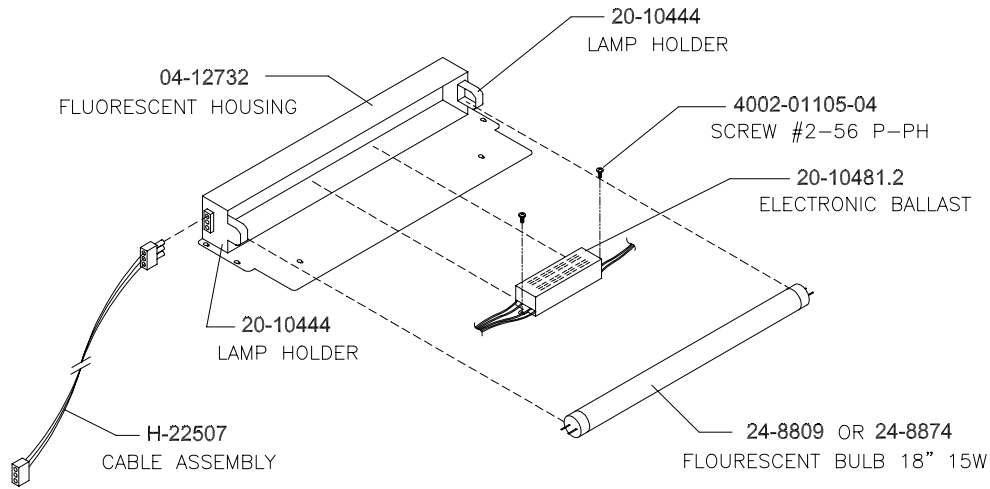
**Marquee Assembly**



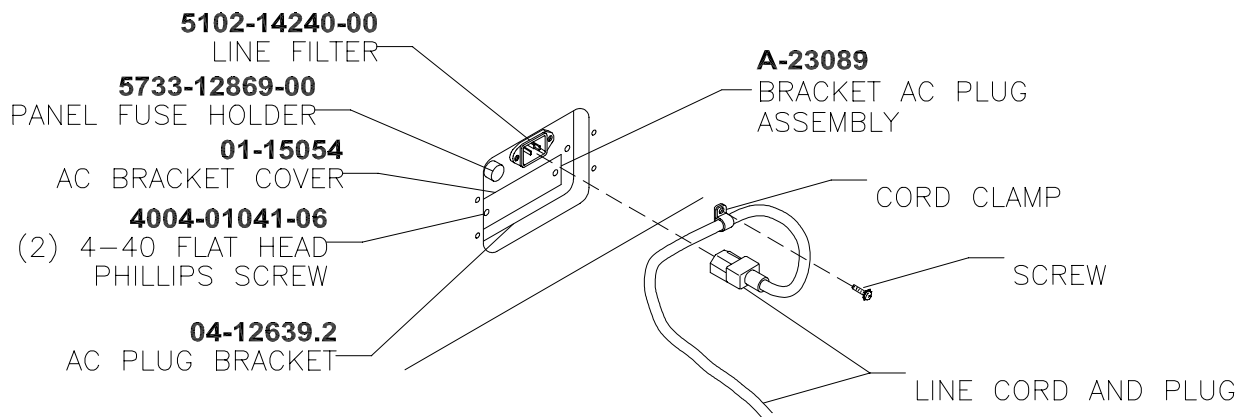
**Seat Pedestal Assembly**



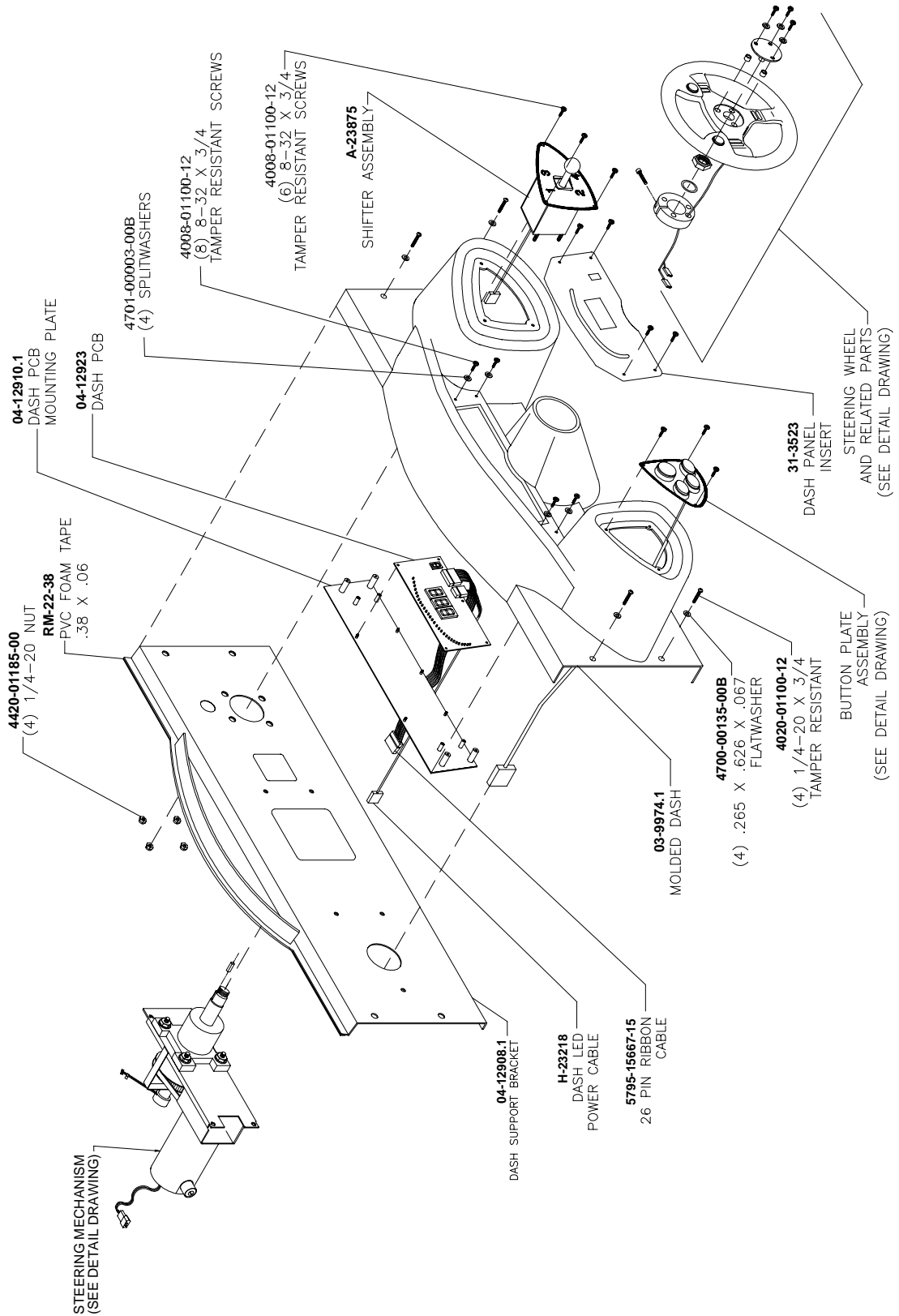
**Lamp Assembly A-23252**



**A C Power Assemblies**

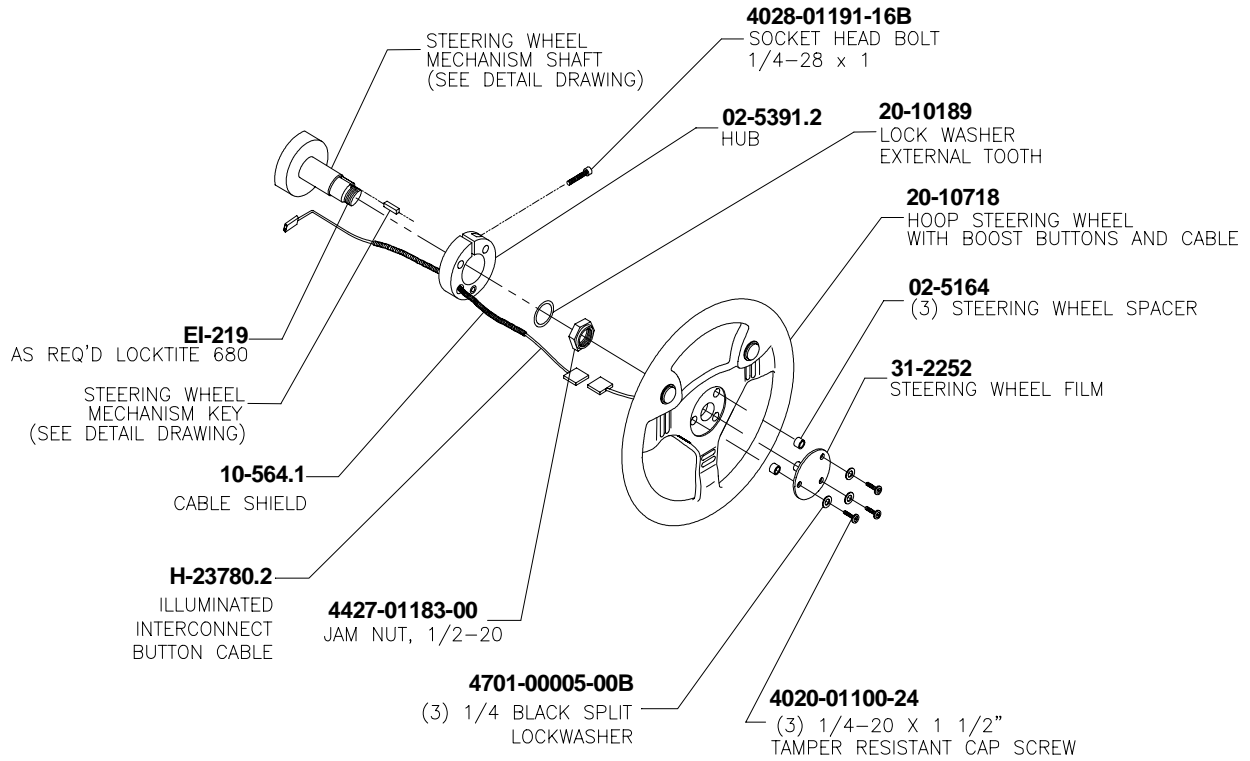


**Dashboard Assembly**

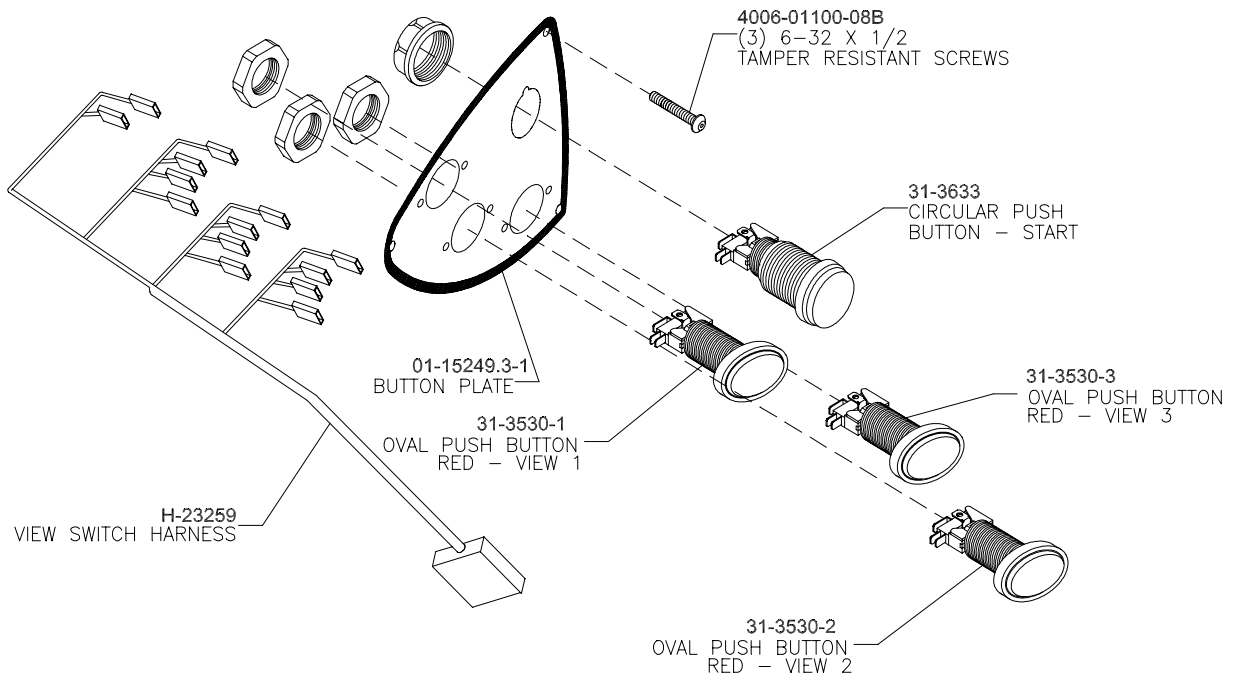




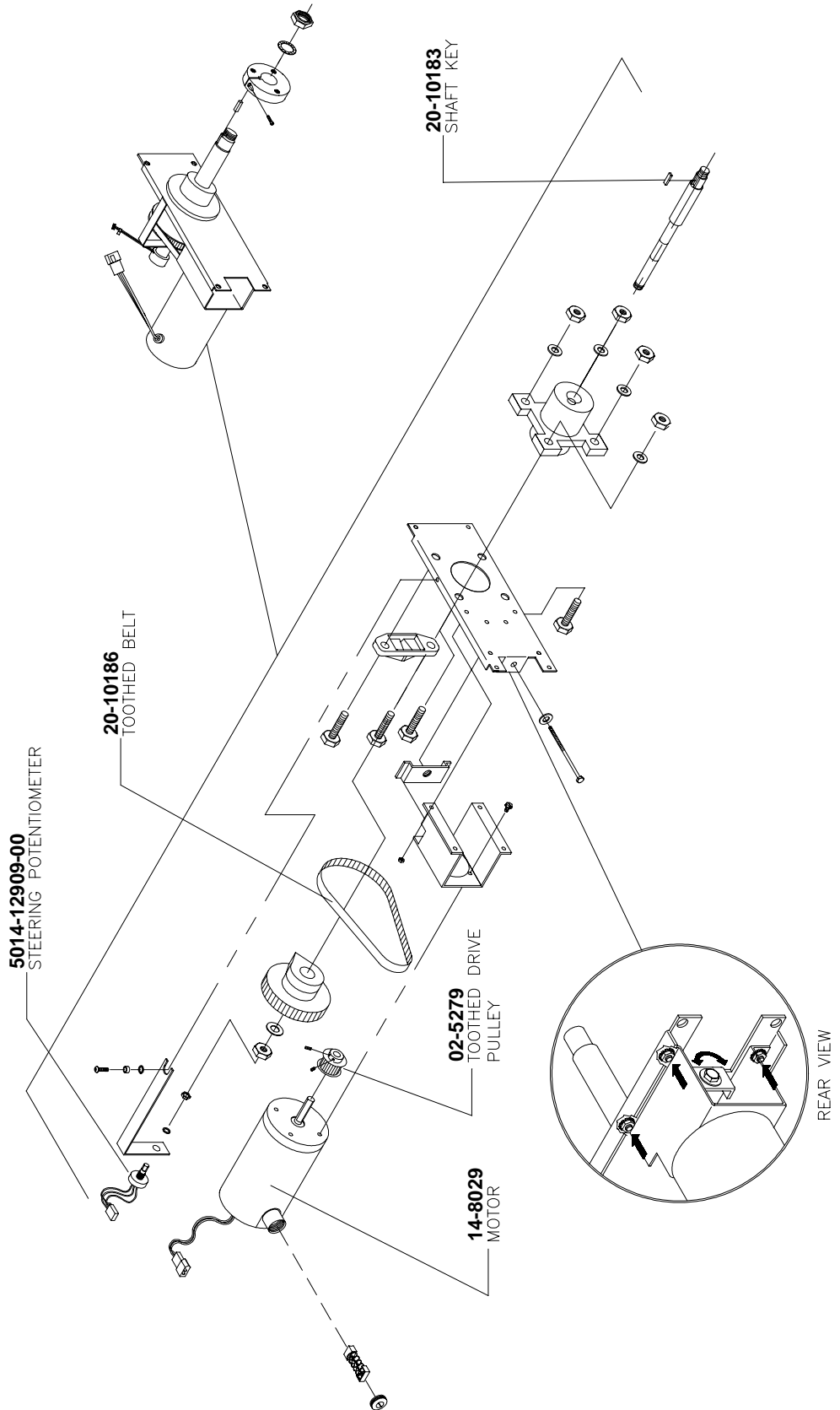
**Steering Wheel**



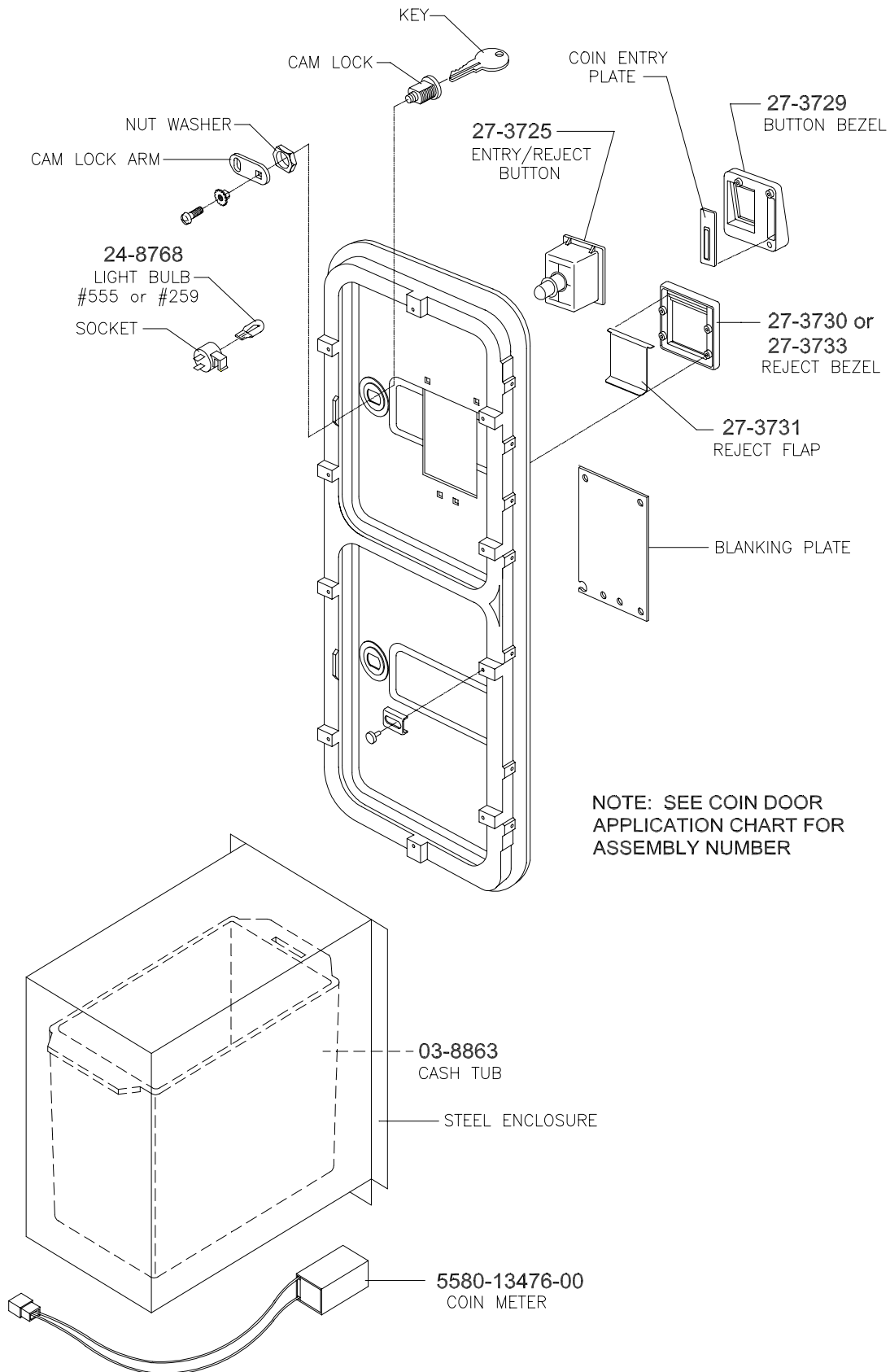
**Button Plate Assembly A-23562**



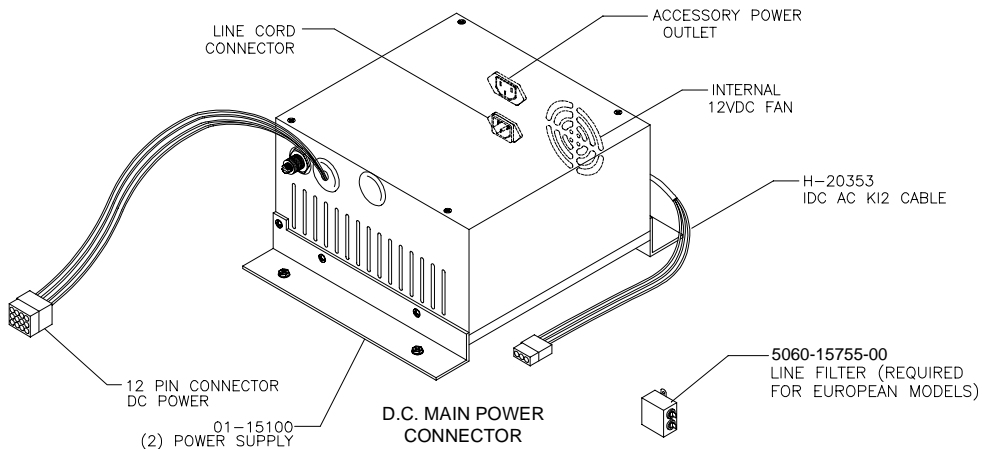
**Steering Mechanism 20-10713**



**Coin Door Assembly**



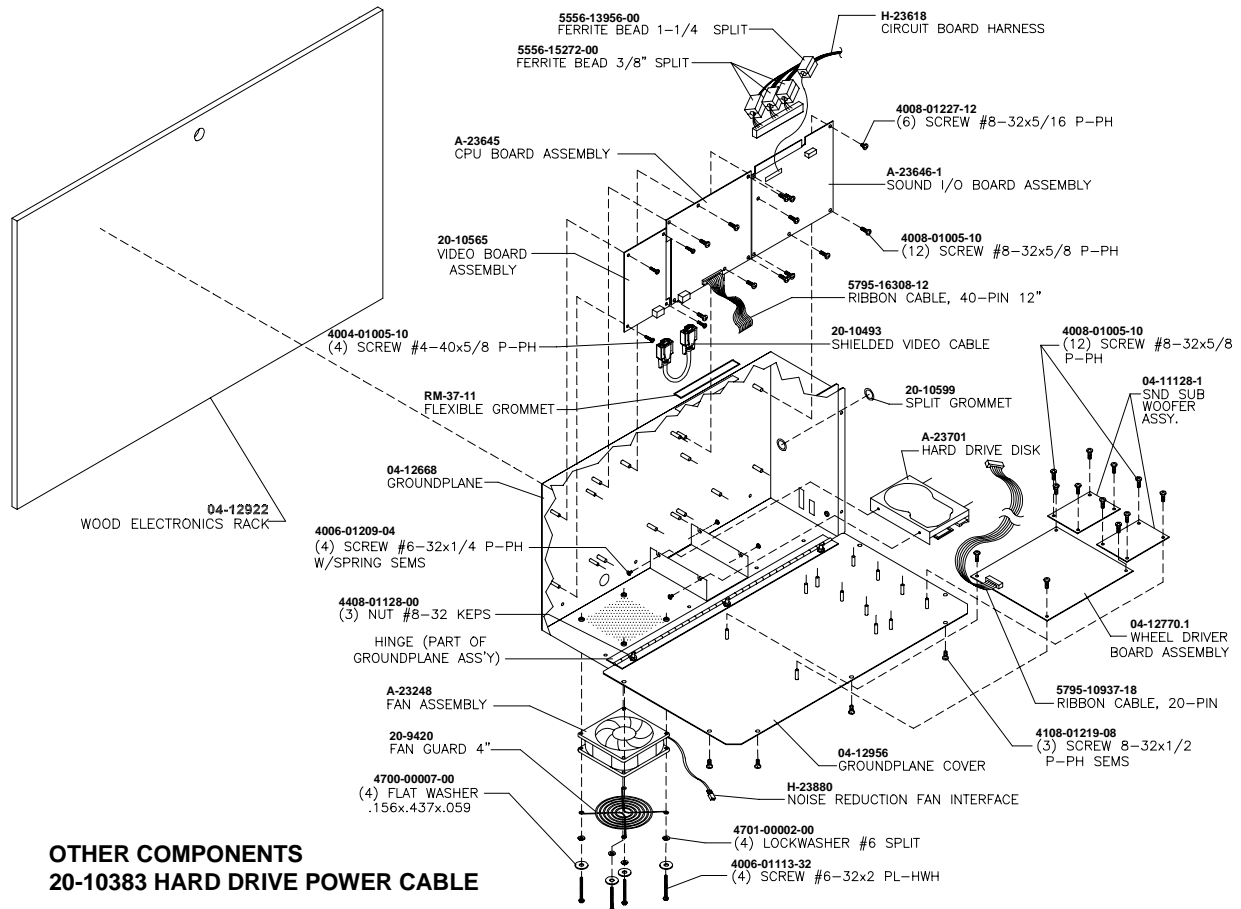
### Power Supply 20-10537



PINS	FUNCTION	COLOR
1,2,3	+5 VDC	RED
4,5,6,7,8	GROUND	BLACK
9	-5 VDC	WHITE
10,11	+12 VDC	YELLOW
12	-12 VDC	BLUE

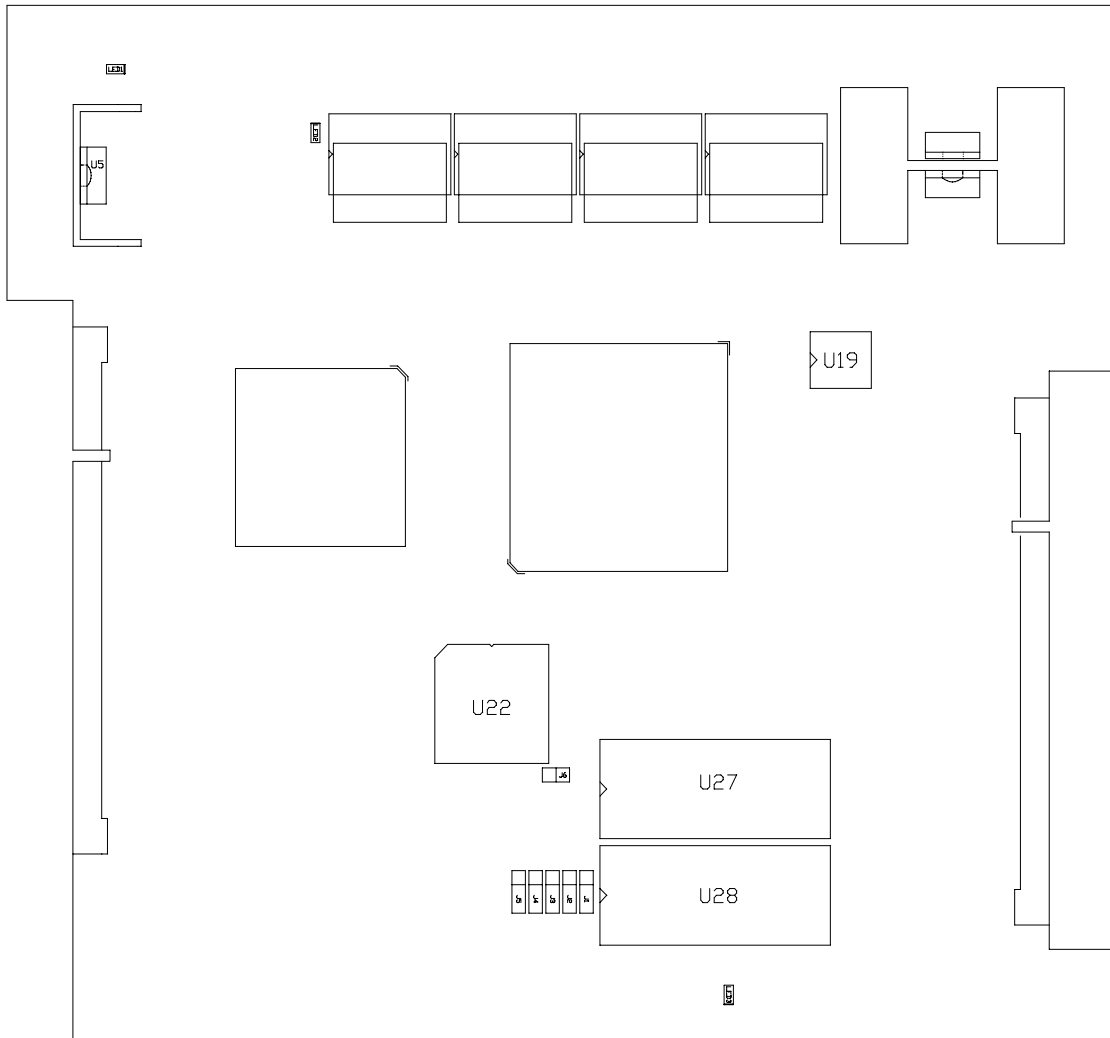
NOTE: Many computer grade power supplies use alternate wire colors. This is acceptable as long as the pinout is correct.

### Electronics Assembly A-23566



**OTHER COMPONENTS**  
**20-10383 HARD DRIVE POWER CABLE**

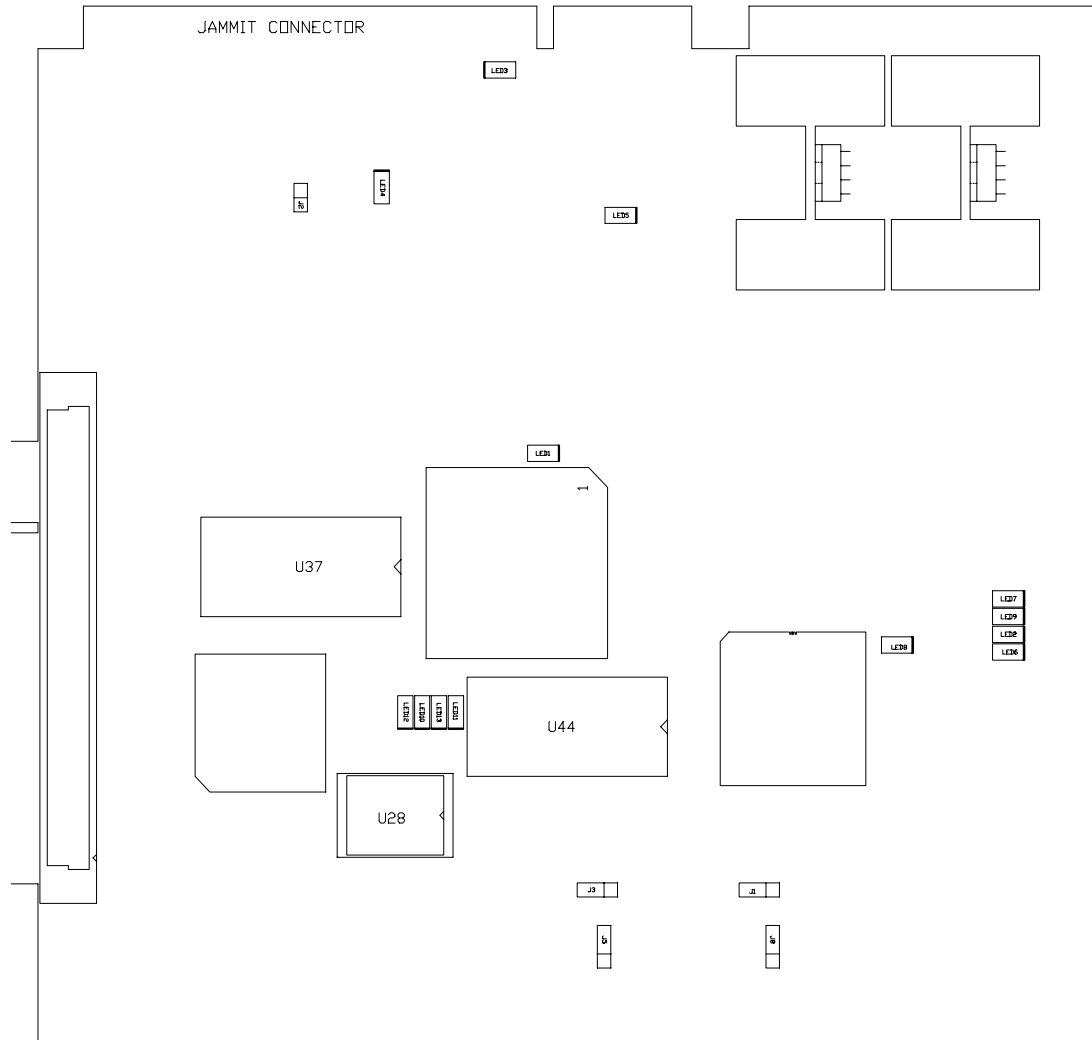
**CPU Board Assembly A-23645**



**Field Replaceable CPU Board Parts**

DESIGNATION	PART NUMBER	FUNCTION	DESCRIPTION
U19	A-23315	Bus Controller Configuration	Programmed Logic Device
U22	A-22912	CPU Configuration	Programmed Logic Device
U27	A-5343-40090-1	CPU Boot ROM	EPROM Assembly
U28	---	CPU Expansion ROM	EPROM Assembly (empty)

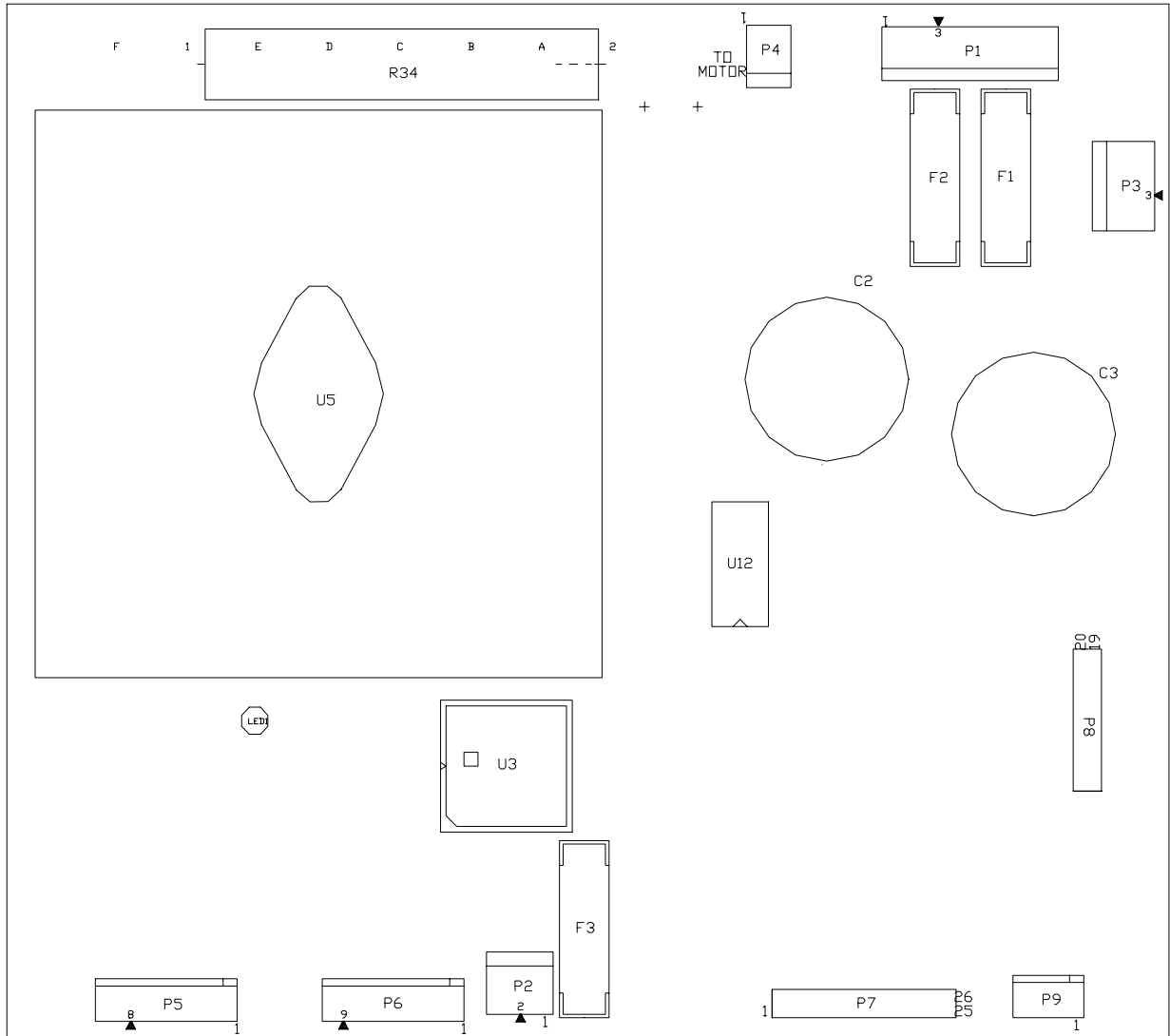
**Sound I/O Board Assembly A-23646-1**



**Field Replaceable Sound I/O Board Parts**

DESIGNATION	PART NUMBER	FUNCTION	DESCRIPTION
U28	5880-15774-00	Memory Backup	Battery
U37	A-23647	PIC Assy 40095	EPROM Assembly
U44	A-5343-40090-2	Sound	EPROM Assembly

**Wheel Driver Board 04-12770.1**



**Field Replaceable Wheel Driver Board Parts**

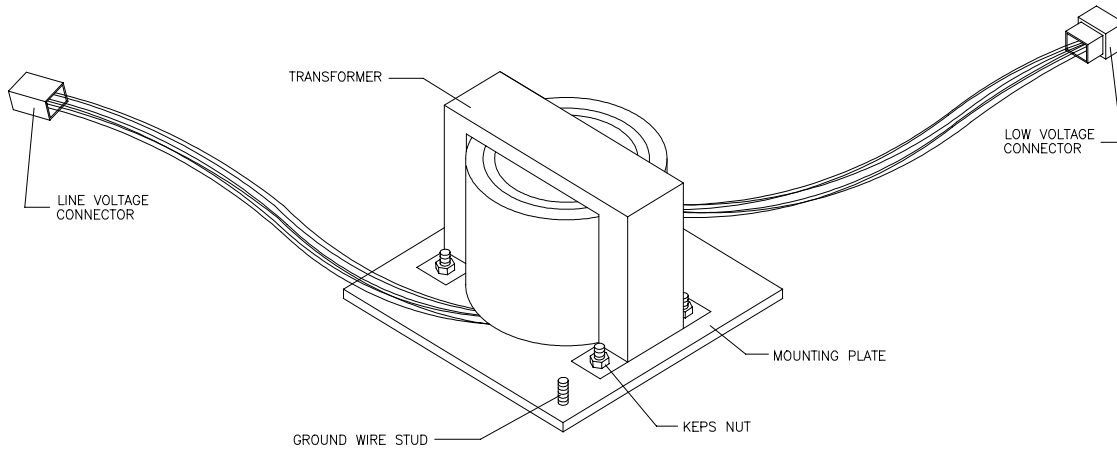
DESIGNATION	PART NUMBER	FUNCTION	DESCRIPTION
F1, F2	5731-14094-00	Circuit Protection	Fuse 41A SB
F3	5731-15627-00	Circuit Protection	Fuse .63A FB
U3	A-23362	Controller	PLD Assy Primary
U3	A-23363	Controller	PLD Assy Secondary

Line Cord Application Chart							
COUNTRY	Part Number						
	5850-14699-00	5850-14699-01	5850-14699-02	5850-14699-03	5850-14699-04	5850-14699-05	5850-14699-06
Australia						x	
Austria			x				
Belgium			x				
Canada		x					
Denmark			x				
Finland			x				
France			x				
Germany			x				
Holland			x				
Hungary			x				
Italy	x						
Japan							x
New Zealand						x	
Norway			x				
Spain			x				
Switzerland					x		
United Kingdom				x			
United States		x					

Coin Door Application Chart																	
Country	Part Number 09-96023-																
	02	03	04	06	07	09	11	13	14	15	17	18	20	22	23	24	33
Australia				x													
Austria		x															
Belgium					x												
Canada																x	
Denmark						x											
Finland							x										
France			x														
Germany	x																
Holland								x									
Hungary															x		
Italy									x								
Japan										x							
New Zealand											x						
Norway												x					
Spain													x				
Switzerland														x			
United Kingdom	09-80000																
United States																	x



**Transformer Assembly  
(Refer to application chart)**



<b>Transformer Application Chart</b>			
<b>Voltage &amp; Country</b>	<b>Part Number</b>		
	<b>5610-14926-00</b>	<b>5610-14927-00</b>	<b>5610-15275-00</b>
230 VAC Australia	x		
230 VAC Austria	x		
230 VAC Belgium	x		
230 VAC Canada		x	
230 VAC Denmark	x		
230 VAC Finland	x		
230 VAC France	x		
230 VAC Germany	x		
230 VAC Holland	x		
230 VAC Hungary	x		
230 VAC Italy	x		
100 VAC Japan			x
230 VAC New Zealand	x		
230 VAC Norway	x		
230 VAC Spain	x		
230 VAC Switzerland	x		
230 VAC United Kingdom	x		
120 VAC United States		x	

**Supplementary Parts**

<b>Power &amp; Protection</b>	
AC Line Filter, 6A, 250V	5102-14240-00
Ferrite Bead	5556-15272-00
Ferrite Beads	5556-13956-00
Fuse, 0.63A, 250V, FB, 5 x 20 mm	5731-15627-00
Fuse, 3A, 250V, SB, 1/4 x 1 1/4	5731-10356-00
Fuse, 4A, 250V, SB, 5 x 20 mm	5731-14094-00

<b>Cables</b>	
26-Pin Ribbon Cable	5795-15667-48
AC Line Harness	H-23626.2
Gear Shift Cable W/Dual Grd.	H-23949
Dash LED Power Cable	H-23218
40 ckt Ribbon Cable W/Grd Bus	5795-16308-12
Bill Acceptor Adapter Cable	H-23639
20 Pin Ribbon Cable	5795-10937-18
Circuit Board Harness	H-23618.2
Shielded Video Cable	20-10493
Dash Cable	H-23259
Linking Cable	5797-15276-00
Flourescent Lamp Cable	H-22507
Hard Drive Power Cable	20-10383
Series Speaker Cable	H-23627.1
AC IDC Cable	H-20353
Main Wiring Harness	H-23628.6
Seat Speaker Harness	H-23579
Seat DC Power Cable	H-23277
Grnd Braid With Ring Term	H-22327-86
Illuminated Button Inter Cable	H-23780.2
Noise Reduction Fan Inter Cable	H-23880

<b>Documentation</b>	
Caster Installation Instructions	16-11010
Operators Manual	16-40090A-101
Product Registration Card	16-10650

<b>Tools &amp; Game Installation Hardware</b>	
Bolt, Hex Head, 1/4-20 x 1	4320-01124-16
Bulb, #555, 6.3V, .25 Amps	24-8768
Bulb, #161	24-8840
Crossover Coupler	5796-15262-00
Screw, SMS, #8 x 1 1/2 TRX	4108-01160-24B
Screw, Tamper-Resistant, 1/4-20 1 1/4	4020-01100-20
T-20 Tamper-Resistant Wrench	20-9620
T-27 Tamper-Resistant Wrench	20-10140
Washer, Flat, .265 x 1.00 x .067	4700-00135-00B
Washer, Flat, .265 x .750 x .067	4700-00033-00
Washer, Lock, 1/4 Split	4701-00005-00B
Washer, Lock, 1/4 Internal Tooth	4702-00014-00B