

Café Executive™

Model 688/689



Parts Manual

CRANE® National Vendors

12955 Enterprise Way
Bridgeton, Missouri 63044-1200
(314) 298-3500
www.nationalvendors.com

List of Figures

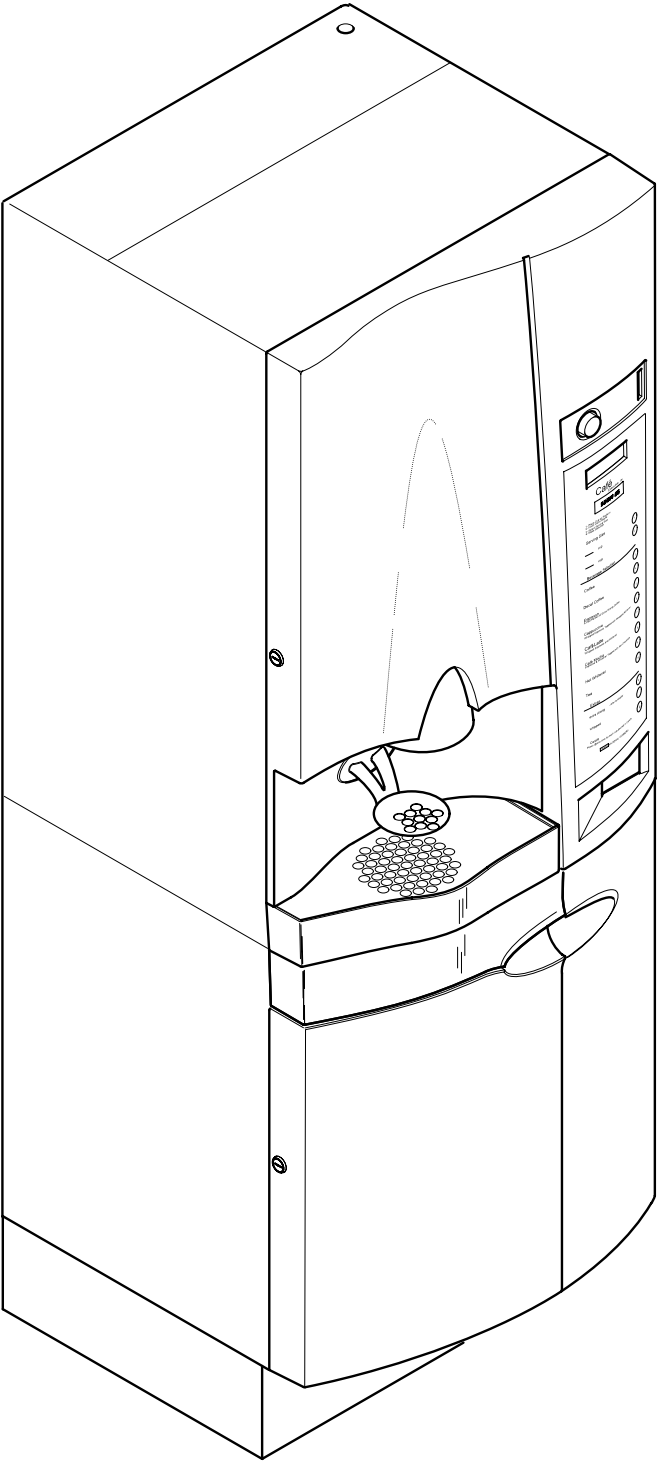
Figure	Title	Page
1.	Café Executive	2
2.	Upper Door Assembly - Part 1	4
3.	Upper Door Assembly - Part 2	6
4.	Upper Door Assembly - Part 3	8
5.	Upper Door Assembly - Part 4	10
6.	Upper Door Assembly - Part 5	12
7.	Upper Cabinet and Base Cabinet Door Lock.....	14
10.	Upper Cabinet Assembly - Part 1	18
11.	Upper Cabinet Assembly - Part 2	20
12.	Upper Cabinet Assembly - Part 2	22
13.	Upper Cabinet Assembly - Part 3	24
14.	Interlock and Float Switches.....	26
15.	Brewer Assembly.....	28
16.	Idler Axle and Roller Assemblies.....	30
17.	Carrier and Cam Follower Assembly	32
18.	Canister and Product Dispensing System.....	34
19.	Mixing Bowl and Whipper Assemblies.....	38
20.	Dispensing Spouts.....	40
21.	Blower Assembly.....	42
22.	Canister Assembly - Freeze Dry Coffee.....	44
23.	Canister Assembly - Preground Coffee	46
24.	Canister Assembly - No Sleeve	48
25.	Canister Assembly - Chocolate.....	50
26.	Water Tank Assembly	52
27.	Float Assembly - Water Tank.....	54
28.	Power Panel and Support Assembly.....	56
29.	Everpure Water Valve and Filter Option.....	58
30.	Hydrolife Water Valve and Filter Option.....	60
31.	Brewer Drive and Pump Assemblies	62
32.	Upper Cabinet Fan Accessory	64
33.	Filter Paper Housing Assembly	66
34.	Base Door Assembly	68
35.	Cup Dispenser Door Assembly.....	70
36.	Base Cabinet Assembly - Part 1	72
37.	Base Cabinet Assembly - Part 2	74
38.	Bottled Water Pump Option	76

Café Executive Parts Manual

List of Tables

Table	Title	Page
1.	Café Executive	3
2.	Upper Door Assembly - Part 1	5
3.	Upper Door Assembly - Part 2	7
4.	Upper Door Assembly - Part 3	9
5.	Upper Door Assembly - Part 4	11
6.	Upper Door Assembly - Part 5	13
7.	Upper Cabinet and Base Cabinet Door Lock.....	15
8.	Bag Assembly - USA.....	16
9.	Bag Assembly - French Canada.....	17
10.	Upper Cabinet Assembly - Part 1	19
11.	Upper Cabinet Assembly - Part 2	21
12.	Upper Cabinet Assembly - Part 2	23
13.	Upper Cabinet Assembly - Part 3	25
14.	Interlock and Float Switches.....	27
15.	Brewer Assembly.....	29
16.	Idler Axle and Roller Assemblies	31
17.	Carrier and Cam Follower Assembly	33
18.	Canister and Product Dispensing System	35
19.	Mixing Bowl and Whipper Assemblies.....	39
20.	Dispensing Spouts.....	41
21.	Blower Assembly.....	43
22.	Canister Assembly - Freeze Dry Coffee.....	45
23.	Canister Assembly - Preground Coffee	47
24.	Canister Assembly - No Sleeve	49
25.	Canister Assembly - Chocolate.....	51
26.	Water Tank Assembly	53
27.	Float Assembly - Water Tank.....	55
28.	Power Panel and Support Assembly	57
29.	Everpure Water Valve and Filter Option	59
30.	Hydrolife Water Valve and Filter Option	61
31.	Brewer Drive and Pump Assemblies	63
32.	Upper Cabinet Fan Accessory	65
33.	Filter Paper Housing Assembly	67
34.	Base Door Assembly	69
35.	Cup Dispenser Door Assembly.....	71
36.	Base Cabinet Assembly - Part 1	73
37.	Base Cabinet Assembly - Part 2	75
38.	Bottled Water Pump Option	77
39.	Tubing.....	77
40.	Harnesses	78

Café Executive Parts Manual



688p006c

Café Executive

Café Executive Parts Manual

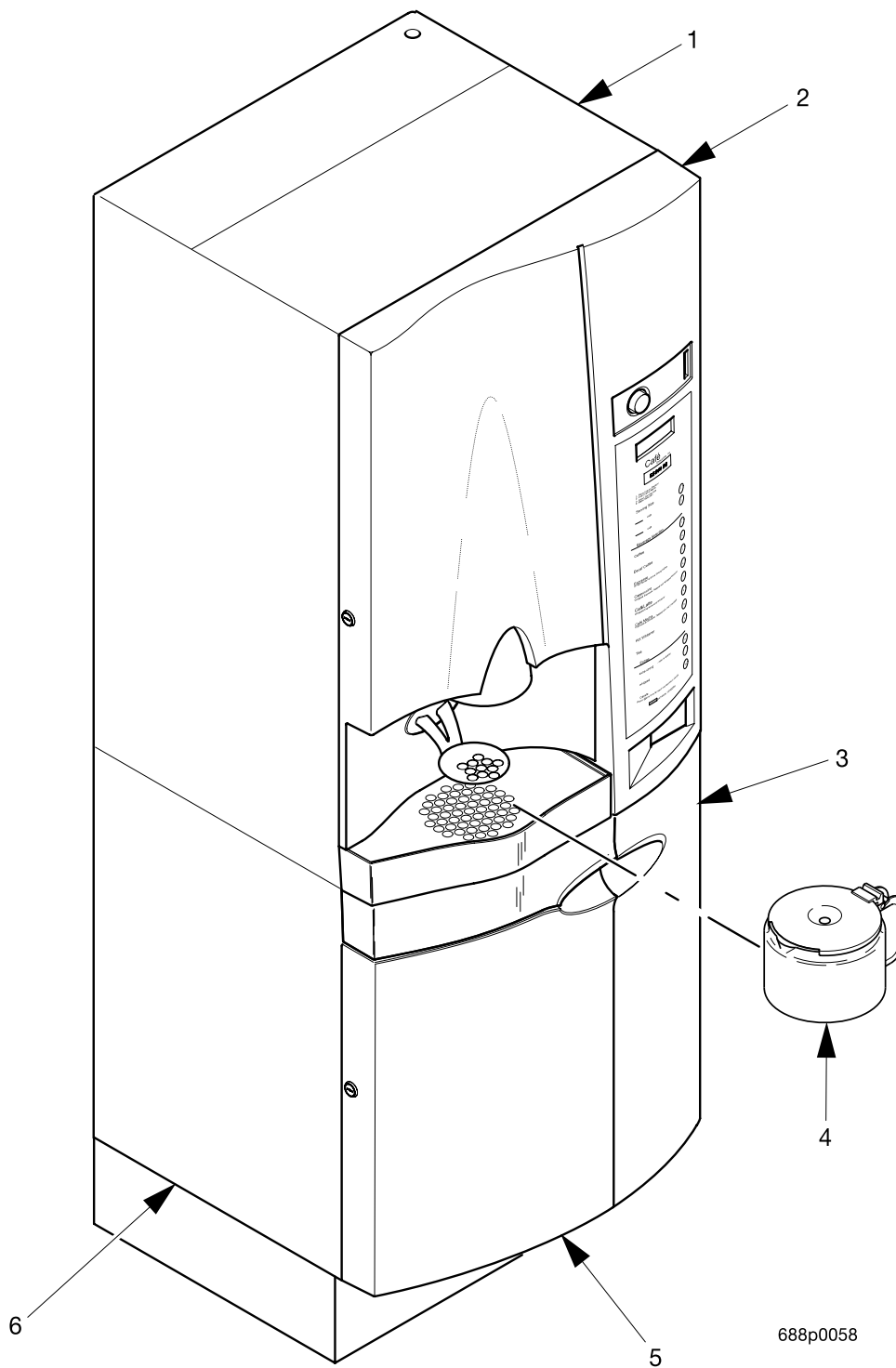


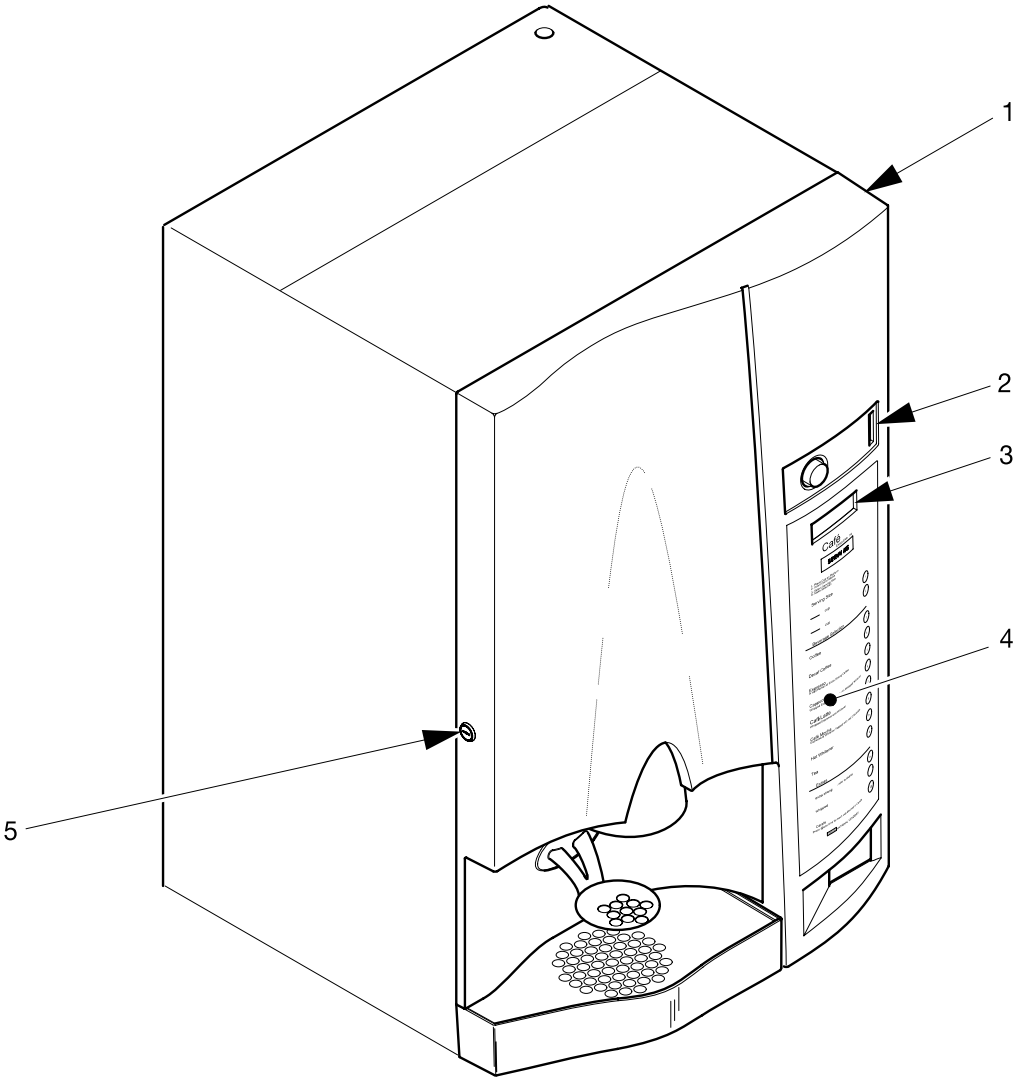
Figure 1. Café Executive

Café Executive Parts Manual

TABLE 1. CAFÉ EXECUTIVE

INDEX	PART NUMBER	DESCRIPTION	QTY
1	-	UPPER CABINET ASSEMBLY (SEE FIGURE 10)	1
2	-	UPPER DOOR ASSEMBLY (SEE FIGURE 2)	1
3	-	CUP DISPENSER DOOR ASSEMBLY (SEE FIGURE 35)	1
4	P6400826	INSULATED COFFEE CARAFE	OPT
5	-	BASE CABINET DOOR ASSEMBLY (SEE FIGURE 34)	1
6	-	BASE CABINET ASSEMBLY (SEE FIGURE 36)	1

Café Executive Parts Manual



688p005c

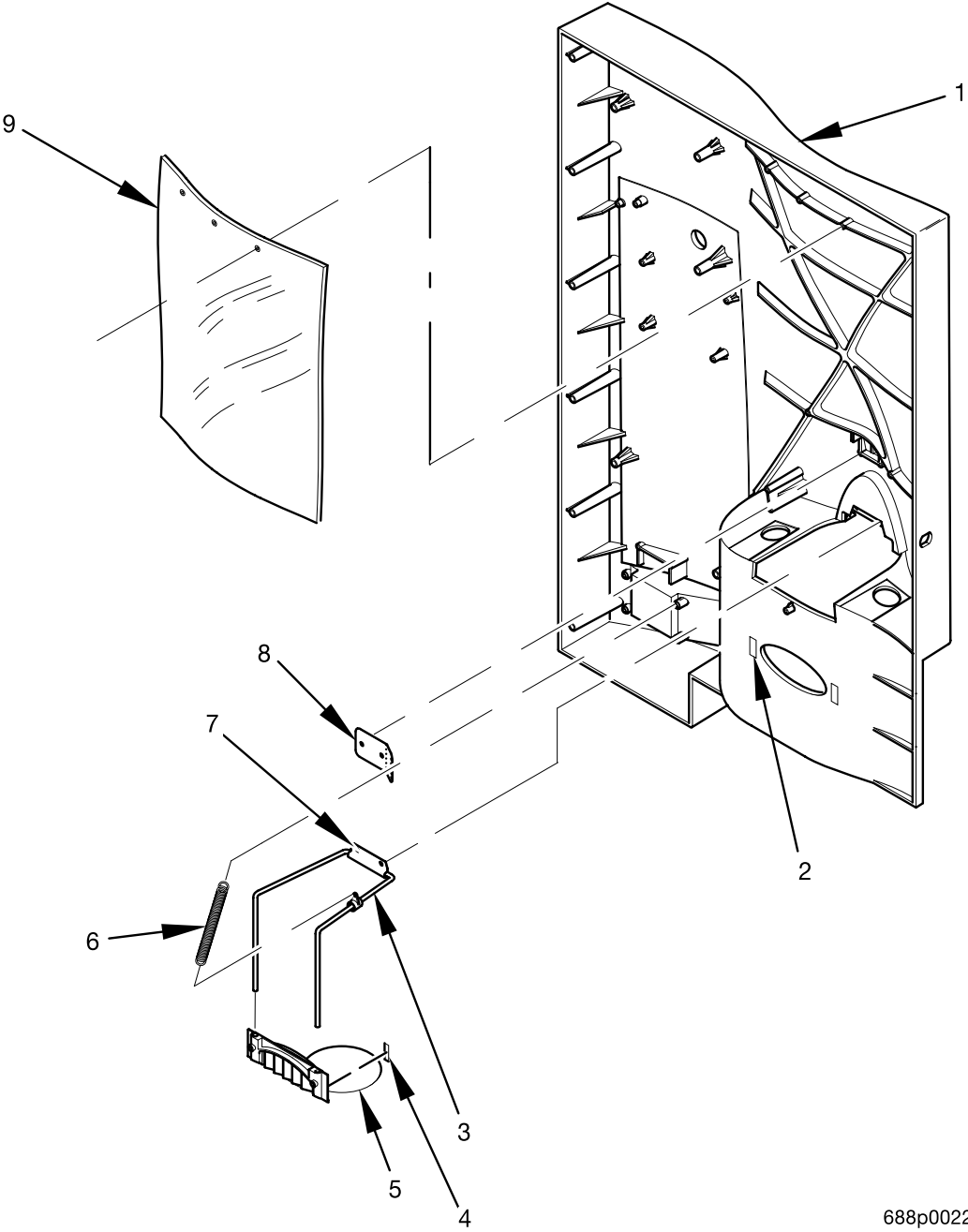
Figure 2. Upper Door Assembly - Part 1

Café Executive Parts Manual

TABLE 2. UPPER DOOR ASSEMBLY - PART 1

INDEX	PART NUMBER	DESCRIPTION	QTY
1	-	UPPER DOOR ASSEMBLY	1
2	6882036	LABEL-COIN OPTION -ENGLISH (USE WITH COIN OPTION)	1
	6882042	LABEL-COIN OPTION-FRENCH (USE WITH COIN OPTION)	
	6882037	LABEL-NO COIN OPTION -ENGLISH (USE WITH NO COIN OPTION)	
	6882040	LABEL-NO COIN OPTION-FRENCH (USE WITH COIN OPTION)	
3	6886004	PCB ASSY.-DISPLAY-CAFE SYS.EXC	REF
4	6882005	KEYPAD ASSY-MEMBRANE SWITCH-ENGLISH	1
	6882008	KEYPAD ASY-MEMBRANE SWITCH-FRENCH	
5	-	UPPER CABINET AND BASE CABINET DOOR LOCK (SEE FIGURE 7)	1

Café Executive Parts Manual



688p0022

Figure 3. Upper Door Assembly - Part 2

Café Executive Parts Manual

TABLE 3. UPPER DOOR ASSEMBLY - PART 2

INDEX	PART NUMBER	DESCRIPTION	QTY
-	-	UPPER CABINET DOOR ASSEMBLY (FOR NEXT HIGHER ASSEMBLY, SEE FIGURE 2)	REF
1	6882001	DOOR-CAFE'EXECUTIVE-SILVER METALIC	1
	6882041	DOOR-CAFE'EXECUTIVE-BLUE BLACK	
	6882052	DOOR-GLACIER SILVER-DBV (WITH BILL VALIDATOR)	
2	6402049	STRIP-MAGNETIC	2
3	6882028	SUPPORT-W/TOGGLE-CUP PLAT.	1
4	6882018	PLATE-RETAINER	2
5	6882002	PLATFORM-CUP SUPPORT	1
6	6402056	SPRING-CUP PLATFORM	1
7	6882051	HINGE PLATE-CUP PLATFORM	1
8	6882026	BRACKET-SPRING-CUP PLATFORM	1
9	B6880000	BAG ASSY: 15 - USA (SEE TABLE 8)	1
	B6880001	BAG ASSY: 35 - FRENCH CANADA (SEE TABLE 9)	

Café Executive Parts Manual

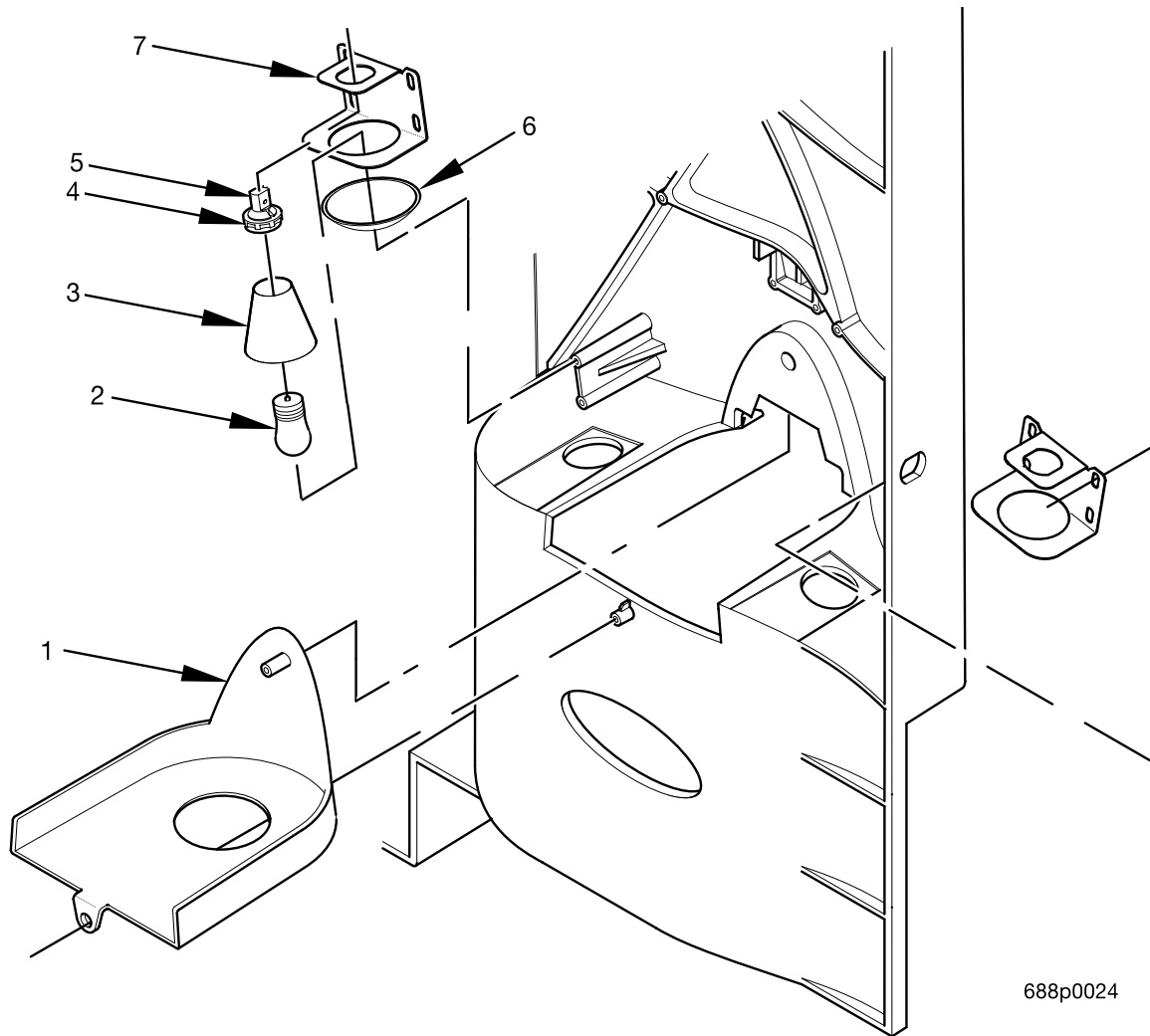


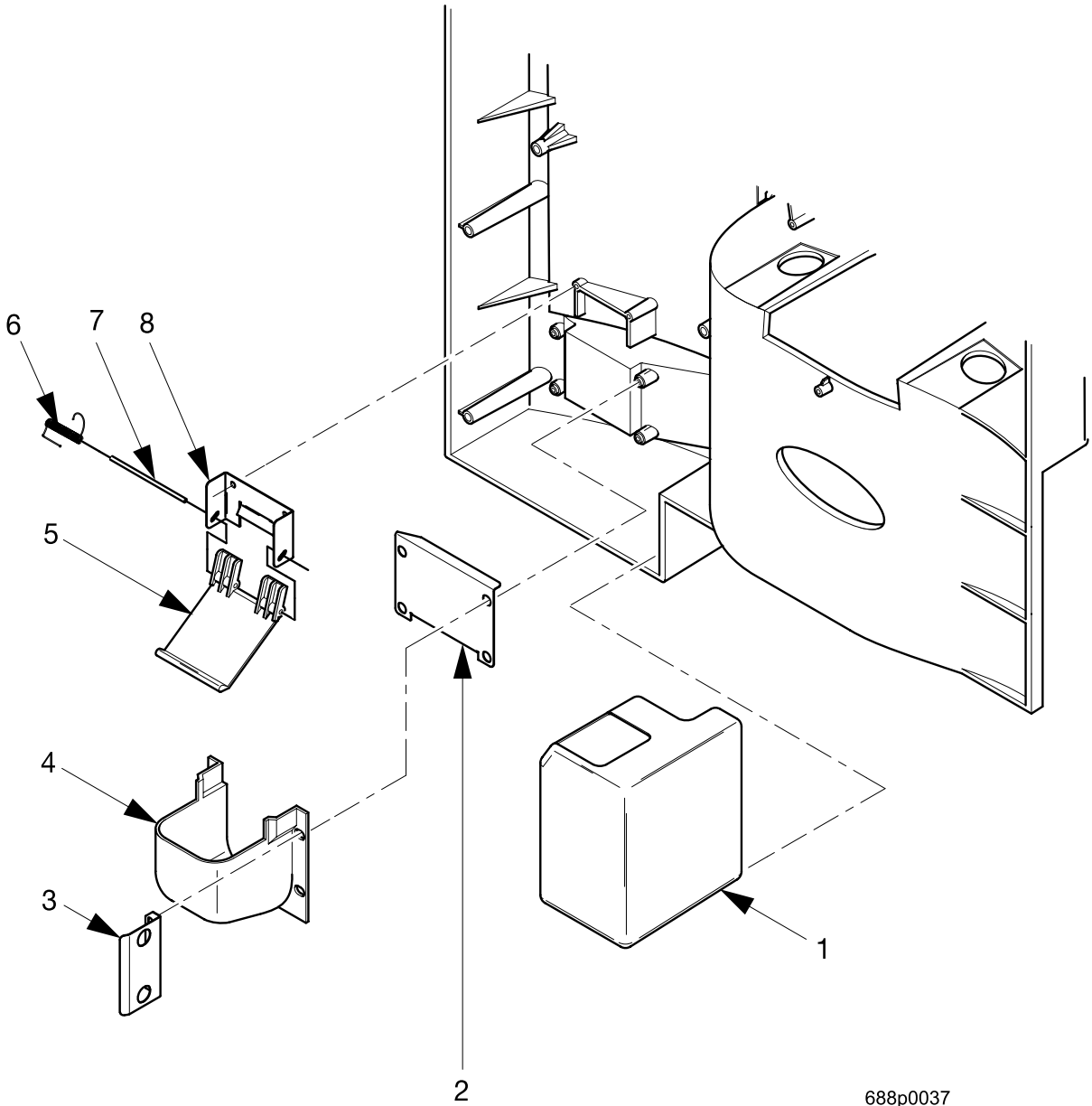
Figure 4. Upper Door Assembly - Part 3

Café Executive Parts Manual

TABLE 4. UPPER DOOR ASSEMBLY - PART 3

INDEX	PART NUMBER	DESCRIPTION	QTY
1	6882003	BEZEL-NOZZLE-CAFE EXECUTIVE	1
2	6882031	LAMP-INCANDESCENT-6S6/CL/30V	2
3	6882034	SHADE-CANDELABRA LAMP	2
4	6882033	NUT-CANDELABRA SOCKET-BA-23569	2
5	6882032	SOCKET-CANDELABRA-10032-200	2
6	6882035	LENS-CANDELABRA LAMP	2
7	6882029	BRKT-MTG-CANDELABRA LAMP	2

Café Executive Parts Manual



688p0037

Figure 5. Upper Door Assembly - Part 4

Café Executive Parts Manual

TABLE 5. UPPER DOOR ASSEMBLY - PART 4

INDEX	PART NUMBER	DESCRIPTION	QTY
1	6882006	COINBOX-CAFE EXECUTIVE	1
2	6882030	COVER-NO COIN OPTION	1
3	6882050	RETAINER-COIN BOX	1
4	1572010	CUP-COIN RETURN	1
5	4245082	GATE COIN RETURN	1
6	4245083	SPRING COIN RETURN DOOR	1
7	4245084	SHAFT-DOOR-COIN RETURN	1
8	6882024	BRACKET-COIN GATE	1

Café Executive Parts Manual

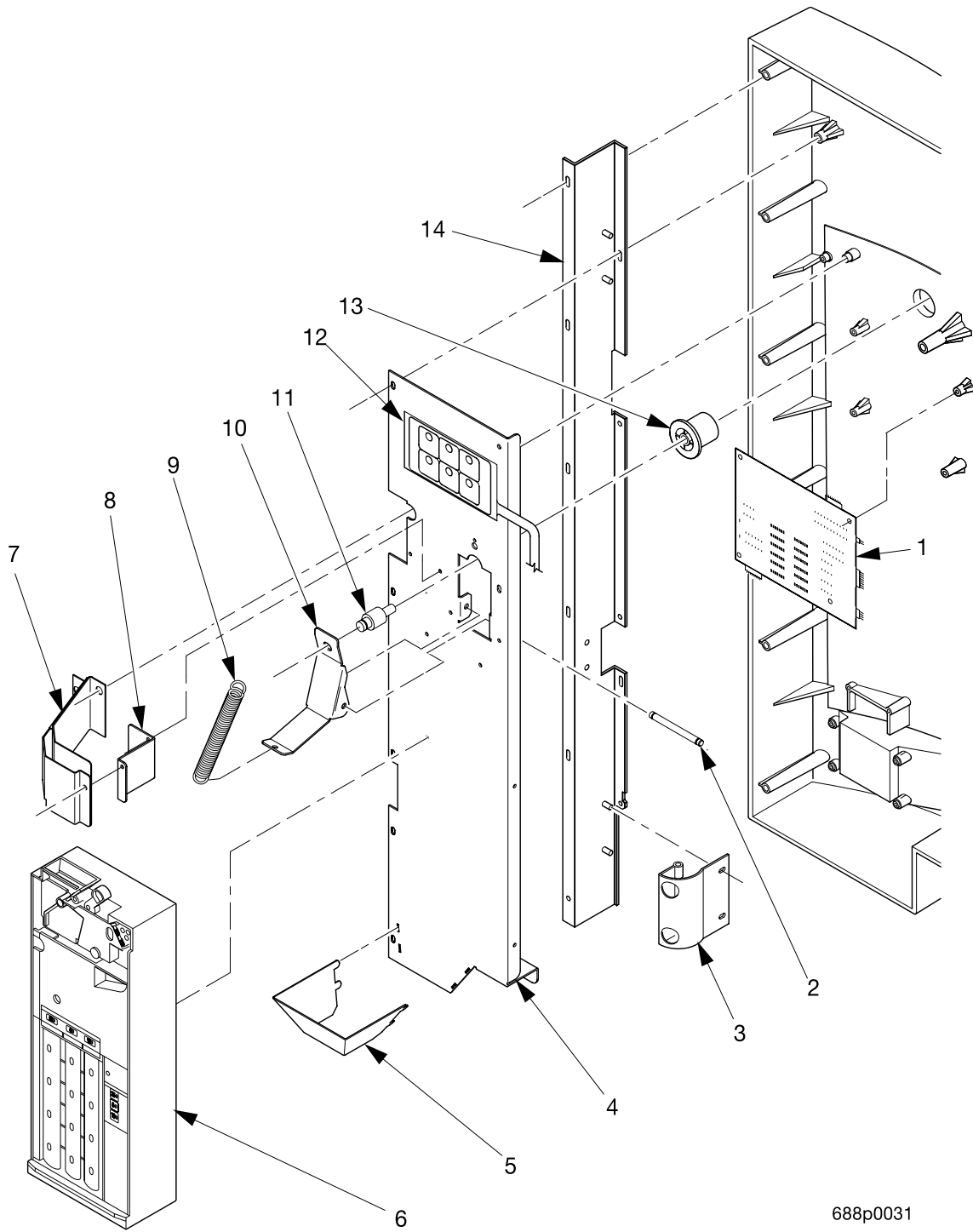


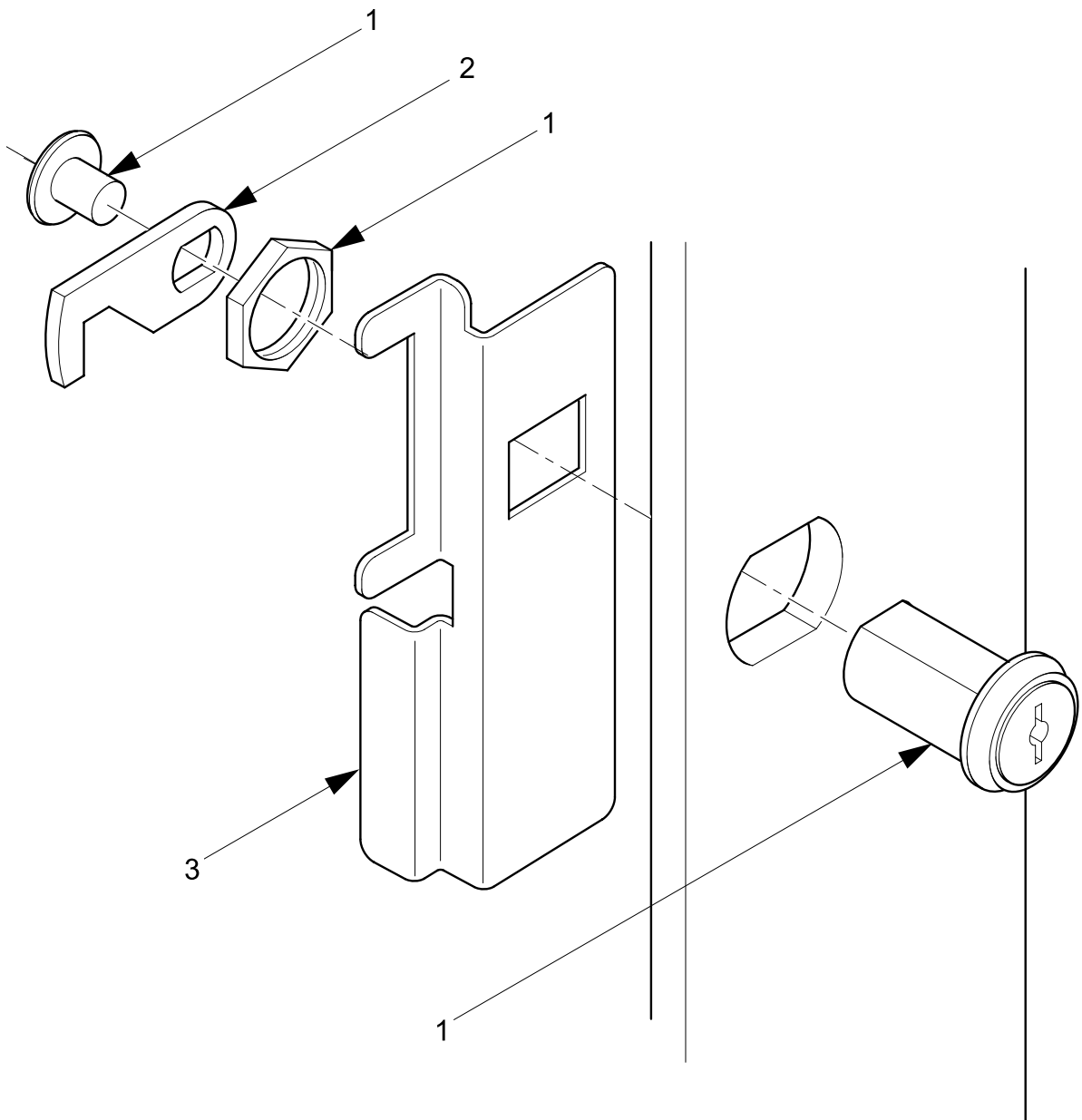
Figure 6. Upper Door Assembly - Part 5

Café Executive Parts Manual

TABLE 6. UPPER DOOR ASSEMBLY - PART 5

INDEX	PART NUMBER	DESCRIPTION	QTY
1	6886004	PCB ASSY.-DISPLAY-CAFE SYS.EXC	1
2	6882020	SHAFT-SCAVENGER ARM	1
3	6841076	HINGE ASSEMBLY	2
4	6882021	MONETARY PLATE-DOOR-CAFE EXEC	1
	6882055	MONETARY PLATE - CAFE' EXEC - DBV (WITH BILL VALIDATOR) (NOT SHOWN)	
5	6882023	CHUTE-COIN RETURN	1
6	5900209	COIN UNIT-CONLUX USLZ-001"MDB"ACCEPT 5,10,25,\$1-TUBES 5,10,25	1
	5900213	COIN UNIT-COINCO-9302-GX "MDB"ACCEPT 5,10,25,\$1,TUBES 5,10,25	
	5900214	COIN UNIT-MARS-VN4510-MDB US 5,10,25,\$1	
	5900243	COIN UNIT-TRC6512MDB-CONSNMNT MARS	
	5900244	COIN UNIT-COINCO USD-G701 MDB4 TUBE	
	6400002	COIN CHANGER-MARS #TRC6010XV-24V W/15 PIN PLUG	
6400003	COIN CHNGR-COINCO 9302LF-24VDCW/15 PIN PLUG		
7	6882046	COIN CHUTE ASSEMBLY	1
8	6882049	BRACKET-COIN CHUTE	1
9	4076515	SPRING COMMON BAR	1
10	6882017	SCAVENGE ARM	1
11	6882025	SHAFT-COIN RETURN	1
12	6882007	SWITCH ASSEMBLY-SERVICE	1
13	6882004	BUTTON-COIN RETURN	1
14	6882016	HINGE BAR-DOOR	1
PARTS USED WITH BILL VALIDATOR OPTION ONLY			
-	6882056	PLATE - SERVICE KEYPAD MOUNTING (NOT SHOWN)	1
-	6882053	BRACKET - DBV MOUNTING - TOP (NOT SHOWN)	1
-	6882054	BRACKET - DBV MOUNTING - BOTTOM (NOT SHOWN)	1
-	5900288	VALIDATOR - MARS - VN2512-U2M MDB (NOT SHOWN)	1

Café Executive Parts Manual



688p0043

Figure 7. Upper Cabinet and Base Cabinet Door Lock

Café Executive Parts Manual

TABLE 7. UPPER CABINET AND BASE CABINET DOOR LOCK

INDEX	PART NUMBER	DESCRIPTION	QTY
-	-	UPPER CABINET AND BASE CABINET DOOR LOCK (FOR NEXT HIGHER ASSEMBLY, SEE FIGURE 2 AND FIGURE 34)	REF
1	6401035	LOCK-DOOR-TTC #1801-NO KEYS	1
2	6401053	CAM-LOCK-CHICAGO #6-365Z	1
3	6841079	DOOR STRIKE	1
-	2221920	KEY CHICAGO LOCK #1801 NV407	1

Café Executive Parts Manual

TABLE 8. BAG ASSEMBLY - USA

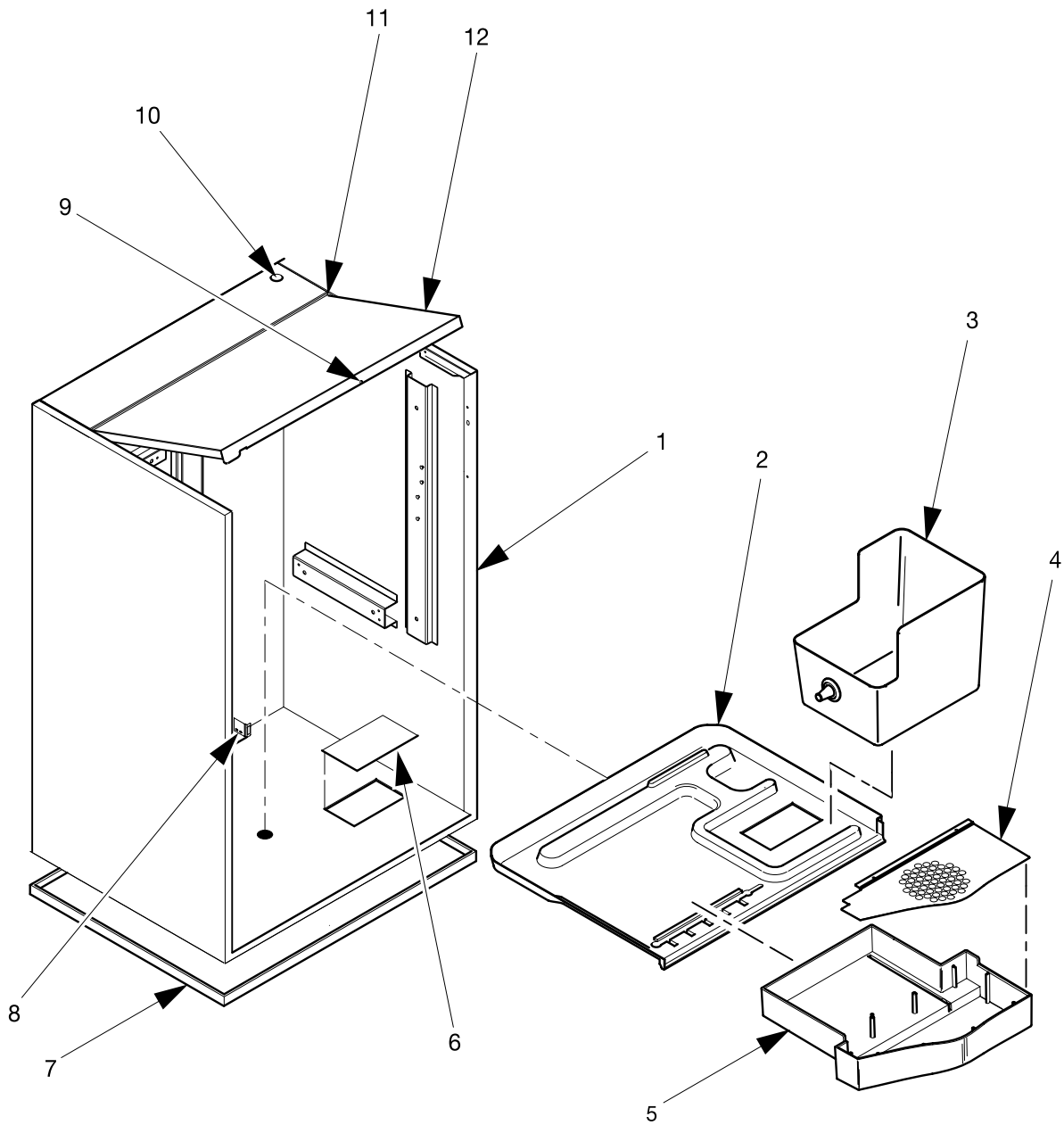
PART NUMBER	DESCRIPTION	QTY
6237117	REMOVAL TOOL-IMPELLER	1
6237347	VINYL CAP-1.00 ID.X.50 LG	3
6408139	NUT & FERRULE ASSY-BRASS#4BT	1
6408140	TUBE-9082699-1/4 OD-2.00"	1
6408141	FITTING-PI-211208-S(RLC38014	1
6408142	LOCKING CLIP-PI-C1808-R(LC14	1
6408143	LOCKING CLIP-PI-C1812R (LC38	1
6840017	LABEL-PRICE & CUP SZ-CAFE'SY	1
6840018	INSERTSET-DUAL CUP-ENGLISH	1
6840019	INSERT SET-SNGL CUP-ENGLISH	1
WD684002	CAFE 7 & EXEC - 120V/230V - WIRE DIA	1
6841073	GASKET-FOAM	1
6880016	OPERATOR'S GUIDE-C7	1
6880018	CAFE' EXEC.SETUP GUIDE	1
4840062	INSTR.HOT WATER TANK CLEANING	1
6840068	INSERT SET - BLANK	1
6880011	INSERT SET-CAFE'EXEC-SNGL CU	1
6880012	INSERT SET-CAFE'EXEC-DUAL CU	1
6882038	LABEL-MENU & INSTR.-ENGLISH	1

Café Executive Parts Manual

TABLE 9. BAG ASSEMBLY - FRENCH CANADA

PART NUMBER	DESCRIPTION	QTY
1300018	BAG PLASTIC	1
6237080	NOZZLE-DISPENSING-F.D.COFFEE	1
6237117	REMOVAL TOOL-IMPELLER	1
6237347	VINYL CAP-1.00 ID.X.50 LG	3
6400084	INSTR SHT-PAPER ROLL/TEA-FR.	1
6400123	C.E.SPECIFICATION SHEET	1
6404064	WASHER-FLAT-NYLON	1
6408139	NUT & FERRULE ASSY-BRASS#4BT	1
6408140	TUBE-9082699-1/4 OD-2.00"	1
6408141	FITTING-PI-211208-S(RLC38014	1
6408142	LOCKING CLIP-PI-C1808-R(LC14	1
6408143	LOCKING CLIP-PI-C1812R (LC38	1
6840017	LABEL-PRICE & CUP SZ-CAFE'SY	1
6840020	INSERT SET-DUAL CUP-FRENCH	1
6840021	INSERT SET-SNGL CUP-FRENCH	1
WD684002	CAFE 7 & EXEC - 120V/230V - WIRE DIA	1
6841073	GASKET-FOAM	1
6880016	OPERATOR'S GUIDE-C7	1
6880018	CAFE' EXEC.SETUP GUIDE	1
4840062	INSTR.HOT WATER TANK CLEANING	1
6840068	INSERT SET - BLANK	1
6880013	INSERT SET-CAFE'EX-SGL CUP-F	1
6880014	INSERT SET-CAFE'EXE-DUAL CP	1
6882039	LABEL-MENU & INSTR.-FRENCH	1

Café Executive Parts Manual



688p0055

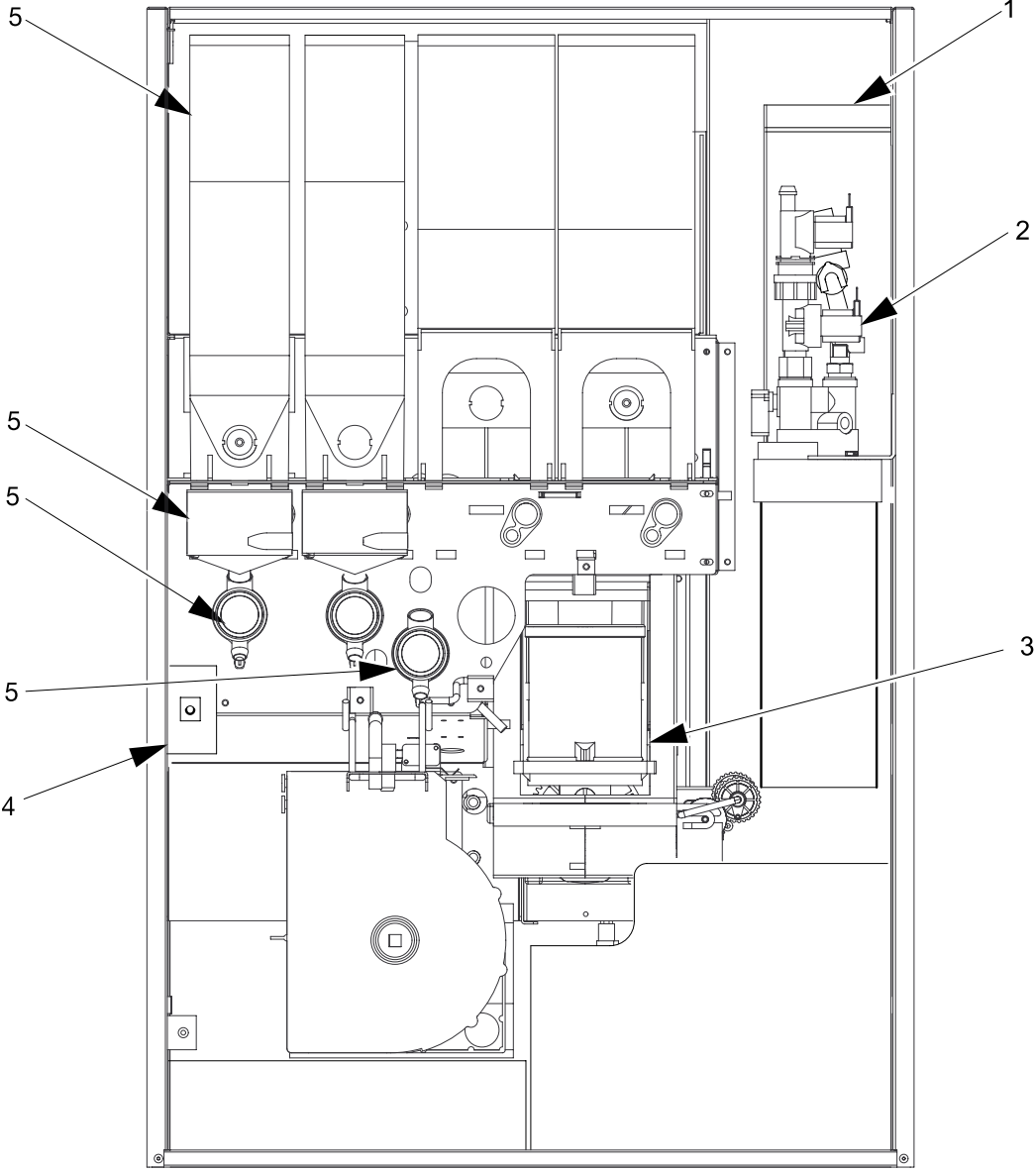
Figure 10. Upper Cabinet Assembly - Part 1

Café Executive Parts Manual

TABLE 10. UPPER CABINET ASSEMBLY - PART 1

INDEX	PART NUMBER	DESCRIPTION	QTY
1	6881000	CABINET ASSEMBLY-ADH.BOND-GLACIER SILVER (SEE FIGURE 11 FOR UPPER CABINET INTERIOR DETAILS)	1
	6881026	CABINET ASSEMBLY-ADH.BOND-MIDNIGHT	
	6881053	CABINET ASSEMBLY - ADH.BOND-GL.SILVER (WITH BILL VALIDATOR)	
2	6881013	LINER-FLOOR-WITH CUT OUT	1
3	6401082	GROUND'S BUCKET ASSEMBLY (USE WHEN THE BASE CABINET DOES NOT HAVE A GROUND'S BUCKET)	1
	6401857	BUCKET-GROUND'S-CUT-OUT (USE WHEN THE BASE CABINET HAS A GROUND'S BUCKET)	
4	6881042	LIQUID DRAIN TRAY-CAFE'EXEC	1
5	6881010	LIQUID DRAIN TRAY-GLACIER SILVER	1
	6881035	LIQUID DRAIN TRAY-MIDNIGHT	
6	6401050	COVER PLATE (USE WHEN BASE CABINET DOES NOT HAVE A GROUND'S BUCKET)	1
7	6841073	GASKET-FOAM	1
8	6841078	LATCH PLATE	1
9	4041102	STUD COLUMN LOCATOR	1
10	6801039	PLUG-HOLE-.75 DIA	1
11	6401024	BEARING-ACCESS COVER	2
12	6881017	COVER-TOP ACCESS-GLACIER SILVER	1
	6881034	COVER-TOP ACCESS-MIDNIGHT	
	6881048	COVER-TOP ACCESS-GLA.SLV-DBV	

Café Executive Parts Manual



688p0026

Figure 11. Upper Cabinet Assembly - Part 2

Café Executive Parts Manual

TABLE 11. UPPER CABINET ASSEMBLY - PART 2

INDEX	PART NUMBER	DESCRIPTION	QTY
1	6848000	TANK ASSY-BASIC ONE VALVE-DOM. (SEE FIGURE 26)	1
2	6848008	FILTER HEAD ASSY-EVERPURE-115V (SEE FIGURE 29)	1
	6848011	FILTER HEAD ASY-HYDROLIFE-115V (SEE FIGURE 30)	
3	6404110	BREWER ASSEMBLY (FRESH BREW ONLY) (SEE FIGURE 15)	1
4	-	INTERLOCK AND FLOAT SWITCHES (SEE FIGURE 14)	1
5	-	CANISTERS AND PRODUCT DISPENSING SYSTEM (SEE FIGURE 18)	-

Café Executive Parts Manual

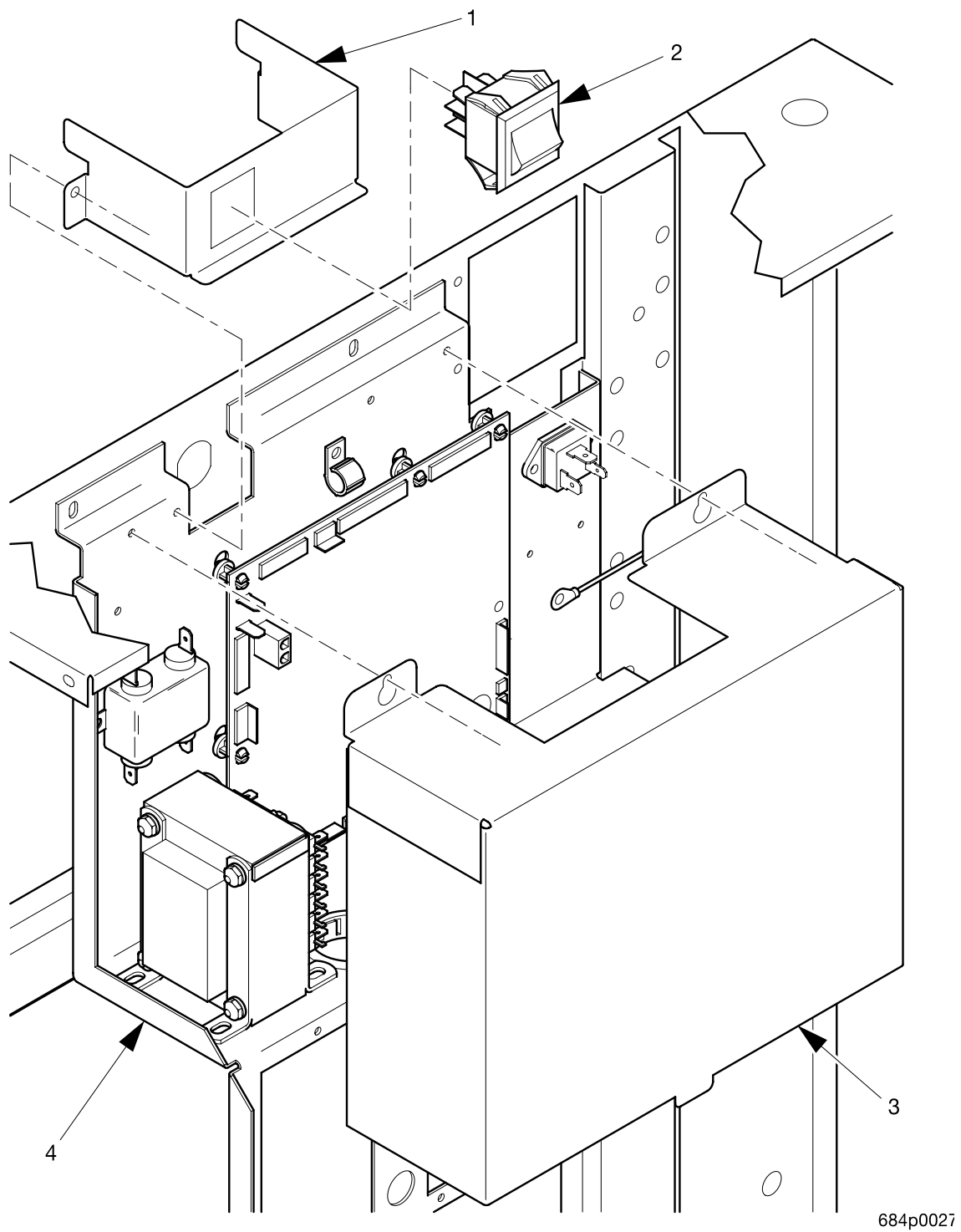


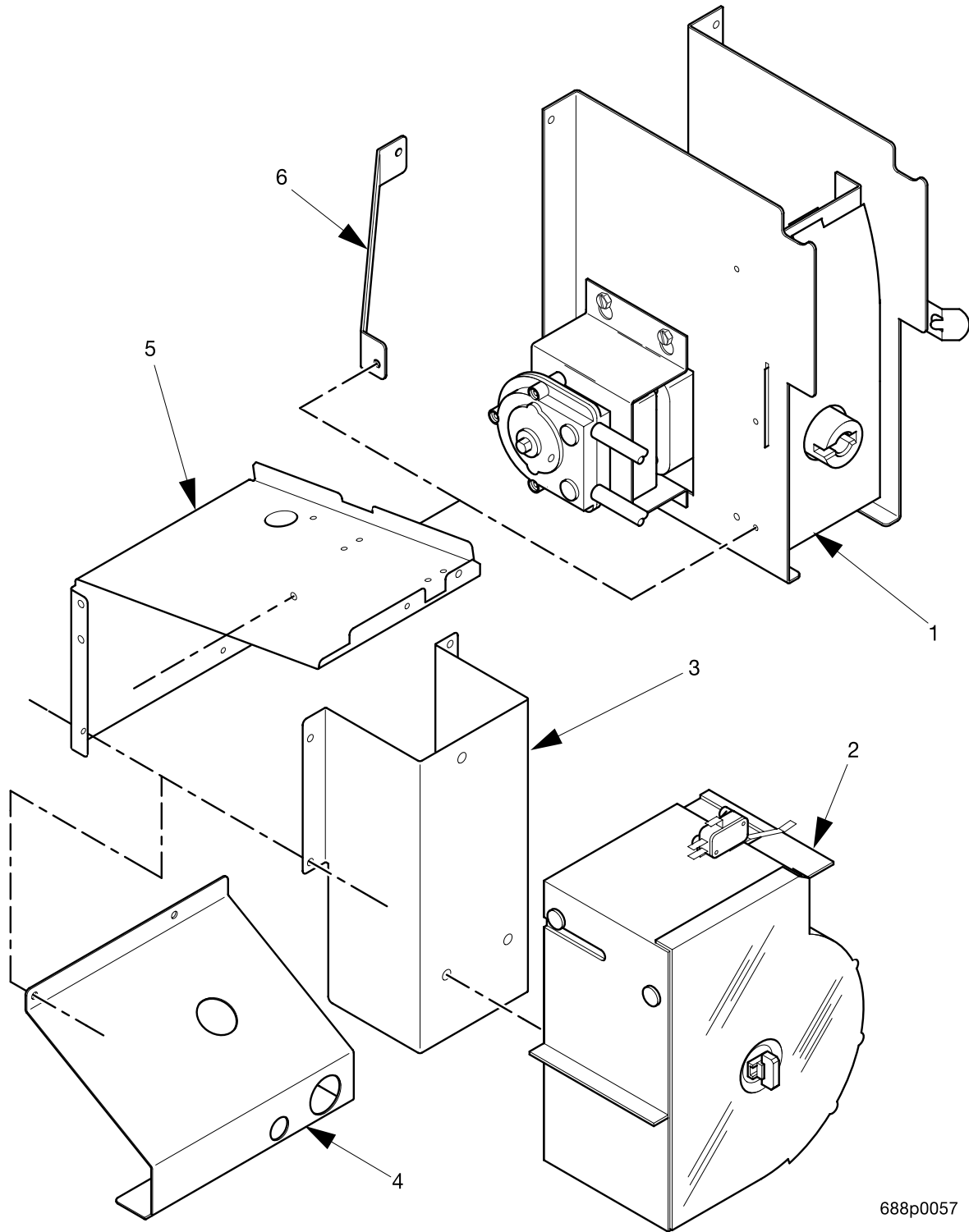
Figure 12. Upper Cabinet Assembly - Part 2

Café Executive Parts Manual

TABLE 12. UPPER CABINET ASSEMBLY - PART 2

INDEX	PART NUMBER	DESCRIPTION	QTY
1	6841064	BRACKET-MAIN SWITCH	1
2	6841065	SWITCH-ROCKER	1
3	6841025	COVER-CABINET ELECTRONICS	1
4	6881018	POWER PANEL & SUPPORT ASSEMBLY - 115V (SEE FIGURE 28)	1

Café Executive Parts Manual



688p0057

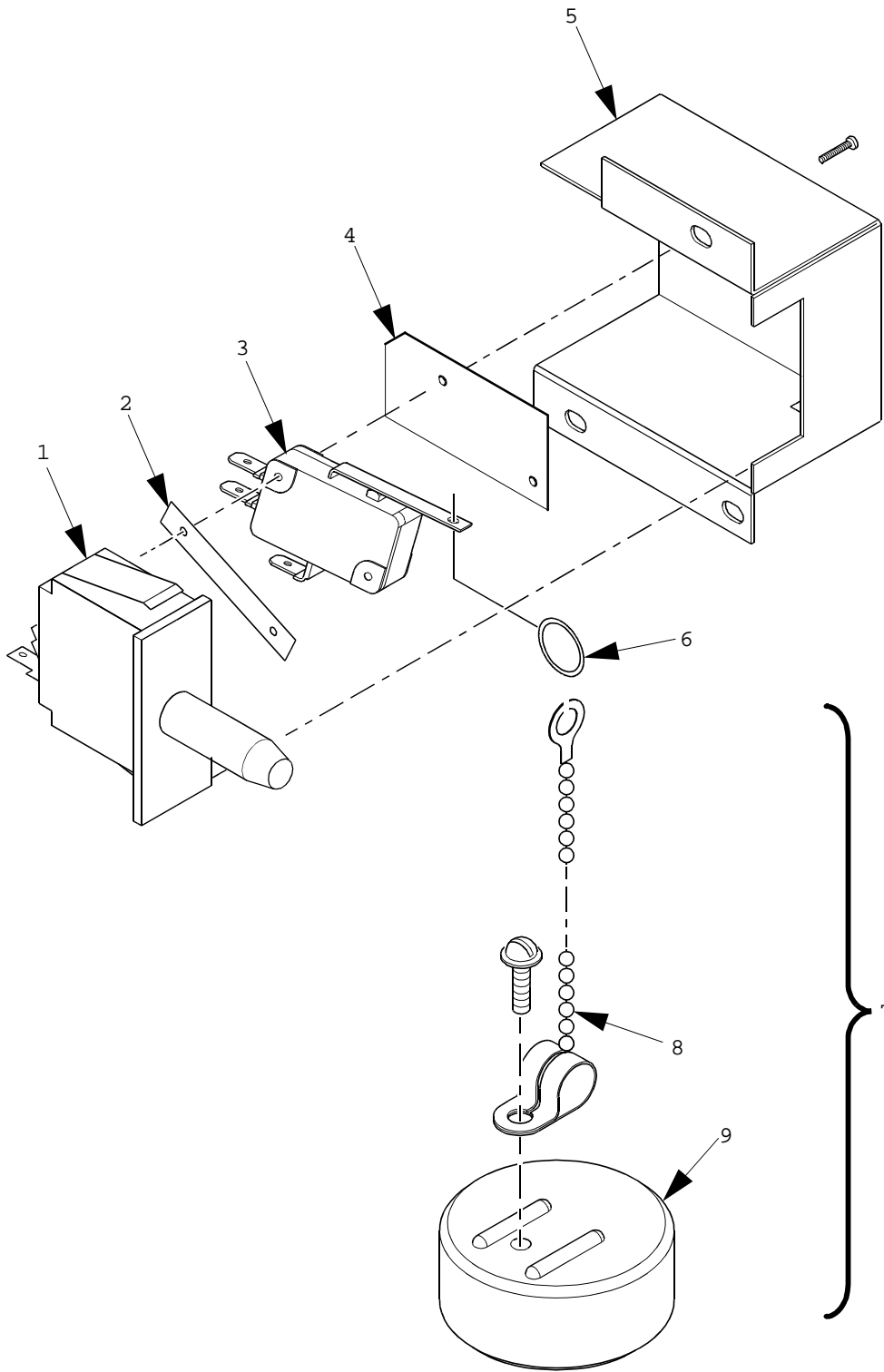
Figure 13. Upper Cabinet Assembly - Part 3

Café Executive Parts Manual

TABLE 13. UPPER CABINET ASSEMBLY - PART 3

INDEX	PART NUMBER	DESCRIPTION	QTY
1	6844002	BREWER DRIVE & PUMP ASSEMBLY - 115V (FRESH BREW) (SEE FIGURE 31)	1
2	6404112	FILTER PAPER HOUSING ASSEMBLY (FRESH BREW) (SEE FIGURE 33)	1
3	6841024	CHANNEL-MTG-FILT.PAPER HOUSING (FRESH BREW)	1
4	6851002	BRACKET-SUPPORT-DRAIN TRAY (FREEZE DRY)	1
5	6881020	SUPPORT-PAPER HOUSING	1
6	6851003	STIFFENER-PAPER HOUSING (FREEZE DRY)	1

Café Executive Parts Manual



688p0052

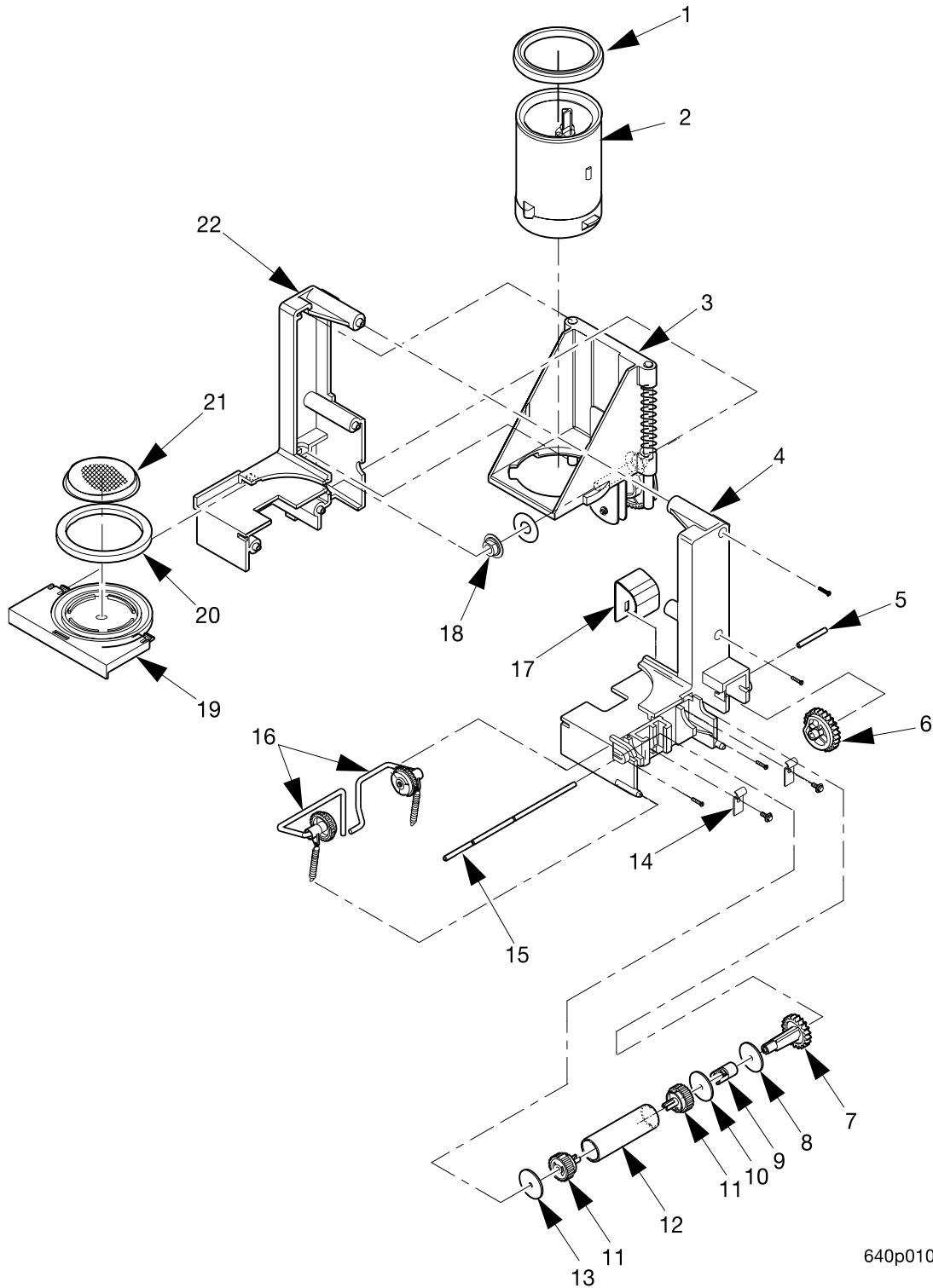
Figure 14. Interlock and Float Switches

Café Executive Parts Manual

TABLE 14. INTERLOCK AND FLOAT SWITCHES

INDEX	PART NUMBER	DESCRIPTION	QTY
-	-	INTERLOCK SWITCH/FLOAT ASSEMBLY (FOR NEXT HIGHER ASSEMBLY, SEE FIGURE 11)	REF
1	4271109	SWITCH-PANEL MOUNT	1
2	4302316	NUT PLATE	1
3	6401036	SWITCH - LEVER	1
4	6112042	INSULATOR SWITCH	1
5	6841029	HOUSING-INTERLOCK SWITCH	1
6	6841080	COIL-FLOAT SWITCH	1
7	6401037	FLOAT ASSEMBLY - DRAIN TRAY (INCLUDES INDEX ITEMS 7 AND 8)	1
8	6401056	CHAIN - FLOAT SWITCH	1
9	6401055	FLOAT - DRAIN TRAY	1

Café Executive Parts Manual



640p0104

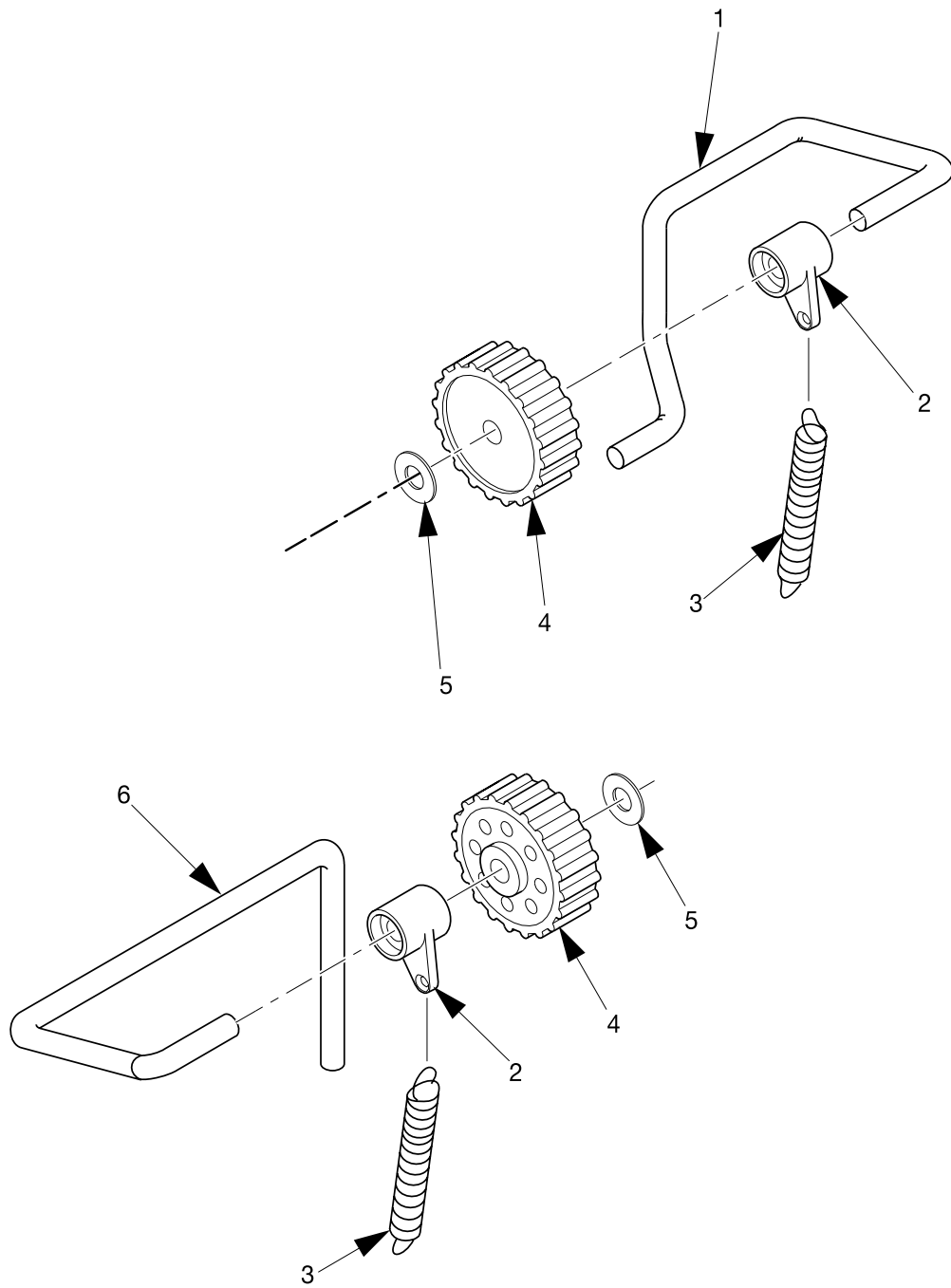
Figure 15. Brewer Assembly

Café Executive Parts Manual

TABLE 15. BREWER ASSEMBLY

INDEX	PART NUMBER	DESCRIPTION	QTY
-	6404110	BREWER ASSEMBLY (FOR NEXT HIGHER ASSEMBLY, SEE FIGURE 11) (FOR NEXT HIGHER ASSEMBLY, SEE FIGURE 11)	REF
1	6404031	LID - BREWER CYLINDER	1
2	6404004	CYLINDER - BREWER	1
3	6404050	CARRIER AND CAM FOLLOWER ASSEMBLY (SEE FIGURE 17)	1
4	6404109	HOUSING - BREWER -RIGHT	1
5	6404023	AXLE - INDEX GEAR	1
6	6404022	GEAR - PAPER INDEX PINION	1
7	6404024	GEAR - DRIVE - PAPER	1
8	6404038	WASHER - 1.25 OD X 0.406 ID X 0.050	1
9	6234603	ROLLER DRIVE - PAPER MECHANISM	1
10	6404039	WASHER - 1.25 OD X 0.540 ID X 0.050	1
11	6234620	ROLLER END CAP - PAPER MECH	2
12	6404026	ROLLER - PAPER EXTRUSION	1
13	6404037	WASHER - 1.25 OD X 0.203 ID X 0.050	1
14	6404114	RETAINER IDLER AXLE	1
15	6404025	SHAFT - PAPER DRIVE	1
16	-	IDLER AXLE AND ROLLER ASSEMBLIES LEFT AND RIGHT (SEE FIGURE 16)	-
17	6404113	GUIDE - PAPER	1
18	4047012	SHOULDER BUSHING - 60 X 60 MESH	
19	6404008	HOUSING - SCREEN AND SEAL	1
20	6404090	SEAL - BREWER	1
21	6404070	SCREEN - BREWER	1
22	6404001	HOUSING - BREWER - LEFT SIDE	1

Café Executive Parts Manual



640p0092

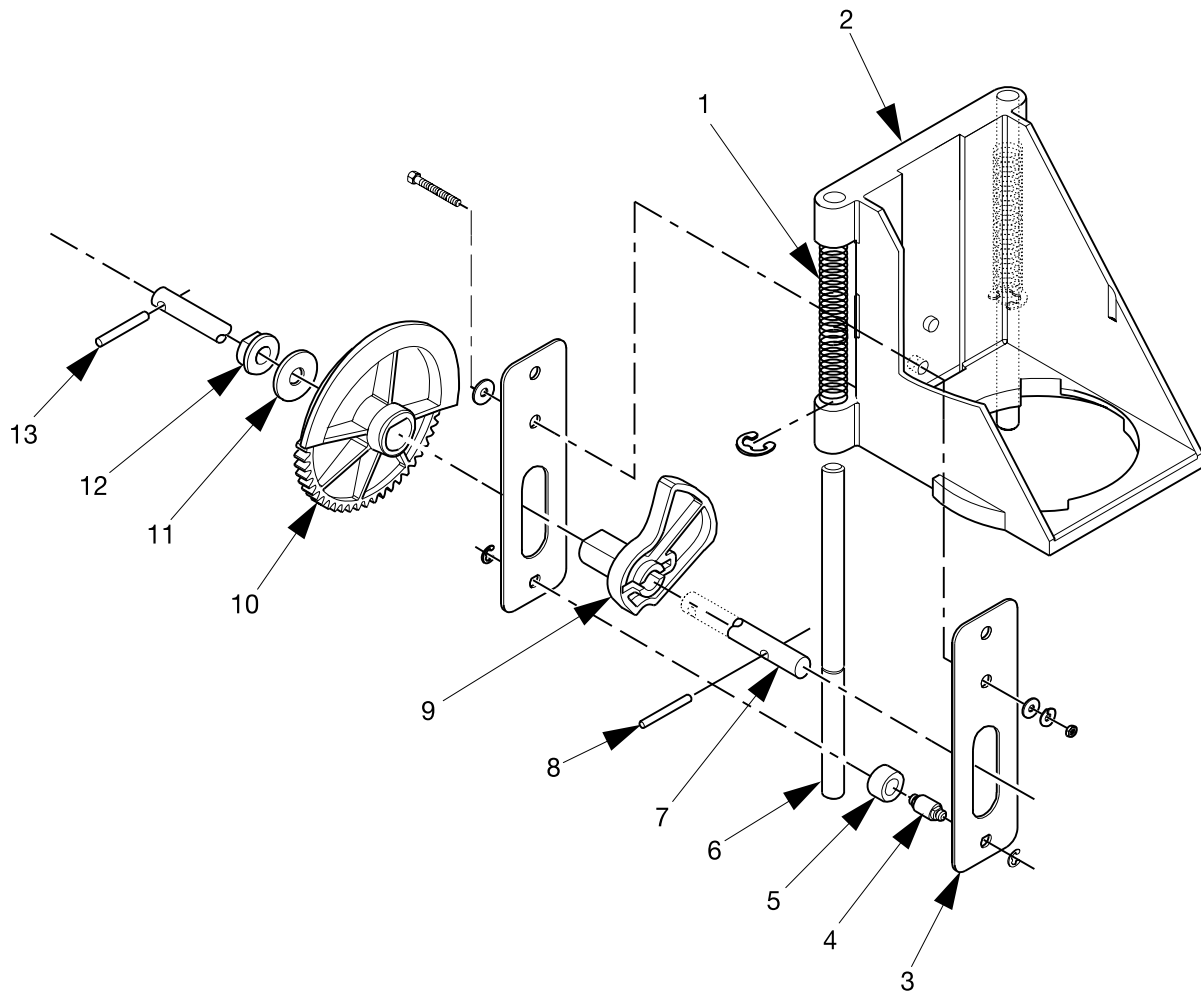
Figure 16. Idler Axle and Roller Assemblies

Café Executive Parts Manual

TABLE 16. IDLER AXLE AND ROLLER ASSEMBLIES

INDEX	PART NUMBER	DESCRIPTION	QTY
-	6404107	IDLER AXLE AND ROLLER ASSEMBLY - LEFT	1
-	6404108	IDLER AXLE AND ROLLER ASSEMBLY - RIGHT	1
1	6404096	AXLE - IDLER - ROLLER - RIGHT	1
2	6404030	TOGGLE - SPRING	2
3	6404067	SPRING - EXTENSION	2
4	6404098	DRIVE/IDLER - PAPER DRIVE	2
5	6404027	RETAINER - GROOVELESS	2
6	6404095	AXLE - IDLE - ROLLER - LEFT	1

Café Executive Parts Manual



640p0103

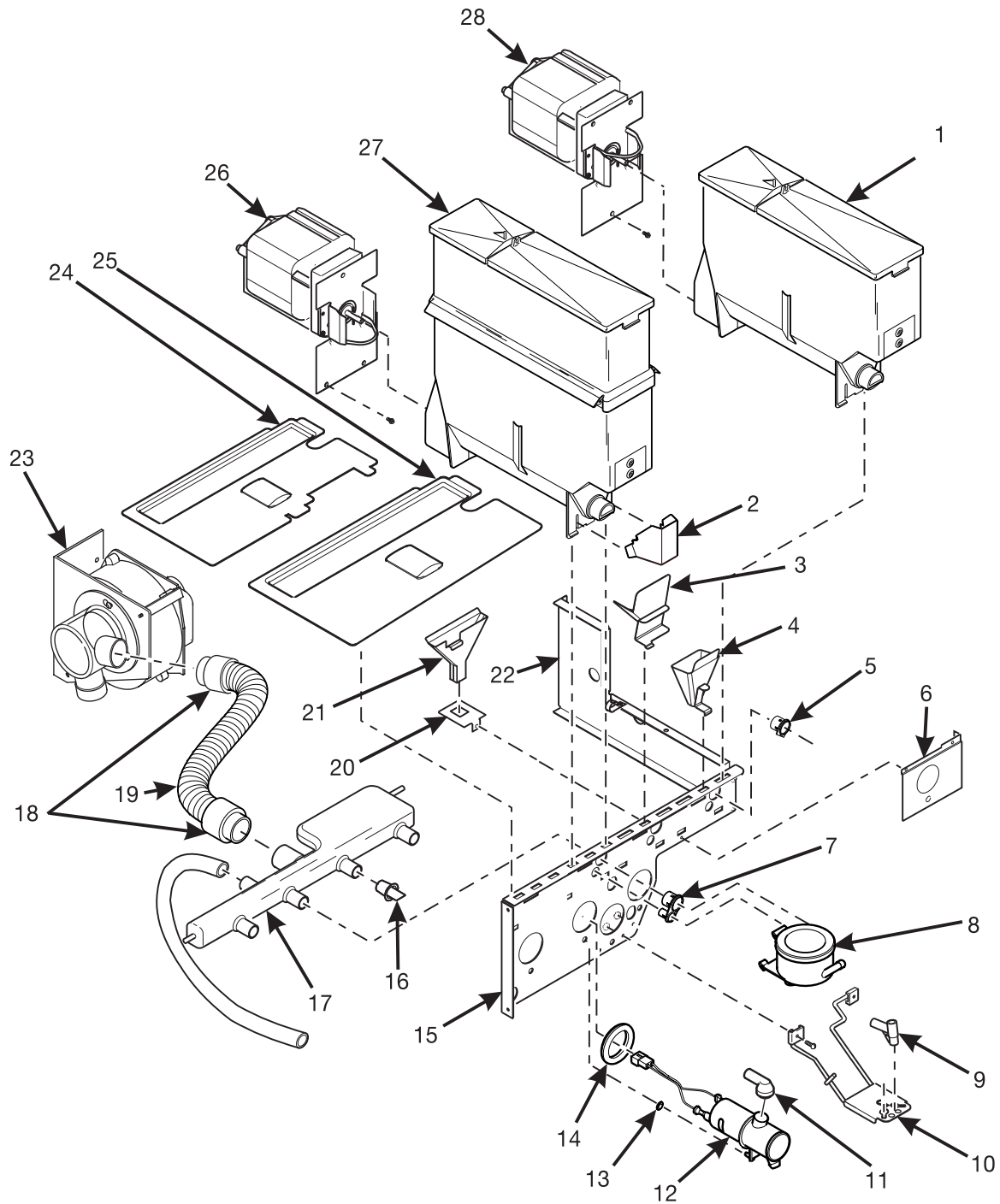
Figure 17. Carrier and Cam Follower Assembly

Café Executive Parts Manual

TABLE 17. CARRIER AND CAM FOLLOWER ASSEMBLY

INDEX	PART NUMBER	DESCRIPTION	QTY
-	6404050	CARRIER AND CAM FOLLOWER ASSEMBLY (FRESH BREW)	REF
1	6404017	SPRING - CARRIER	2
2	6404003	CARRIER - CYLINDER	1
3	6404019	PLATE - CAM FOLLOWER	1
4	6404073	SHAFT - CAM FOLLOWER	1
5	6404074	ROLLER - CAM FOLLOWER	1
6	6404018	SHAFT - CARRIER BEARING	1
7	6404013	SHAFT - CAM	1
8	4047061	PIN - ROLL - 1/8 X 1 1/8	1
9	6404014	CAM - CYCLINDER CARRIER	1
10	6404015	GEAR - PAPER INDEX DRIVE	1
11	6134042	WASHER - 1 X 0.390 X 22 GAUGE	1
12	4047012	BUSHING - SHOULDER	1
13	6133157	PIN - ROLL - 3/16 X 1	1

Café Executive Parts Manual



688p0050

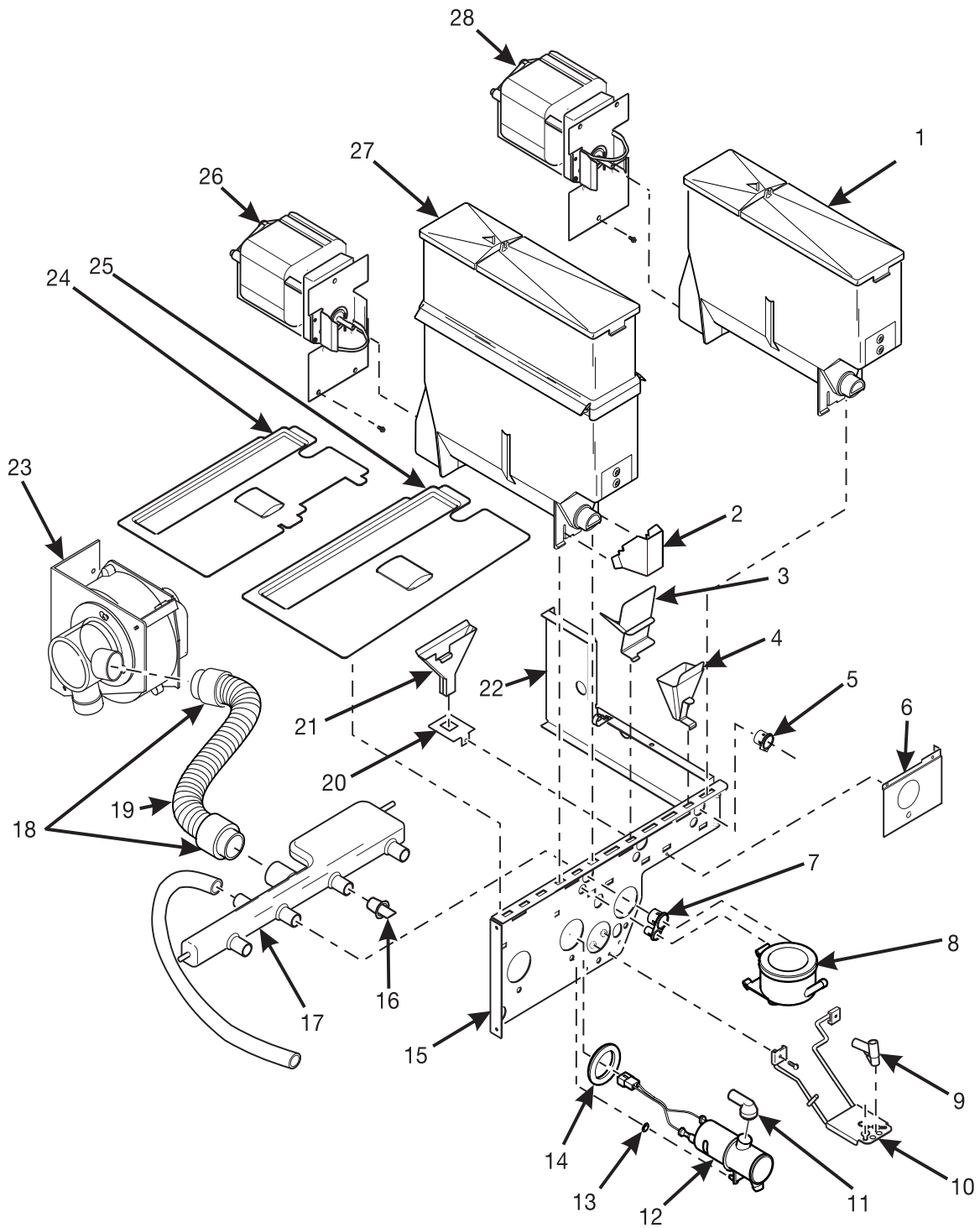
Figure 18. Canister and Product Dispensing System

Café Executive Parts Manual

TABLE 18. CANISTER AND PRODUCT DISPENSING SYSTEM

INDEX	PART NUMBER	DESCRIPTION	QTY
1	6407043	CANISTER ASSEMBLY - PREGROUND COFFEE (SEE FIGURE 23) (USED WITH EACH FRESH BREW SELECTION)	OPT
	6237445	CANISTER ASSEMBLY - FD COFFEE (SEE FIGURE 22) (USED WITH EACH FREEZE DRY SELECTION)	
	6237450	CANISTER ASSEMBLY - NO SLEEVE (SEE FIGURE 24) (USED WITH EACH SOLUBLE PRODUCT, WHITENER AND HOT CHOCOLATE SELECTION)	
2	6337015	BRACKET - CHOCOLATE DEFLECTOR (USED WITH EACH FREEZE DRY, SOLUBLE PRODUCT, WHITENER AND HOT CHOCOLATE SELECTION)	OPT
3	6407028	CHUTE ASSEMBLY LEFT (USED WHEN FRESH BREW SELECTION IS PRESENT IN CENTER CANISTER POSITION)	OPT
4	6237241	CHUTE ASSEMBLY - PREGROUND COFFEE (USED WHEN FRESH BREW SELECTION IS PRESENT IN RIGHT CANISTER POSITION)	1
5	6407039	EXTENSION-MANIFOLD (USED WHEN FRESH BREW SELECTION IS PRESENT)	1-OPT
6	6401085	PLATE-WHIPPER MOUNTING (FREEZE DRY)	1-OPT
7	6237315	RETAINER - TUBE - MIXING BOWL (ONE REQUIRED FOR EACH MIXING BOWL)	OPT
8	6237127	MIXING BOWL ASSEMBLY (SEE FIGURE 19) (USE ONE FOR EACH SOLUBLE PRODUCT, WHITENER AND HOT CHOCOLATE SELECTION)	OPT
	6417000	MIXING BOWL ASSEMBLY (SEE FIGURE 19) (USE FOR FREEZE DRY SELECTIONS)	
9	-	NOZZLE - (SEE FIGURE 20)	OPT
10	6881046	NOZZLE SUPPORT ASSEMBLY	1
11	6407019	COUPLER-WHIPPER-LIQUID (USED WHEN FRESH BREW SELECTION IS PRESENT)	1-OPT
12	6237195	WHIPPER ASSEMBLY (SEE FIGURE 19)	OPT
13	2302223	GROMMET 3/16 (ONE REQUIRED FOR EACH WHIPPER ASSEMBLY)	OPT
14	6237115	GROMMET - WHIPPER MOUNTING (ONE REQUIRED FOR EACH WHIPPER ASSEMBLY)	OPT
15	6881021	SUPPORT-CANISTER	1
16	6237303	PLUG-CENTER PULL (USE WHEN A MIXING BOWL IS NOT CONNECTED TO THE EXHAUST BLOWER MANIFOLD)	OPT

Café Executive Parts Manual



688p0050

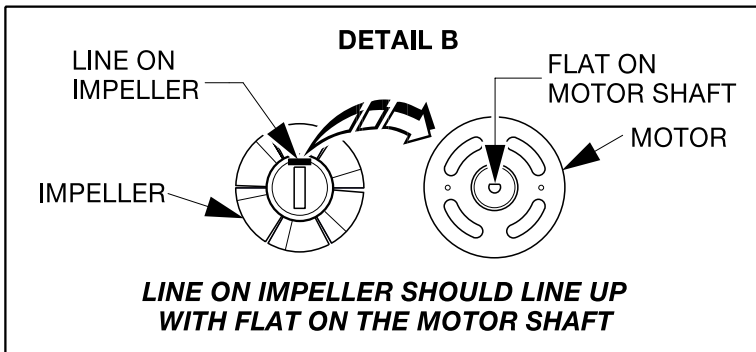
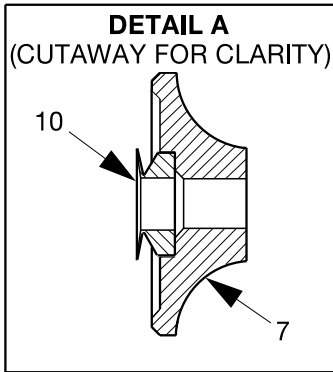
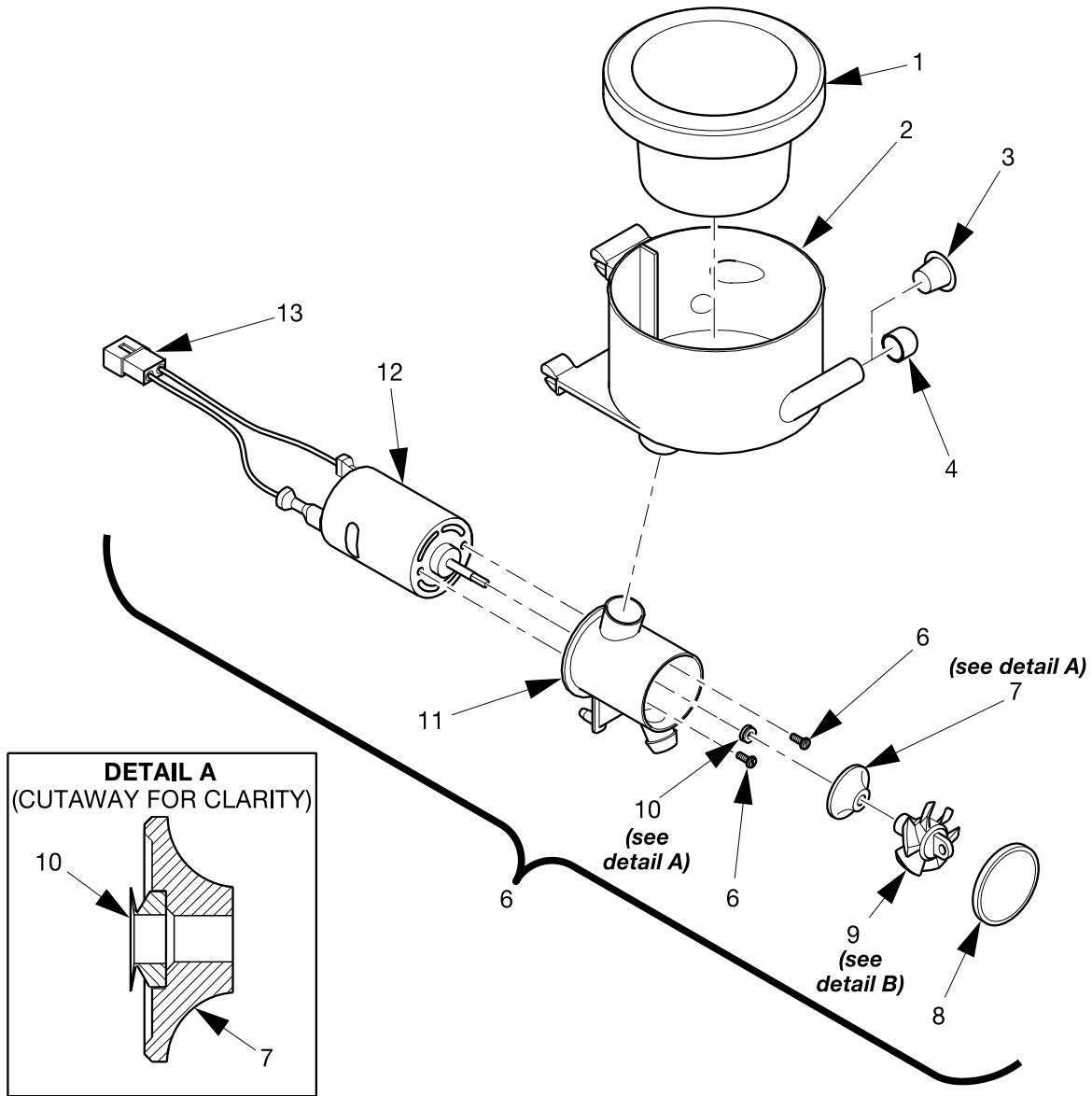
Figure 18. Canister and Product Dispensing System (Continued)

Café Executive Parts Manual

TABLE 18. CANISTER AND PRODUCT DISPENSING SYSTEM

INDEX	PART NUMBER	DESCRIPTION	QTY
17	6881011	MANIFOLD-EXHAUST BLOWER-FB (THERE IS A 5.25.X 2.10 HOLE IN THE BOTTOM OF THE MANIFOLD WHICH VENTS THE BREWER)	1
	6881012	MANIFOLD-EXHAUST BLOWER-FD (THERE IS NO HOLE IN THE BOTTOM OF THE MANIFOLD)	
18	6137157	COUPLING VENT HOSE	2
19	6408207	HOSE-EXHAUST-6137109-12.00" LG	1
20	6407017	HOLDER - GROUNDS CHUTE (USED WHEN FRESH BREW SELECTION IS PRESENT)	1
21	6407014	CHUTE ASSEMBLY - GROUNDS - LOWER (USED WHEN FRESH BREW SELECTION IS PRESENT)	1
22	6401019	SUPPORT BRACKET-CANISTER	1
23	6841030	BRACKET AND BLOWER ASSEMBLY-115V (SEE FIGURE 21)	1
24	6231376	MOTOR CHANNEL COVER @ USED TO COVER OPENINGS IN CANISTER MOTOR SUPPORT WHEN MOTOR AND PLATE ASSEMBLIES ARE NOT PRESENT	@
25	6891001	TRAY-CANISTER-F.D.	1
26	6881014	TRAY-CANISTER-F.B.	1
27	6237436	MOTOR AND PLATE ASSEMBLY - 115 VAC - 200 RPM * USED WITH EACH FREEZE DRY COFFEE, SOLUBLE PRODUCT, CHOCOLATE AND WHITENER SELECTION	*
28	6237447	CANISTER ASSEMBLY - CHOCOLATE (ONE OR TWO REQUIRED DEPENDING ON SELECT/WHIPPER OPTION) (SEE FIGURE 25)	OPT
29	6237438	MOTOR AND PLATE ASSEMBLY - COFFEE - 115VAC # USED WITH EACH FRESH BREW COFFEE OR DECAF SELECTION	#

Café Executive Parts Manual



684p0033

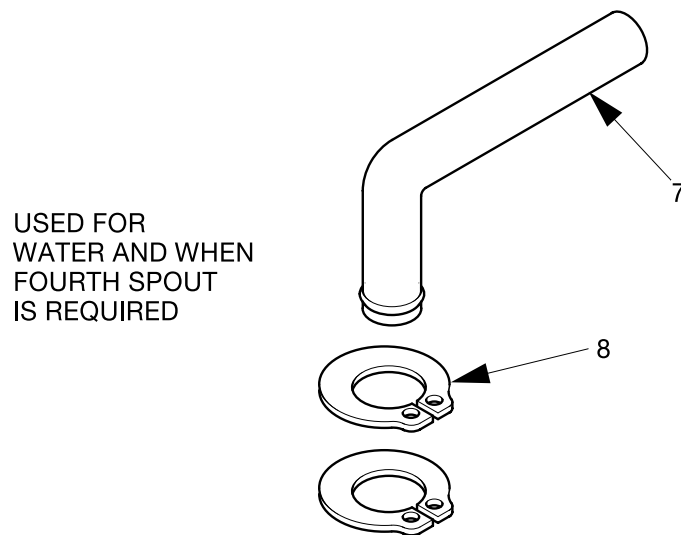
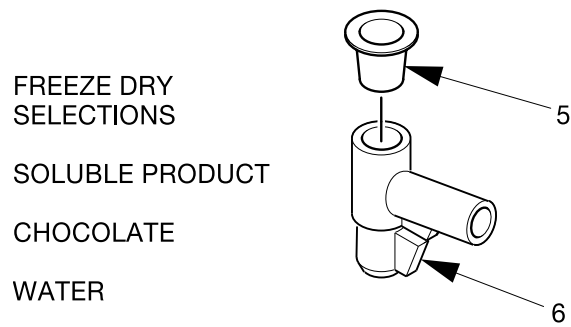
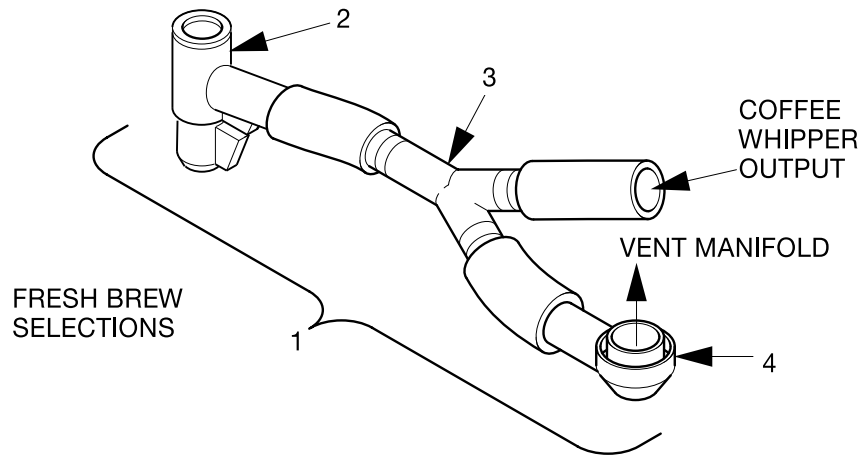
Figure 19. Mixing Bowl and Whipper Assemblies

Café Executive Parts Manual

TABLE 19. MIXING BOWL AND WHIPPER ASSEMBLIES

INDEX	PART NUMBER	DESCRIPTION	QUANTITY PER MIXING BOWL ASSEMBLY (BY PART NUMBER)	
			6237127	6417000
-	-	MIXING BOWL ASSEMBLIES	REF	REF
1	6237313	VENT-BOWL	1	1
2	6237118	MIXING BOWL	1	-
2	6417001	MIXING BOWL-CUT OFF	-	1
3	4711020	CAPLUG-SPOUT-NATURAL	-	1
4	6237306	VINYL CAP- .38 I.D.	1	-
5	6237195	WHIPPER ASSEMBLY (INCLUDES INDEX NUMBERS 6 THROUGH 13) (FOR NEXT HIGHER ASSEMBLY, SEE FIGURE 18)	1	1
6	6237119	SCREW-M3XL.5-6MM-SPH	2	2
7	6237192	SPACER-WHIPPER	1	1
8	6237114	COVER-WHIPPER	1	1
9	6237194	IMPELLER-WHIPPER	1	1
10	6237110	"V" RING-SHAFT SEAL	1	1
11	6237193	HOUSING-IMPELLER	1	1
12	6237111	MOTOR ASSEMBLY-WHIPPER	1	1
13	6237157	HARNESS-WHIPPER MOTOR	1	1
THE FOLLOWING IS INCLUDED IN THE BAG ASSEMBLY:				
-	6237117	IMPELLER REMOVAL TOOL	-	-

Café Executive Parts Manual



684p0032

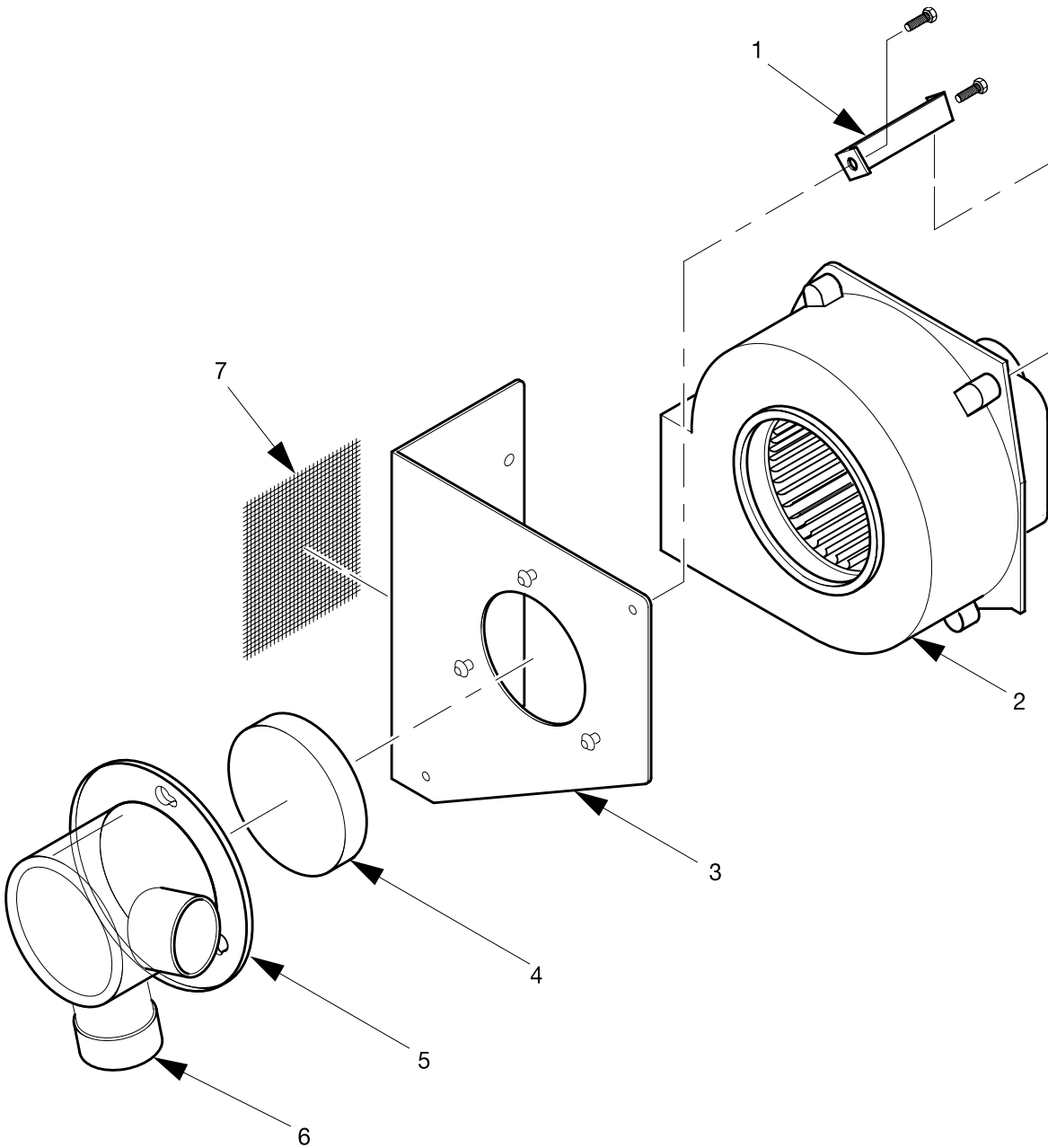
Figure 20. Dispensing Spouts

Café Executive Parts Manual

TABLE 20. DISPENSING SPOUTS

INDEX	PART NUMBER	DESCRIPTION	QTY
-	-	DISPENSING SPOUTS (FOR NEXT HIGHER ASSEMBLY, SEE FIGURE 18)	REF
1	6881043	COFFEE SPOUT & TUBE ASSEMBLY (INCLUDES INDEX NUMBERS 2 THROUGH 4) * USED WITH FRESH BREW SELECTIONS	*
2	6407032	SPOUT ASSEMBLY-SCREEN & CAP	*
3	6138094	CONNECTOR-"Y" TYPE	*
4	6407019	COUPLER-WHIPPER-LIQUID	*
5	4711020	CAPLUG-SPOUT-NATURAL # USED WITH FREEZE DRY COFFEE, SOLUBLE PRODUCT, HOT CHOCOLATE AND HOT WATER SELECTIONS. SEE INDEX NUMBERS 7 AND 8 WHEN A FOURTH SPOUT IS REQUIRED	#
6	6407044	SPOUT-DISPENSING-W/SPLITTER	#
7	6407029	NOZZLE-HOT WATER @ USED WITH HOT WATER SELECTION WHEN A FOURTH SPOUT IS REQUIRED	@
8	6407030	RETAINING RING-SELF LOCKING	2-@

Café Executive Parts Manual



688p0045

Figure 21. Blower Assembly

Café Executive Parts Manual

TABLE 21. BLOWER ASSEMBLY

INDEX	PART NUMBER	DESCRIPTION	QTY
-	6841030	BRACKET AND BLOWER ASSEMBLY 115 VAC (INCLUDES ITEMS 1 THROUGH 6)	1
1	6231553	TIEDOWN - BLOWER ASSEMBLY	1
2	6231548	BLOWER - 115 VAC	1
3	6841031	BRACKET ASSEMBLY - BLOWER MOUNTING	1
4	6237340	FILTER - EXHAUST BLOWER	1
5	6237342	HOUSING - EXHAUST BLOWER	1
6	6237305	VINYL CAP	1
7	6841028	SCREEN - EXHAUST FAN	1

Café Executive Parts Manual

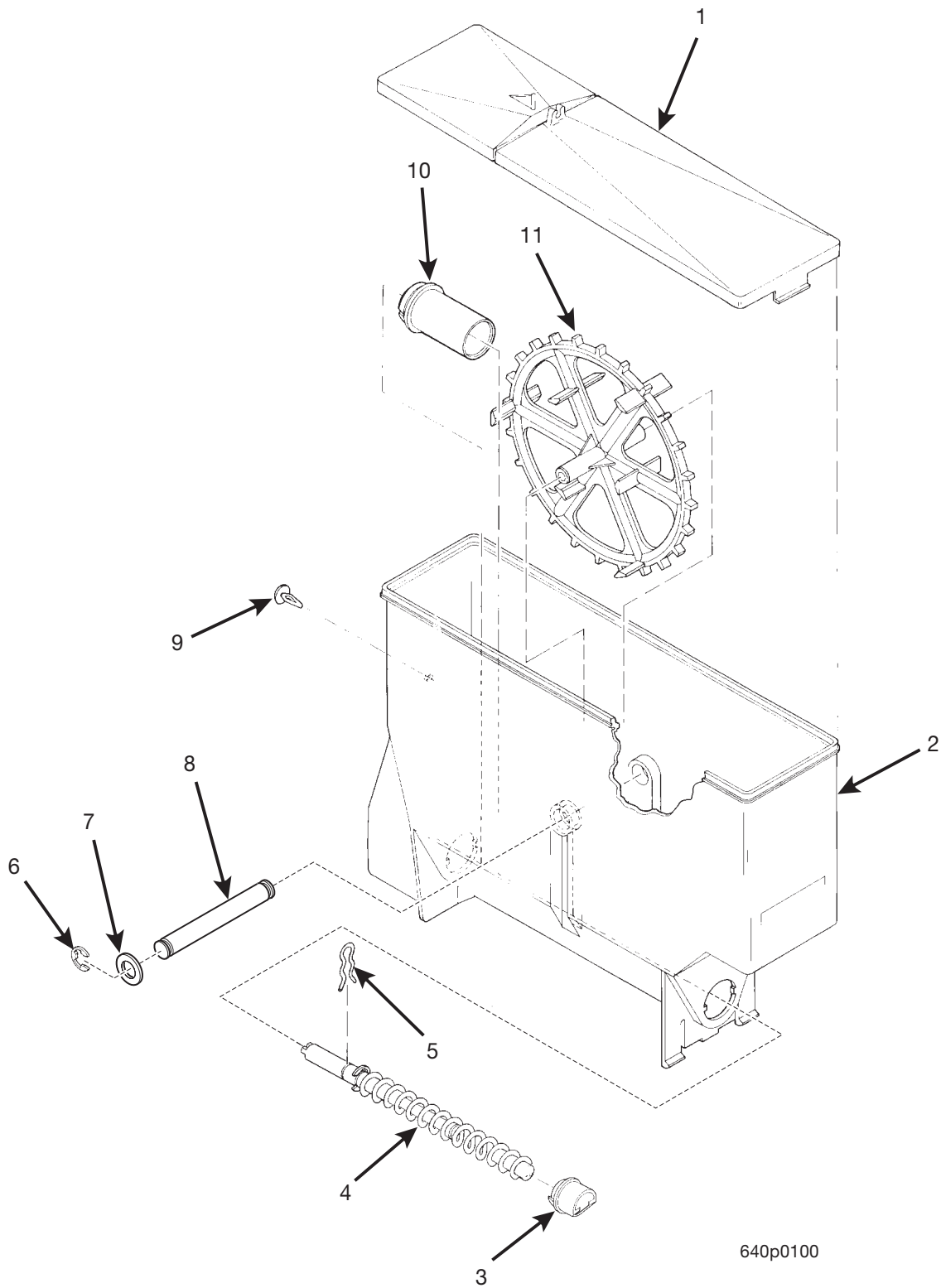


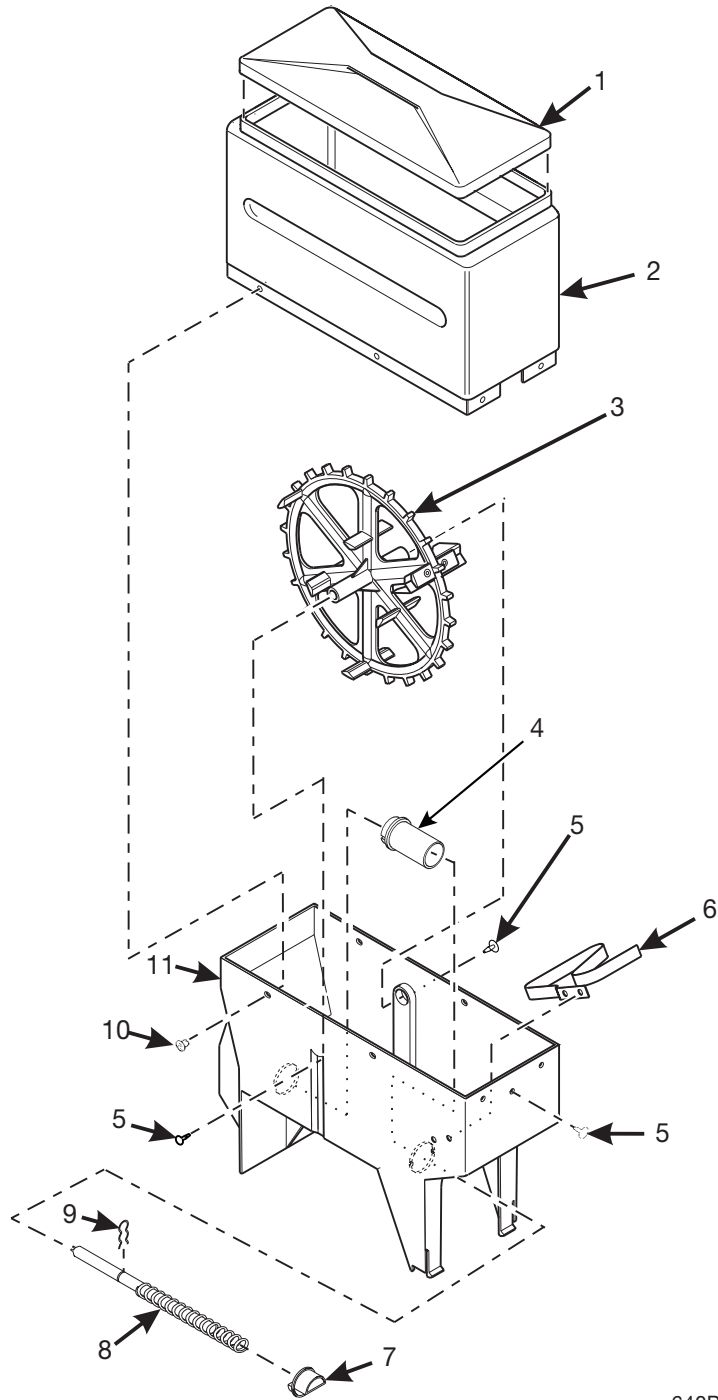
Figure 22. Canister Assembly - Freeze Dry Coffee

Café Executive Parts Manual

TABLE 22. CANISTER ASSEMBLY - FREEZE DRY COFFEE

INDEX	PART NUMBER	DESCRIPTION	QTY
-	6237445	CANISTER ASSEMBLY - FD COFFEE	REF
1	6237023	LID - CANISTER	1
2	6237176	BASE - CANISTER	1
3	6237080	NOZZLE - DISPENSING - FD COFFEE	1
4	6237178	AUGER AND SHAFT ASSEMBLY	1
5	6337020	CLIP - SPRING	1
6	9900415	RETAINING RING - TYPE E	2
7	6237116	WASHER - SEAL - WEAR PLATE	2
8	6237167	SHAFT - CANISTER	1
9	6237053	FASTENER - PUSH IN	1
10	6237014	BEARING - CANISTER	1
11	6237181	MIXING WHEEL	1

Café Executive Parts Manual



640P0108

Figure 23. Canister Assembly - Preground Coffee

Café Executive Parts Manual

TABLE 23. CANISTER ASSEMBLY - PREGROUND COFFEE

INDEX	PART NUMBER	DESCRIPTION	QTY
-	6407043	CANISTER ASSEMBLY - PREGROUND COFFEE	REF
1	6407021	LID - CANISTER - FB COFFEE	1
2	6407047	SLEEVE - CANISTER - FB COFFEE - SHORT	1
3	6407045	MIXING WHEEL ASSEMBLY - FB COFFEE	1
4	6237014	BEARING - CANISTER	1
5	6237053	FASTENER - PUSH IN	3
6	6407023	SPRING - THUMPER - COFFEE - PREGROUND	1
7	6237063	NOZZLE - DISPENSING - COFFEE	1
8	6237095	AUGER AND SHAFT ASSEMBLY - COFFEE	1
9	6337020	CLIP - SPRING	1
10	6237019	ALUMINUM RIVET - POP	8
11	6407042	BASE - PREGROUND COFFEE - DRILLED	1

Café Executive Parts Manual

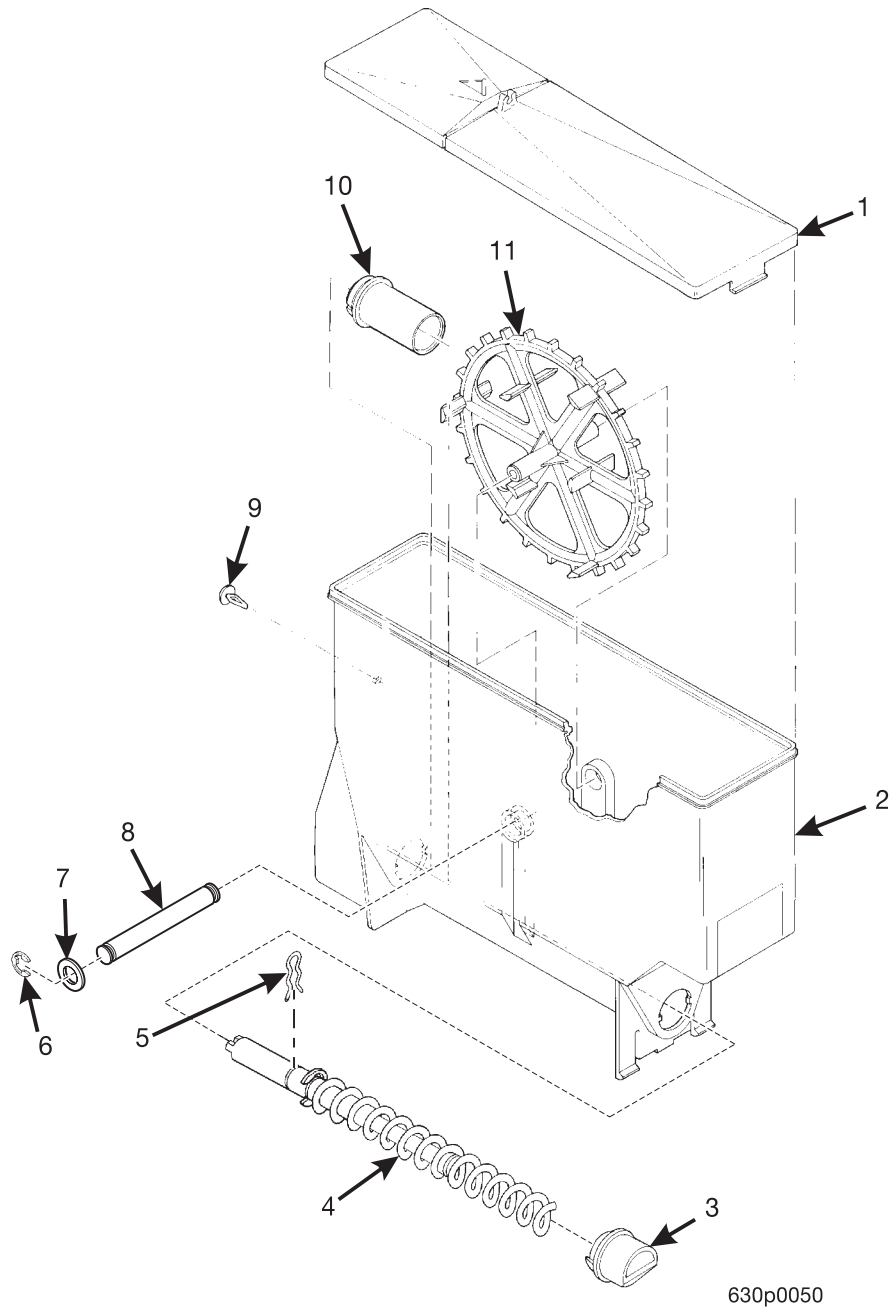


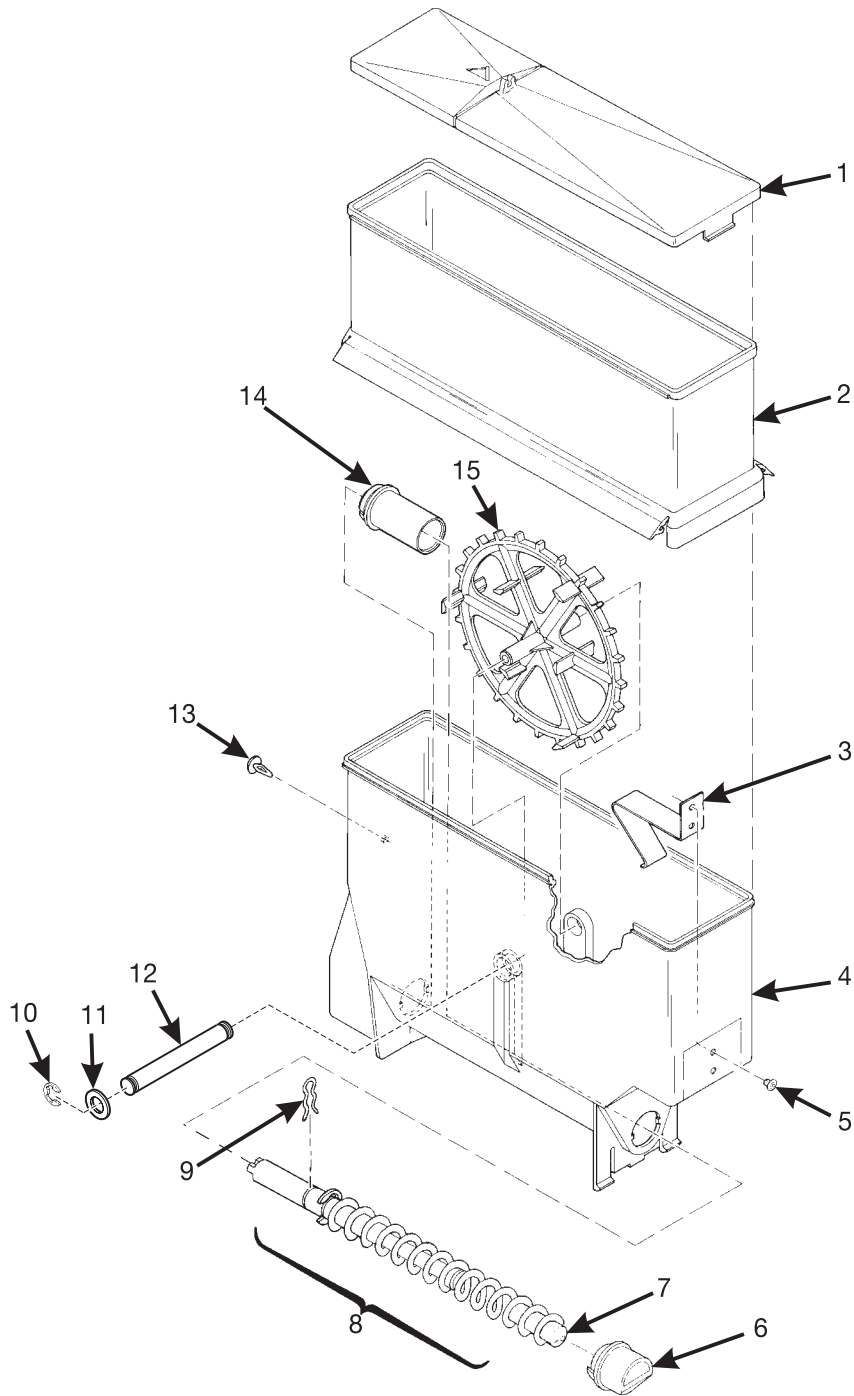
Figure 24. Canister Assembly - No Sleeve

Café Executive Parts Manual

TABLE 24. CANISTER ASSEMBLY - NO SLEEVE

INDEX	PART NUMBER	DESCRIPTION	QTY
-	6237450	CANISTER ASSEMBLY - NO SLEEVE - WITH WHEEL	REF
1	6237023	LID - CANISTER	1
2	6237176	BASE - CANISTER - THUMPER	1
3	6237063	NOZZLE-DISPENSING-CANISTER	1
4	6237178	AUGER AND SHAFT ASSEMBLY	1
5	6337020	CLIP - SPRING	1
6	9900415	RETAINING RING - TYPE "E"	2
7	6237116	WASHER - SEAL - WEAR PLATE	2
8	6237167	SHAFT - CANISTER	1
9	6237053	FASTENER - PUSH IN	1
10	6237014	BEARING - CANISTER	1
11	6237181	MIXING WHEEL	1

Café Executive Parts Manual



630p0046

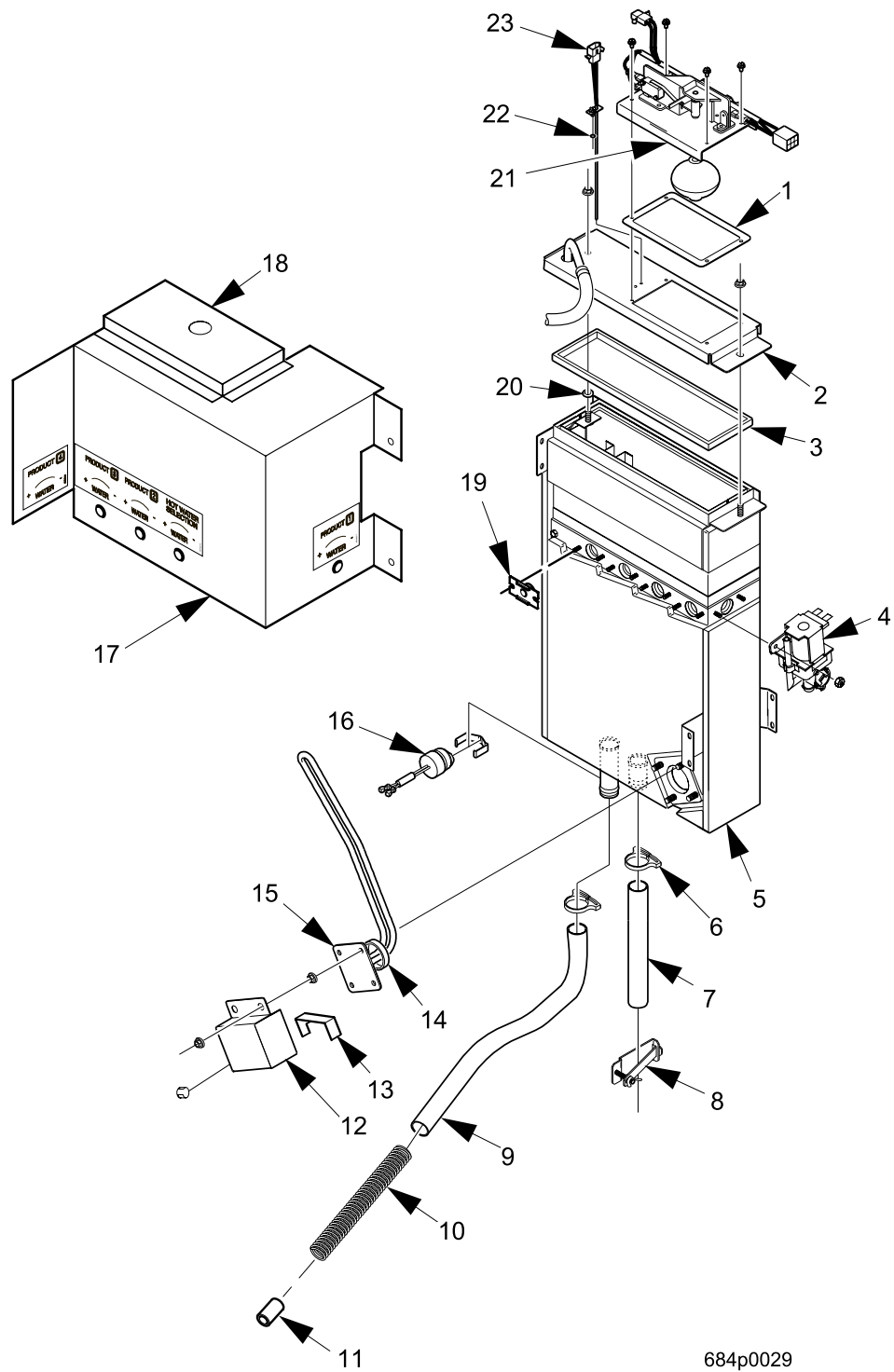
Figure 25. Canister Assembly - Chocolate

Café Executive Parts Manual

TABLE 25. CANISTER ASSEMBLY - CHOCOLATE

INDEX	PART NUMBER	DESCRIPTION	QTY
-	6237447	CANISTER ASSEMBLY - CHOCOLATE	REF
1	6237023	LID - CANISTER	1
2	6237439	SLEEVE - CANISTER	1
3	6237108	SPRING - THUMPER	1
4	6237177	BASE - CANISTER	1
5	6237019	ALUMINUM "POP" RIVET - 0.187 DIA	2
6	6237080	NOZZLE - DISPENSING	1
7	6237046	PLUG - AUGER	1
8	6237178	AUGER AND SHAFT ASSEMBLY	1
9	6337020	CLIP - SPRING	1
10	9900415	RETAINING RING - TYPE E	2
11	6237116	WASHER - SEAL-WEAR PLATE	2
12	6237167	SHAFT - CANISTER	1
13	6237053	FASTENER - PUSH IN	1
14	6237014	BEARING - CANISTER	1
15	6237181	MIXING WHEEL	1

Café Executive Parts Manual



684p0029

Figure 26. Water Tank Assembly

Café Executive Parts Manual

TABLE 26. WATER TANK ASSEMBLY

INDEX	PART NUMBER	DESCRIPTION	QTY
-	6848000	WATER TANK ASSEMBLY - DOMESTIC - 115V	REF
1	6408036	GASKET-FLOAT-MTG.BRACKET	1
2	6408032	COVER ASSEMBLY-WELD-H.W.T.	1
3	6408105	GASKET-VULCANIZED-H.W.T.	1
4	6238112X	VALVE ASSEMBLY-H.W.T.-115V * USE ONE FOR FRESH BREW SELECTIONS AND ONE FOR EACH FREEZE DRY COFFEE, SOLUBLE PRODUCT, HOT CHOCOLATE AND HOT WATER SELECTION	*
5	6848002	WATER TANK ASSEMBLY	1
6	6408125	CLAMP-TUBE	2
7	6408210	TUBE-6408208-5.0"	1
8	6408154	PINCH CLAMP ASSEMBLY	1
9	6408209	TUBE-6408208-18.5"	1
10	6408126	SPRING-COIL	1
11	6401111	BRASS SLEEVE-7/8 O.D. #60A-14 (NOT PART OF WATER TANK ASSEMBLY)	1
12	6408121	COVER-HEATER TERMINALS	1
13	6408230	INSULATOR-HEATER COVER	1
14	6238042	GASKET-HEATER	1
15	6338041	HEATER-1250W-120V	1
16	6849014	THERMOSTAT ASSEMBLY-AUTO RESET	1
17	6841026	COVER-WATER VALVES	1
18	6841027	COVER-WATER TANK FLOAT	1
19	6238045	PLUG ASSEMBLY-HOT WATER VALVE # ONE USED IN EACH VALVE POSITION WHENEVER A WATER VALVE IS NOT PRESENT	#
20	6408120	"O" RING-.25 ID	2
21	6848019	FLOAT ASSEMBLY-FINAL (SEE FIGURE 27)	1
22	6138287	"O" RING	2
23	6338051	SENSOR-TEMPERATURE-H.W.T.	1

Café Executive Parts Manual

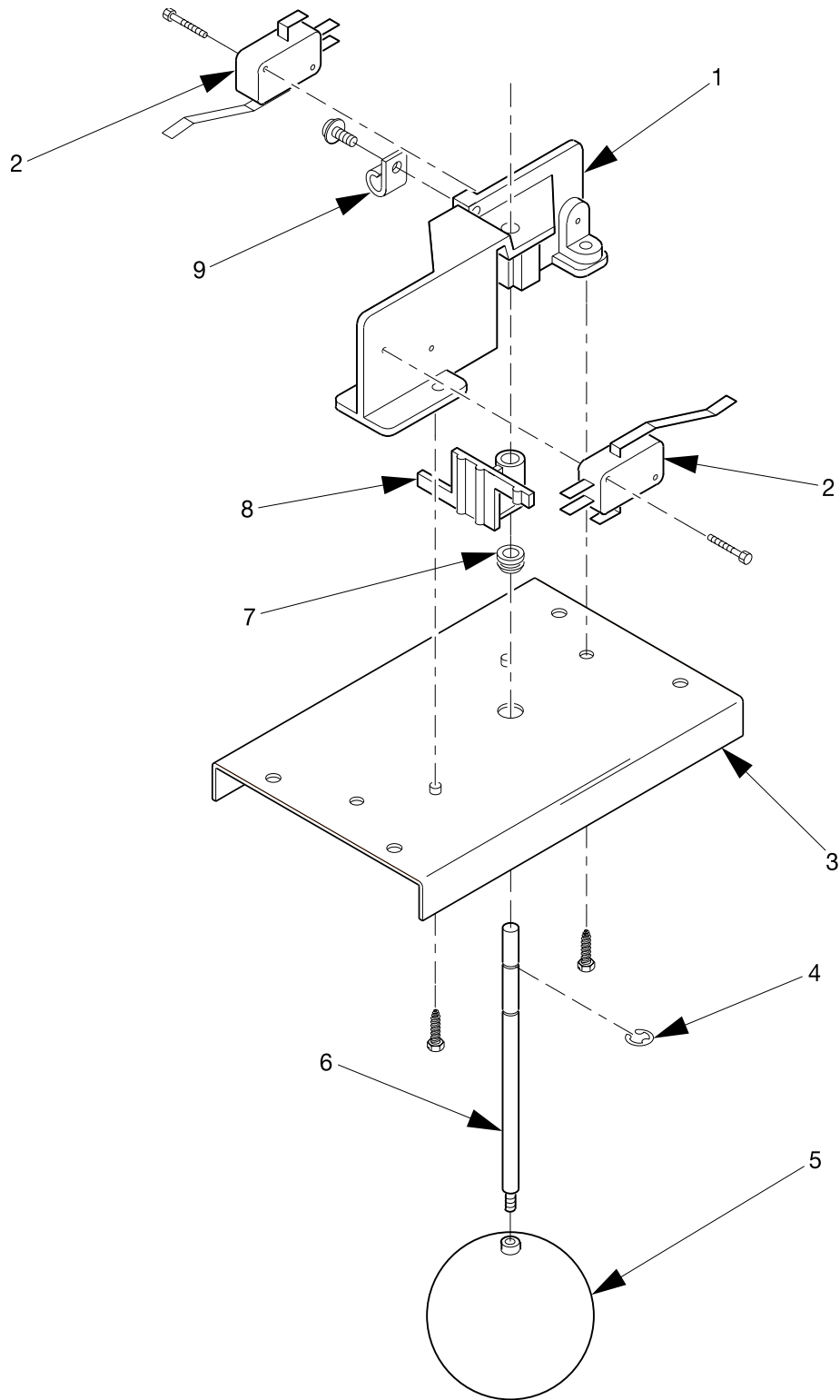


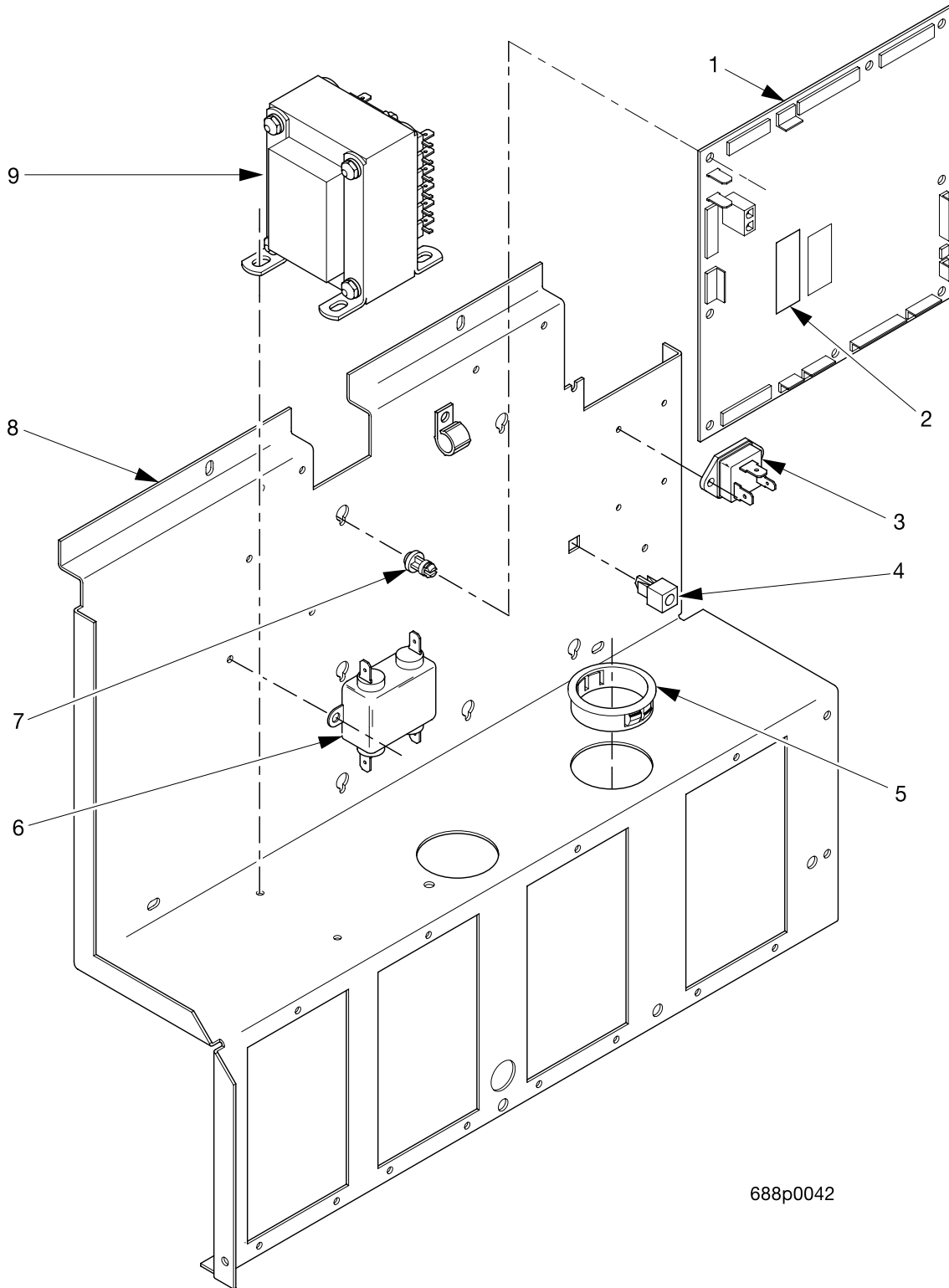
Figure 27. Float Assembly - Water Tank

Café Executive Parts Manual

TABLE 27. FLOAT ASSEMBLY - WATER TANK

INDEX	PART NUMBER	DESCRIPTION	QTY
-	6848019	FLOAT ASSEMBLY - FINAL	REF
1	6238068	BRACKET - MOUNTING - SWITCH	1
2	6238084	SWITCH - LEVER - 10 GRAMS	1
3	6408035	BRACKET - FLOAT MOUNTING	1
4	6124073	RETAINING RING "E" TYPE	2
5	6508033	FLOAT - WATER TANK	1
6	6338049	SHAFT	2
7	6338050	BEARING - LID - HOT WATER TANK	2
8	6138183	ACTUATOR - SWITCH	1
9	1211161	CABLE CLAMP - RICHCO # N4	1

Café Executive Parts Manual



688p0042

Figure 28. Power Panel and Support Assembly

Café Executive Parts Manual

TABLE 28. POWER PANEL AND SUPPORT ASSEMBLY

INDEX	PART NUMBER	DESCRIPTION	QTY
-	6881018	POWER PANEL & SUPPORT ASSEMBLY-115V	REF
1	6846000	PCB ASSEMBLY-CONTROLLER-CAFE7/EXEC.	1
2	-	IC ASSEMBLY-EPROM SEE LABEL ON EPROM FOR CORRECT PART NUMBER	1
3	9983778	TRIAC-35A-600V	1
4	1571034	STANDOFF-PCB-3/8 SCREW MOUNT	1
5	6106021	BUSHING #SB1500-21	2
6	9989100	INTERFERENCE FILTER	1
7	1571036	STANDOFF-PCB-.375 KEY SLOT	7
8	6881019	SUPPORT-CANISTER MOTOR	1
9	9989046	24V XFMR-DUAL PIR.-.187 TERM.	1

Café Executive Parts Manual

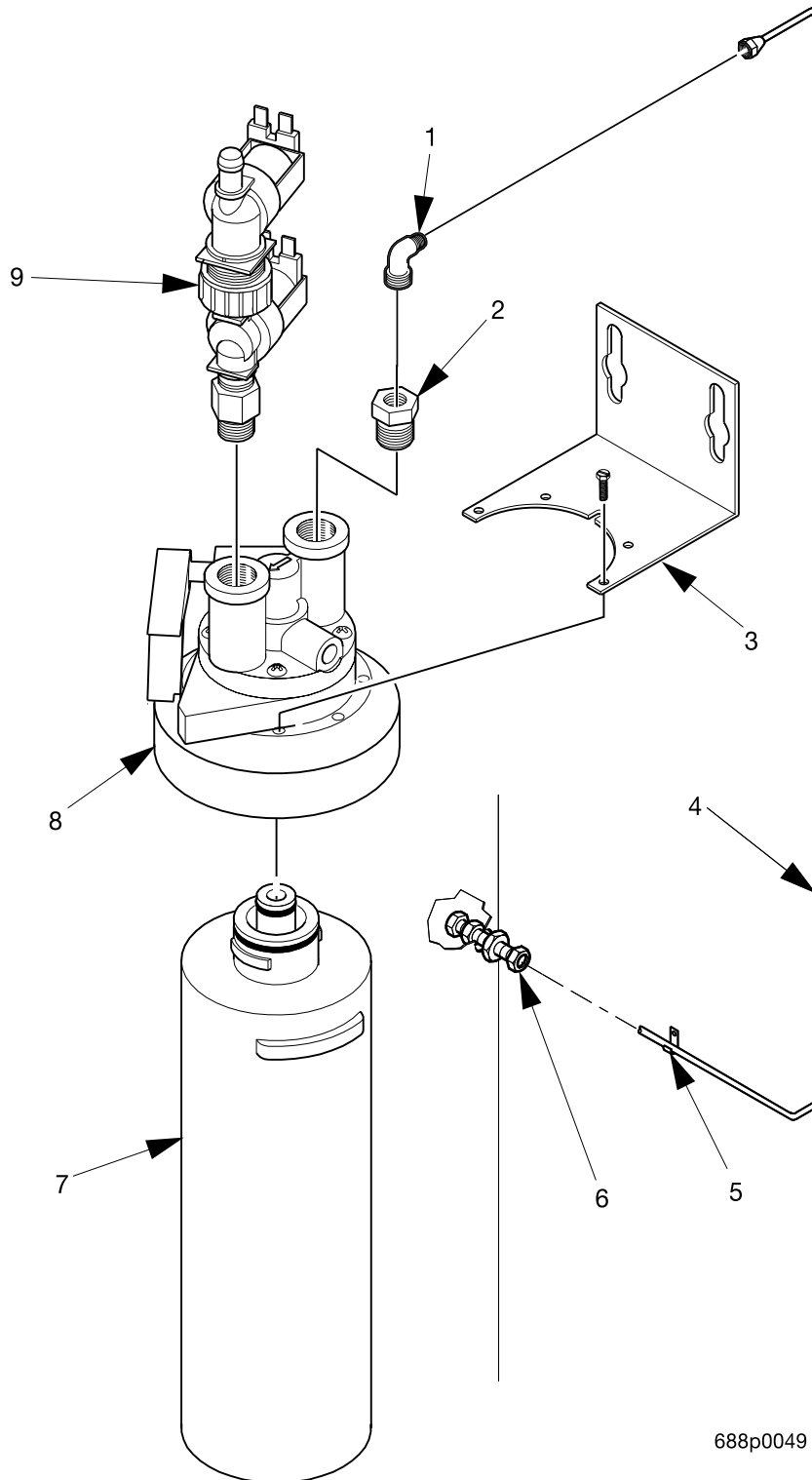


Figure 29. Everpure Water Valve and Filter Option

Café Executive Parts Manual

TABLE 29. EVERPURE WATER VALVE AND FILTER OPTION

INDEX	PART NUMBER	DESCRIPTION	QTY
-	6848008	FILTER HEAD ASSEMBLY - EVERPURE - 115 VAC (INCLUDES INDEX NUMBERS 1 THROUGH 3 AND 8 AND 9) (FOR NEXT HIGHER ASSEMBLY, SEE FIGURE 11)	REF
1	6848009	MALE ELBOW-BRASS-#4-4	1
2	6408117	BUSHING - 1/4 X 3/8 - BRASS	1
3	3158023	BRACKET - MOUNTING - WATER FILTER	1
4	6848007	INLET LINE - COPPER (MADE FROM COPPER TUBING 9082699)	1
5	2342315	CLIP - WIRE	1
6	6408118	BULKHEAD UNION-BRASS #4	
7	6408135	WATER FILTER - EVERPURE	1
8	6408134	FILTER HEAD - EVERPURE FILTER	1
9	3158061	VALVE ASSEMBLY - WATER INLET - 115 VAC (USED ON 115 VAC FILTER HEAD ASSEMBLY)	1

Café Executive Parts Manual

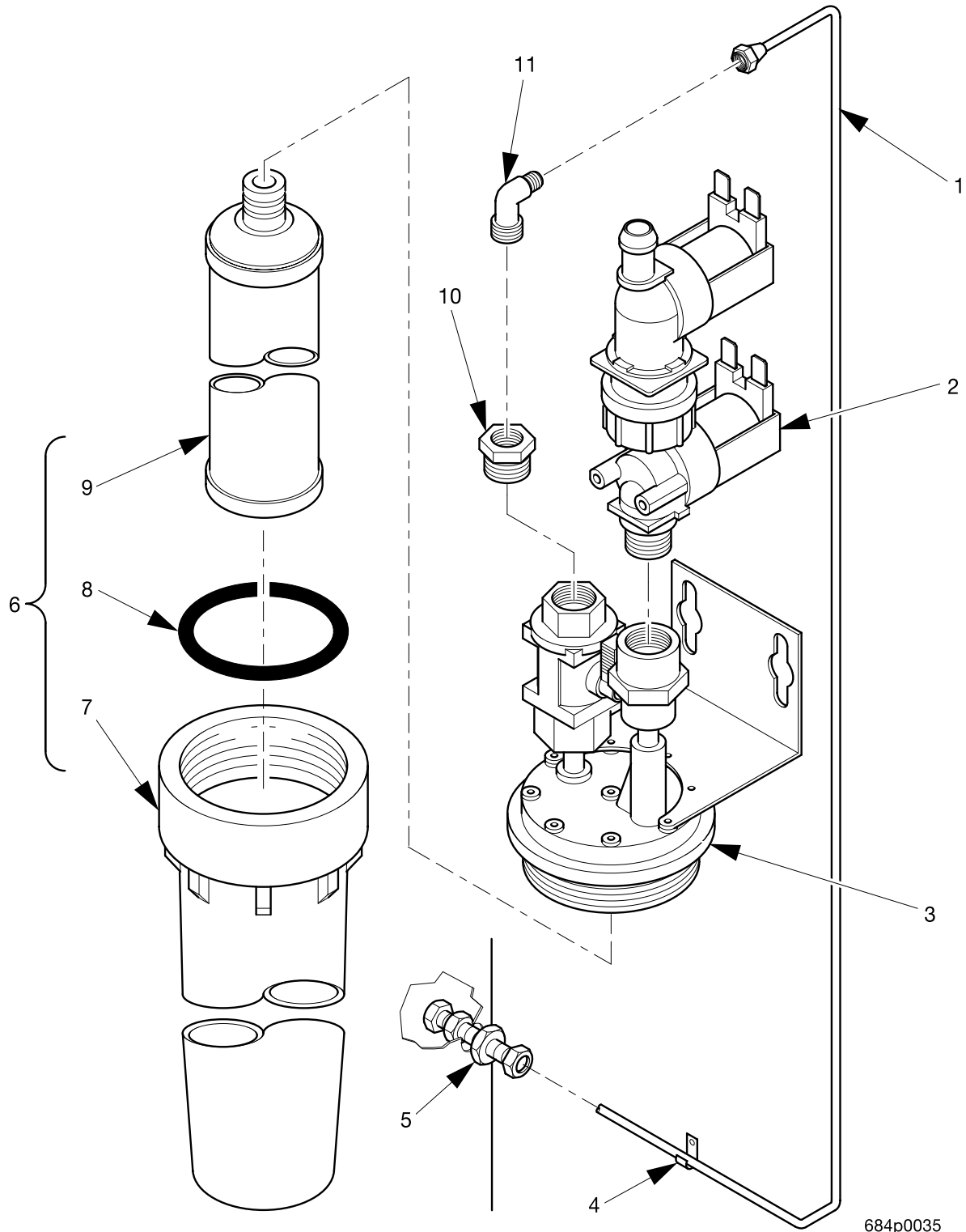


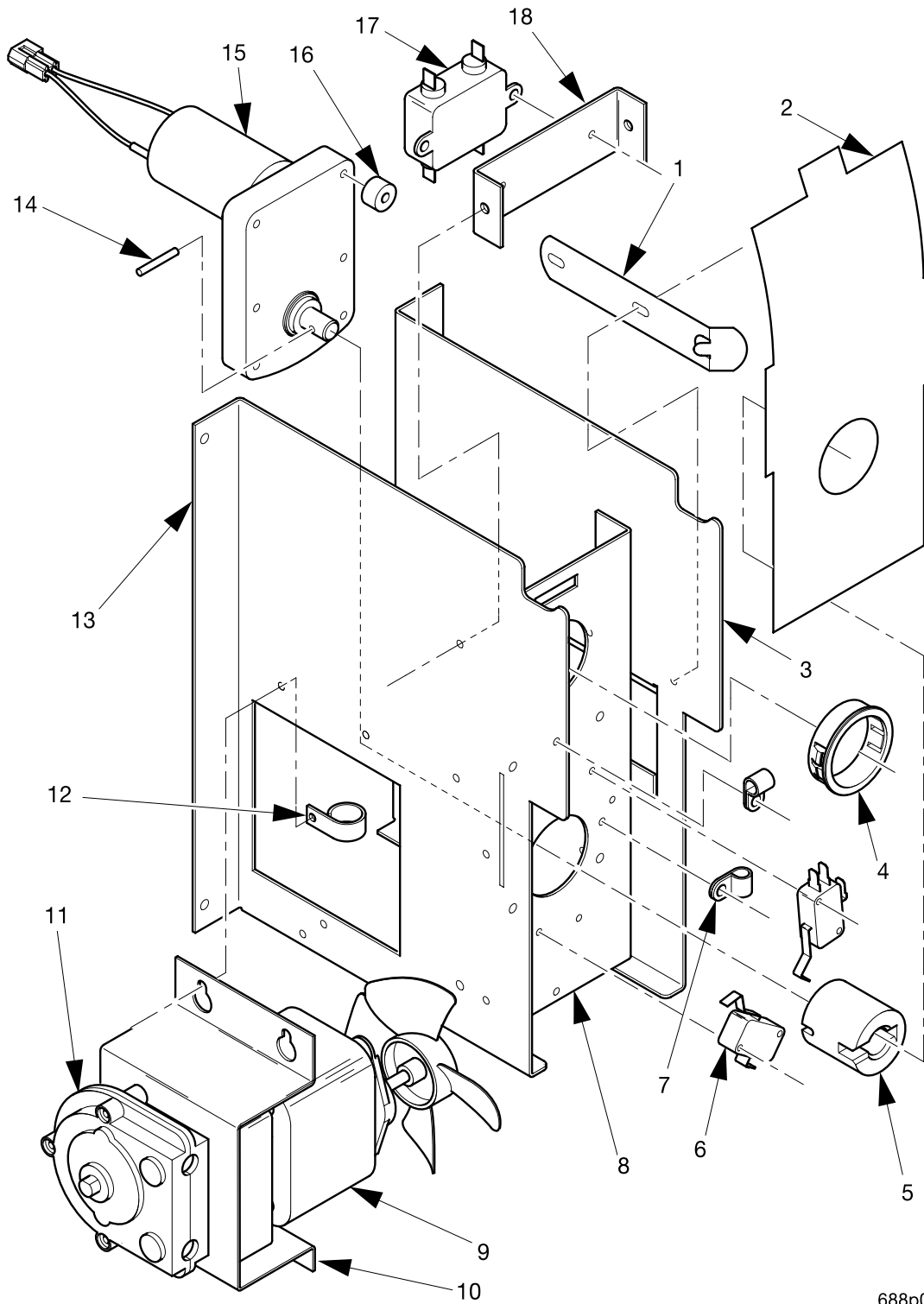
Figure 30. Hydrolife Water Valve and Filter Option

Café Executive Parts Manual

TABLE 30. HYDROLIFE WATER VALVE AND FILTER OPTION

INDEX	PART NUMBER	DESCRIPTION	QTY
-	-	HYDROLIFE WATER VALVE AND FILTER OPTION	REF
1	6848007	INLET LINE-COPPER (MADE FROM COPPER TUBING 9082699)	1
2	3158061	VALVE ASSEMBLY-WATER INLET - 115V	1
3	6338027	HEAD-BRACKET ASSEMBLY	1
4	2342315	CLIP-WIRE HARNESS	2
5	6408118	BULKHEAD UNION-BRASS #4	
6	6408028	HOUSING, CARTRIDGE AND "O"RING	1
7	-	HOUSING (NOT AVAILABLE SEPARATELY)	1
8	-	"O" RING (NOT AVAILABLE SEPARATELY)	1
9	6408027	CARTRIDGE-FILTER - HYDROLIFE	1
10	6408117	BUSHING-1/4X3/8-BRASS	
11	6848009	MALE ELBOW-BRASS-#4	1

Café Executive Parts Manual



688p005c

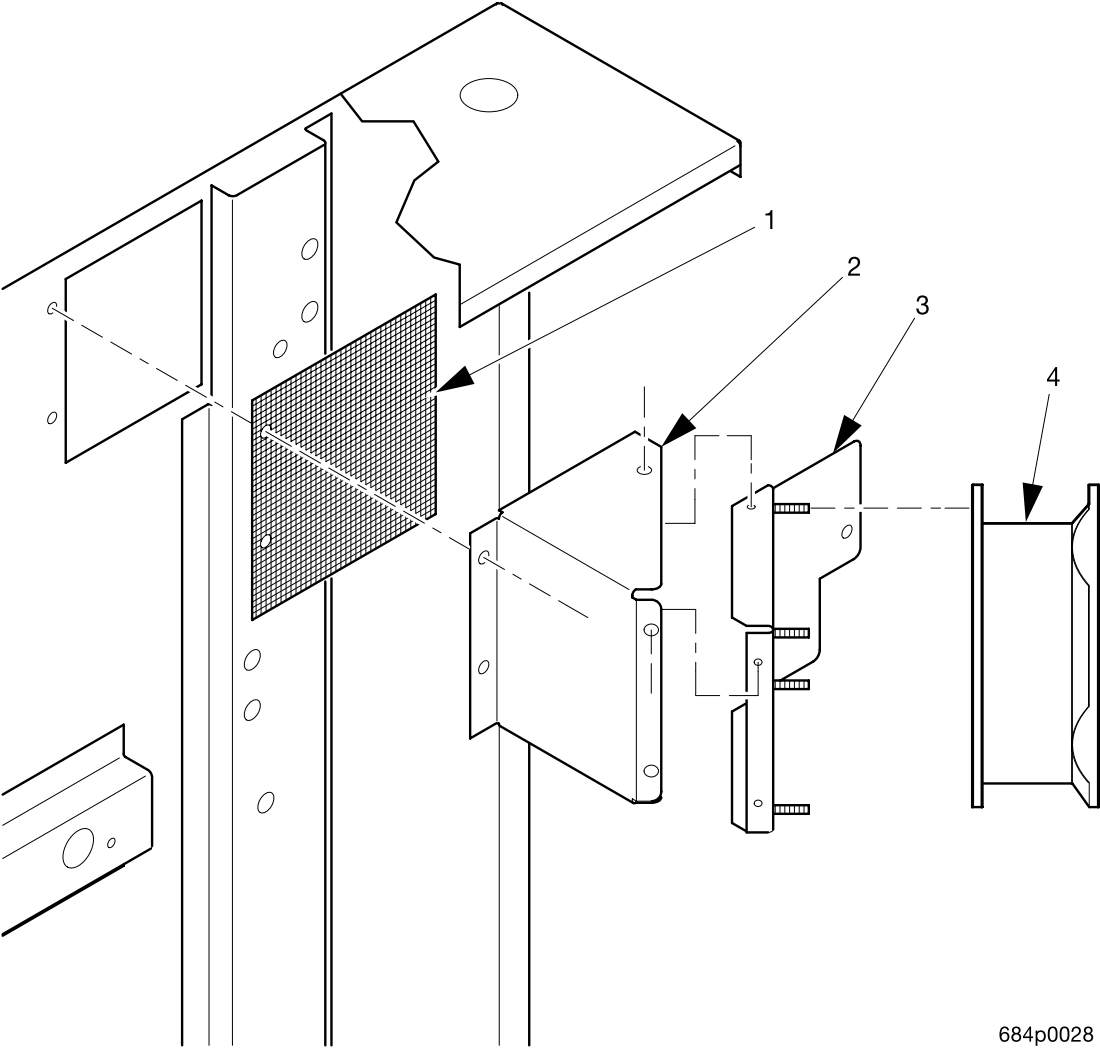
Figure 31. Brewer Drive and Pump Assemblies

Café Executive Parts Manual

TABLE 31. BREWER DRIVE AND PUMP ASSEMBLIES

INDEX	PART NUMBER	DESCRIPTION	QTY
	6844002	BREWER DRIVE AND PUMP ASSEMBLY -115 VAC VAC (INCLUDES INDEX ITEMS 1 THRU 15)	REF
1	6404103	SPRING - BREWER LATCH	1
2	6404106	COVER - BREWER SWITCHES	1
3	6844004	PLATE - RIGHT SIDE - BREWER MOUNTING	1
4	6106021	BUSHING - # SB 1500-21	1
5	6404011	CYCLE CAM - SWITCH COUPLER	1
6	5220108	SWITCH	2
7	1211161	CABLE CLAMP	2
8	6404086	PLATE - BREWER MOTOR MOUNTING	1
-	6844005	PUMP ASSEMBLY (INCLUDES INDEX ITEMS 9, 10 AND 11)	1
9	6404076	MOTOR-BREWER PUMP-115V	1
10	6844006	BRACKET-PUMP MOUNTING	1
11	6404078	PERISTALTIC PUMP KIT	1
12	6231035	HARNESS CLIP-.750 (NOT PART OF BREWER DRIVE AND PUMP ASSEMBLIES)	1
13	6844003	PLATE - LEFT SIDE - BREWER MOUNTING	1
14	4047061	ROLL PIN - 1/8 X 1/18	1
15	6404010	BREWER MOTOR - 24 VDC	1
16	4302134	SPACER - PC BOARD	4
17	9989100	INTERFERENCE FILTER (NOT PART OF BREWER DRIVE AND PUMP ASSEMBLIES)	1
18	6881040	BRACKET-FILTER MOUNTING (NOT PART OF BREWER DRIVE AND PUMP ASSEMBLIES)	1

Café Executive Parts Manual



684p0028

Figure 32. Upper Cabinet Fan Accessory

Café Executive Parts Manual

TABLE 32. UPPER CABINET FAN ACCESSORY

INDEX	PART NUMBER	DESCRIPTION	QTY
1	6841020	SCREEN-UPPER EXHAUST	1- OPT
2	6841034	HOUSING-FAN	1- OPT
3	6841035	HOUSING BACK ASSEMBLY-FAN	1- OPT
4	6231526	EXHAUST FAN	1- OPT

Café Executive Parts Manual

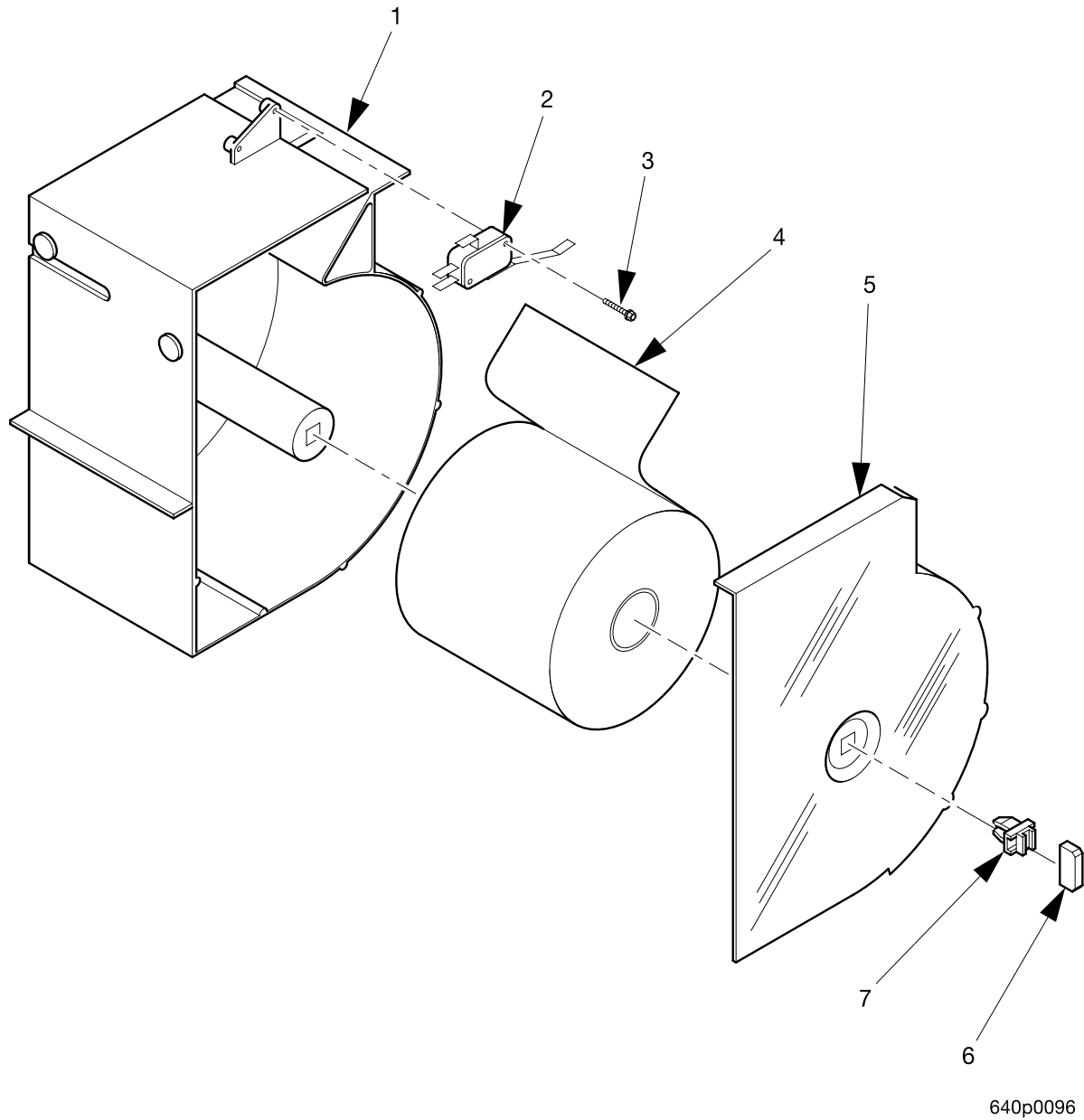


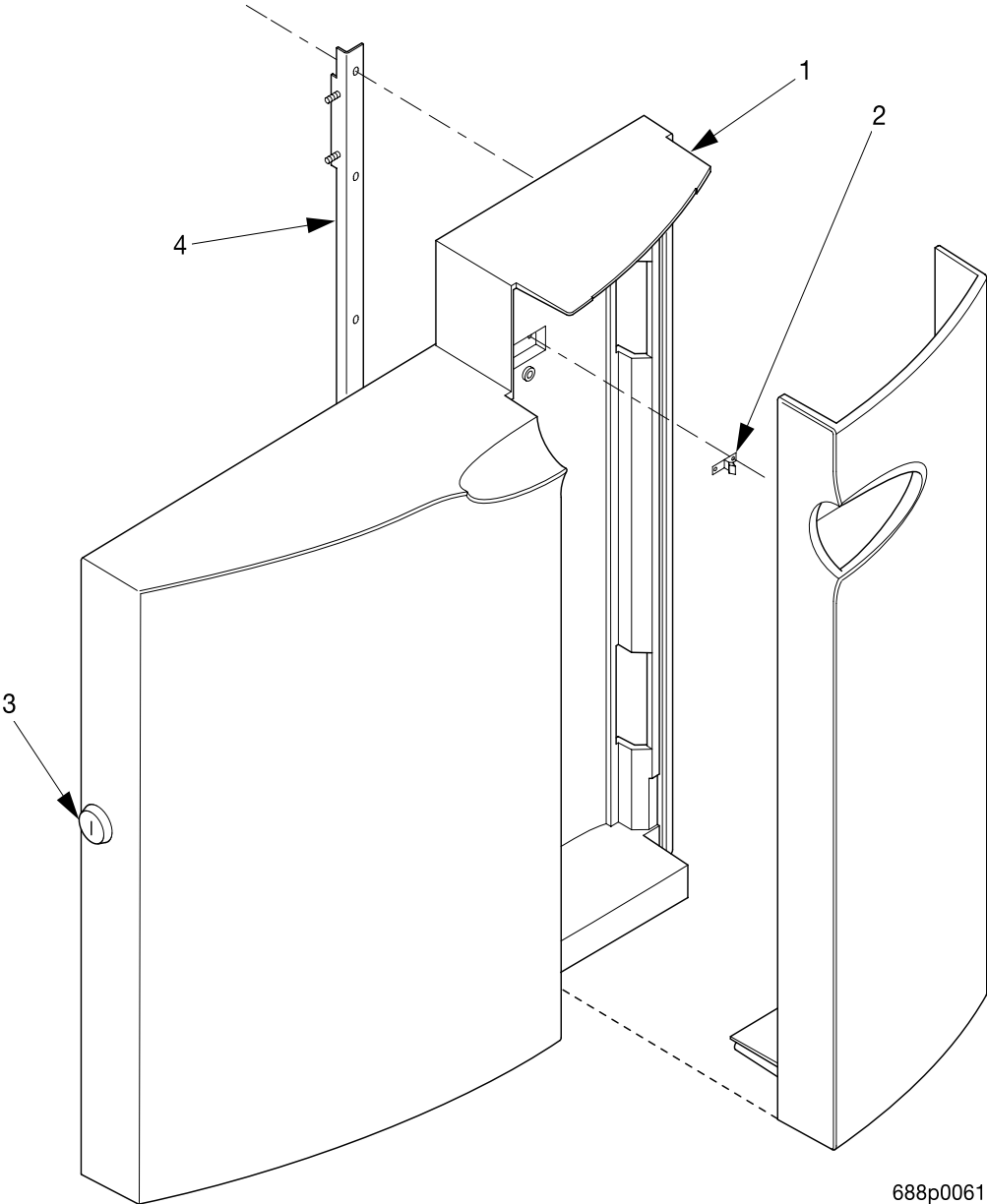
Figure 33. Filter Paper Housing Assembly

Café Executive Parts Manual

TABLE 33. FILTER PAPER HOUSING ASSEMBLY

INDEX	PART NUMBER	DESCRIPTION	QTY
-	6404112	FILTER PAPER HOUSING ASSEMBLY (INCLUDES INDEX ITEMS 1 THROUGH 7 EXCEPT 4)	REF
1	6844001	FILTER PAPER HOUSING	1
2	3118011	SWITCH - LIMIT	1
3	6238070	SCREW - # 4-17 X 0.62 HX HD	2
4	6404043	FILTER PAPER	1
5	6404054	COVER - FILTER PAPER	1
6	6404061	HANDLE - 1/4 TURN	1
7	6404060	LATCH - 1/4 TURN	1

Café Executive Parts Manual



688p0061

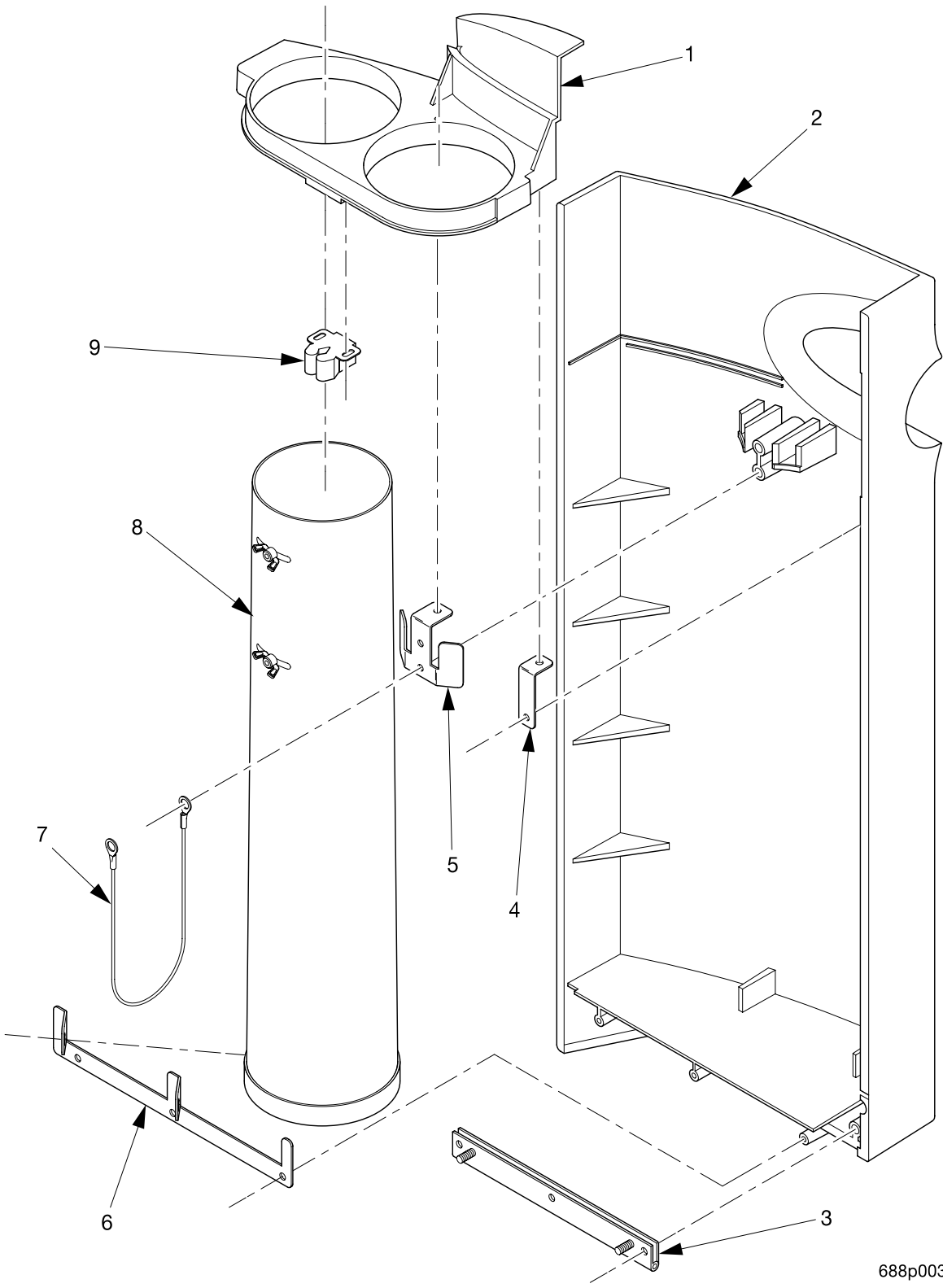
Figure 34. Base Door Assembly

Café Executive Parts Manual

TABLE 34. BASE DOOR ASSEMBLY

INDEX	PART NUMBER	DESCRIPTION	QTY
-	-	BASE CABINET DOOR ASSEMBLY	REF
1	6881801	DOOR-BASE CABINET-CAFE' EXEC - GLACIER SILVER	1
	6881834	DOOR-BASE CABINET-CAFE' EXEC - MIDNIGHT	
2	6881822	CATCH-CABINET-DOUBLE ROLLER (STRIKE PORTION)	1
3	-	UPPER CABINET AND BASE CABINET DOOR LOCK (SEE FIGURE 7)	1
4	6881816	HINGE BAR-BASE CAB.-CAFE'EXEC	1

Café Executive Parts Manual



688p0036

Figure 35. Cup Dispenser Door Assembly

Café Executive Parts Manual

TABLE 35. CUP DISPENSER DOOR ASSEMBLY

INDEX	PART NUMBER	DESCRIPTION	QTY
-	-	CUP DISPENSER DOOR ASSEMBLY	REF
1	6881804	SHIELD-CUP DISPENSER-CAFE' EXECUTIVE-GLACIER SILVER	1
	6881837	SHIELD-CUP DISPENSER-CAFE' EXECUTIVE-MIDNIGHT	
2	6881803	DOOR-CUP-CAFE' EXECUTIVE-GLACIER SILVER	1
	6881836	DOOR-CUP-CAFE' EXECUTIVE-MIDNIGHT	
3	6881847	HINGE & STUD ASSEMBLY-CUP DOOR	1
4	6881818	BRACKET-CUP CANISTER-LEFT	1
5	6881819	BRACKET-CUP CANISTER-MIDDLE	1
6	6881817	BRACKET-CUP CANISTER-BOTTOM	1
7	6881846	LANYARD-8"	1
8	6881820	DISPENSER-PAPER (ELEVATOR FEED)	2
9	6881822	CATCH-CABINET-DOUBLE ROLLER	1

Café Executive Parts Manual

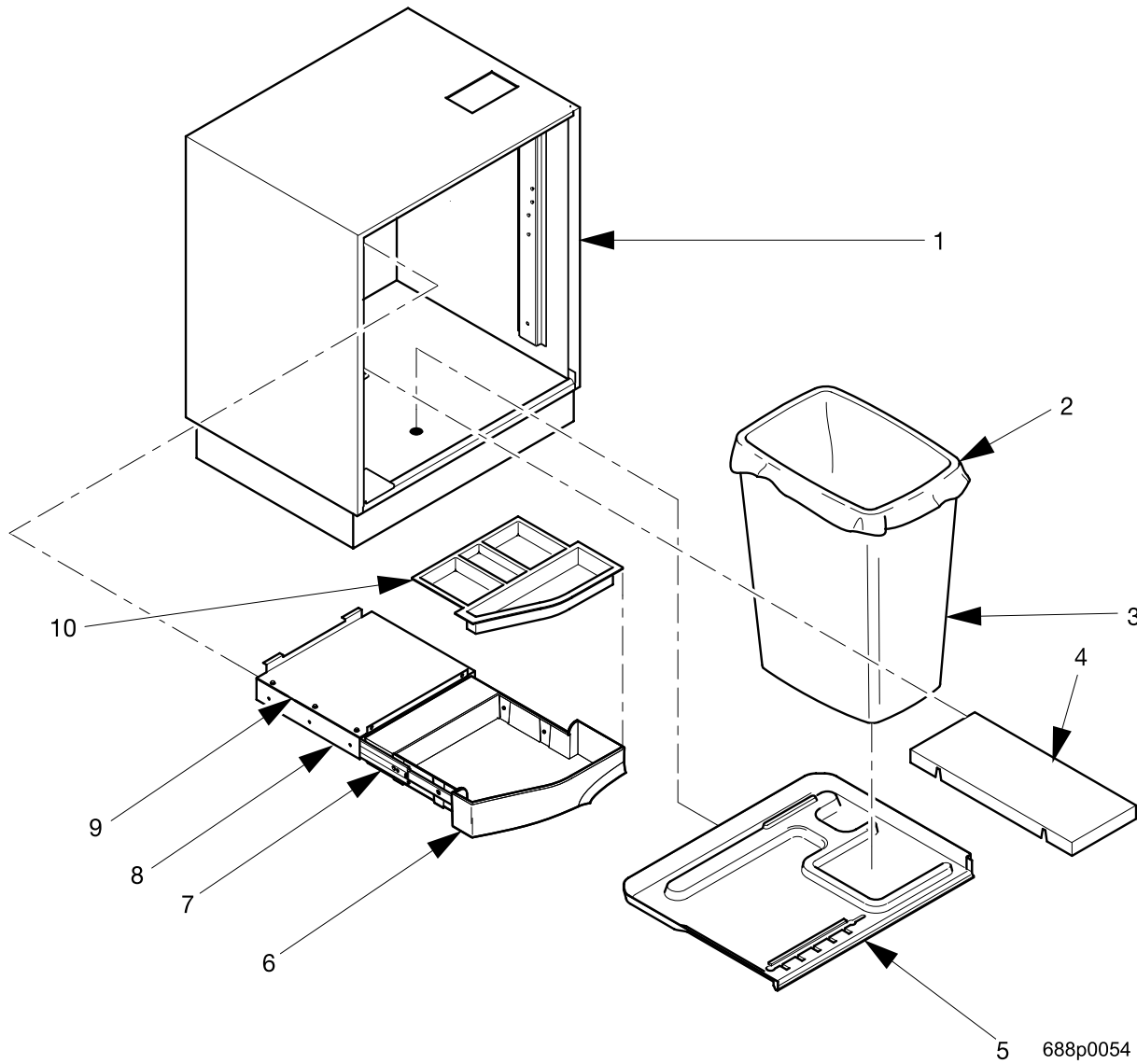


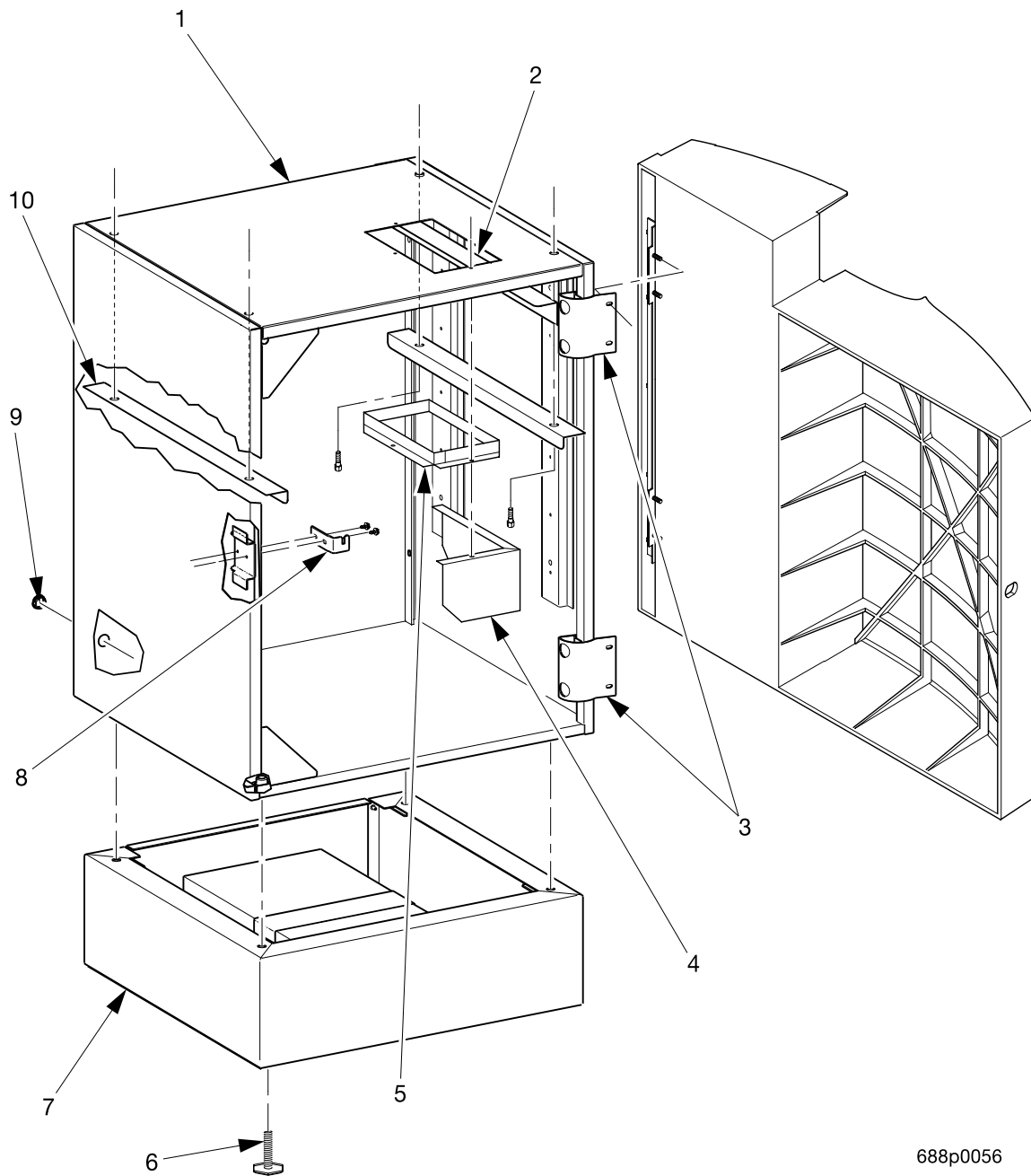
Figure 36. Base Cabinet Assembly - Part 1

Café Executive Parts Manual

TABLE 36. BASE CABINET ASSEMBLY - PART 1

INDEX	PART NUMBER	DESCRIPTION	QTY
-	-	BASE CABINET ASSEMBLY	REF
1	-	BASE CABINET (SEE FIGURE 37)	
2	6231478	BAG-GROUNDS BUCKET	1
3	6231475	BUCKET-GROUNDS	1
4	6841833	SHELF-NARROW-BASE CABINET	1
5	6881009	LINER-FLOOR	1
6	6881802	DRAWER-CABINET-CAFE' EXECUTIVE-GLACIER SILVER	1
	6881835	DRAWER-CABINET-CAFE' EXECUTIVE-MIDNIGHT	
7	6801053	SLIDE-CANISTER SHELF	2
8	6881832	CHANNEL-DRAWER MOUNTING	1
9	6881831	PANEL-DRAWER MOUNTING	1
10	6881805	LINER-DRAWER	1

Café Executive Parts Manual



688p0056

Figure 37. Base Cabinet Assembly - Part 2

Café Executive Parts Manual

TABLE 37. BASE CABINET ASSEMBLY - PART 2

INDEX	PART NUMBER	DESCRIPTION	QTY
-	-	BASE CABINET (FOR NEXT HIGHER ASSEMBLY, SEE FIGURE 36)	REF
1	6881806	BASECABINETASSEMBLY-ADHESIVEBOND-GLACIER SILVER	
	6881823	BASE CABINET ASSEMBLY-ADHESIVE BOND-MIDNIGHT	1
2	6841832	SPACER-WASTE BUCKET	1
3	6841076	HINGE ASSEMBLY	2
4	6401866	DEFLECTOR-GROUNDS OPENING	1
5	6401840	ENCLOSURE-GROUNDS OPENING	1
6	6401809	LEVELER-BASE CABINET	4
7	6881811	SKIRT ASSEMBLY-RIVETED BASE CABINET	1
8	6841078	LATCH PLATE	1
9	6401851	HOLE PLUG-.594" DIA HOLE (BLACK)	1
	6441001	PLUG-HOLE (GRAY)	
10	6401819	ANGLE-MOUNTING-BASE CABINET	2

Café Executive Parts Manual

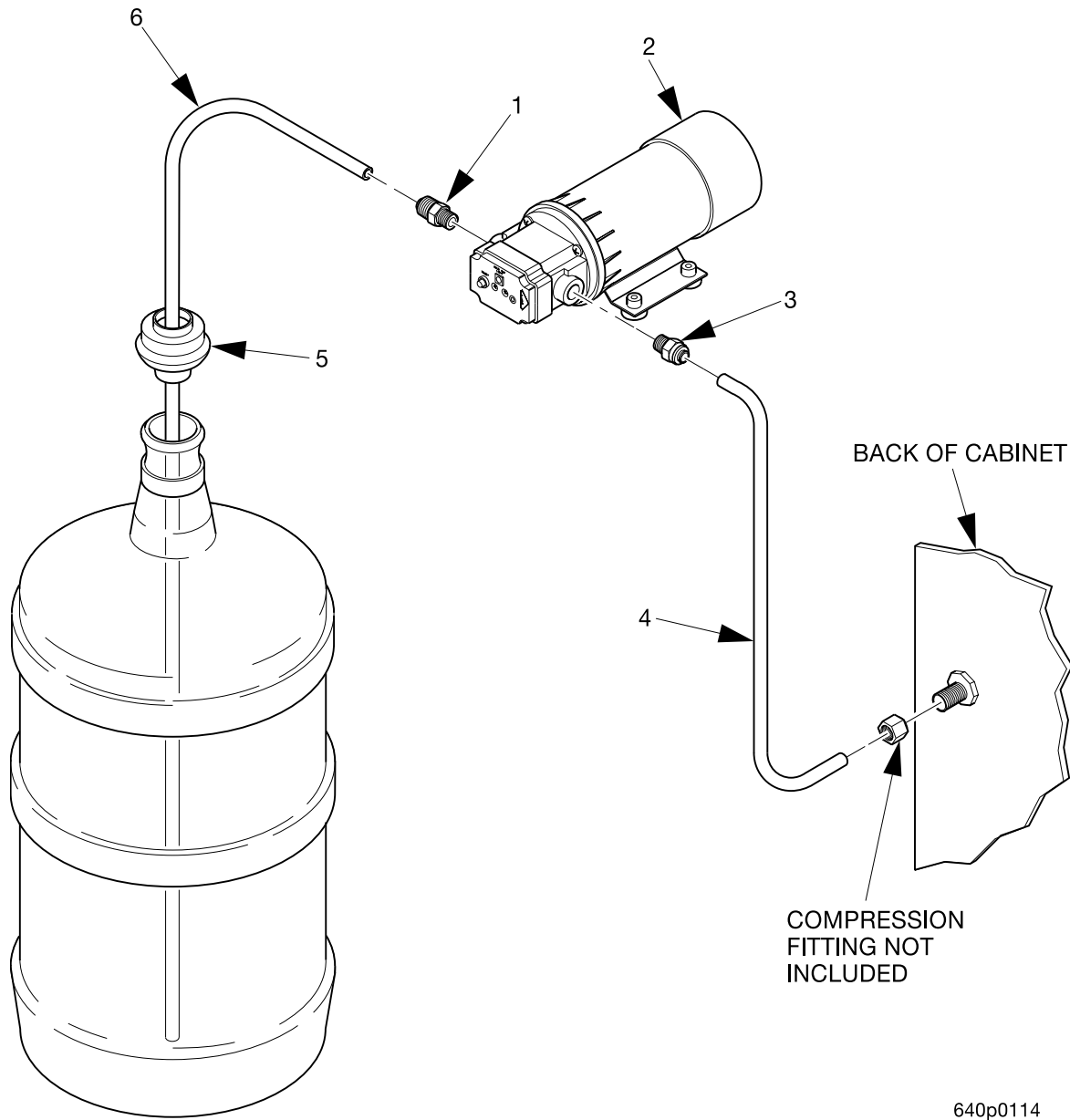


Figure 38. Bottled Water Pump Option

Café Executive Parts Manual

TABLE 38. BOTTLED WATER PUMP OPTION

INDEX	PART NUMBER	DESCRIPTION	QTY
-	P6400827	BOTTLED WATER PUMP PACKAGE - 115 VAC (INCLUDES INDEX ITEMS 1-6)	OPT
1	6408217	PUMP - WATER -115 VAC	1
2	6408214	FITTING 3/8 OD X 1/4 NPT	1
3	6408221	FITTING - 1/4 OD X 1/4 NPT	1
4	6408222	TUBE - COPPER - 120 IN LENGTH (MADE FROM TUPING - COPPER - 0.250 ID X 0.028 WALL, PN 9082699	1
5	6408213	COVER/FILTER - WATER BOTTLE	1
6	6408219	TUBE - PLASTIC - WATER BOTTLE - 120 IN LENGTH (MADE FROM PLASTIC TUBING, 3/8 IN DIA PN 6408220)	1

TABLE 39. TUBING

INDEX	PART NUMBER	DESCRIPTION	QTY
-	3618105	TUBING - SILICONE - 0.375 ID X 0.562 OD - VARIOUS LENGTH SECTIONS (USED FOR WATER AND PRODUCT DISTRIBUTION) (NUMBER AND LENGTH OF SECTIONS DEPENDENT ON SELECT WHIPPER OPTION)	AR
-	6408219	TUBE - PLASTIC - WATER BOTTLE (MADE FROM 3/8 DIA TUBING - PLASTIC PN 6408220)(USED WITH BOTTLED WATER PUMP PACKAGE)	OPT
-	6404045	TUBE (BREWER PUMP TO FRESH BREW COFFEE WHIPPER) (MADE FROM TUBE PHARMED - 0.38 OD X 0.25 ID, PN 6404059)	1
-	6408200	TUBE - WATER INLET (CONNECTS BETWEEN TOP OF WATER INLET VALVE ASSEMBLY AND TOP PORT OF WATER TANK) (MADE FROM TUBING -3168123 UK AQUAVEND 0.375 ID	1

Café Executive Parts Manual

TABLE 40. HARNESSES

PART NUMBER	DESCRIPTION
1475119	JUMPER-GROUND WIRE
6849001	HARNESS-VALVES (J184A-J184B-J24A-J24-J21-J22-J23-J65)
6849002	HARNESS-CABINET AC (J161-J162-J163-J164-J120-J19-J35-J63)
6849003	HARNESS-XFMR TO PCB (J37-J97-J44-J45)
6849004	HARNESS-HEATER (J164-J191-J188-J190)
6849005	HARNESS-FLOAT SWITCHES (J31 TANK LOW-J284)
6849006	HARNESS-CHANGER-DOM (J138-J140-J101)
6849007	HARNESS-WHIPPERS & BREW MOTOR (J180-J181-J182-J183-J177-J25A-J61)
6849009	HARNESS-BREWER-SWITCHES (J57-J129 HOME-J128 CLAMP-J127 PAPER)
6849010	HARNESS-MDB (J200-J39-J38)
6849011	HARNESS-DISPLAY (J33-J45)
6849012	HARNESS-DOOR SWITCH (J34-J16)
6849013	HARNESS-DELIVERY LIGHT (J25A-J32-J32A)
6849015	JUMPER-POWER SWITCH (J4-J14-J94)
6849016	JUMPER-PCB-TO FAN (J71-J71A)
6889000	HARNESS - BREWER MOTOR FILTER
9989637	JUMPER-BLOWER
9989781	POWER CORD-14AWG-DOM.