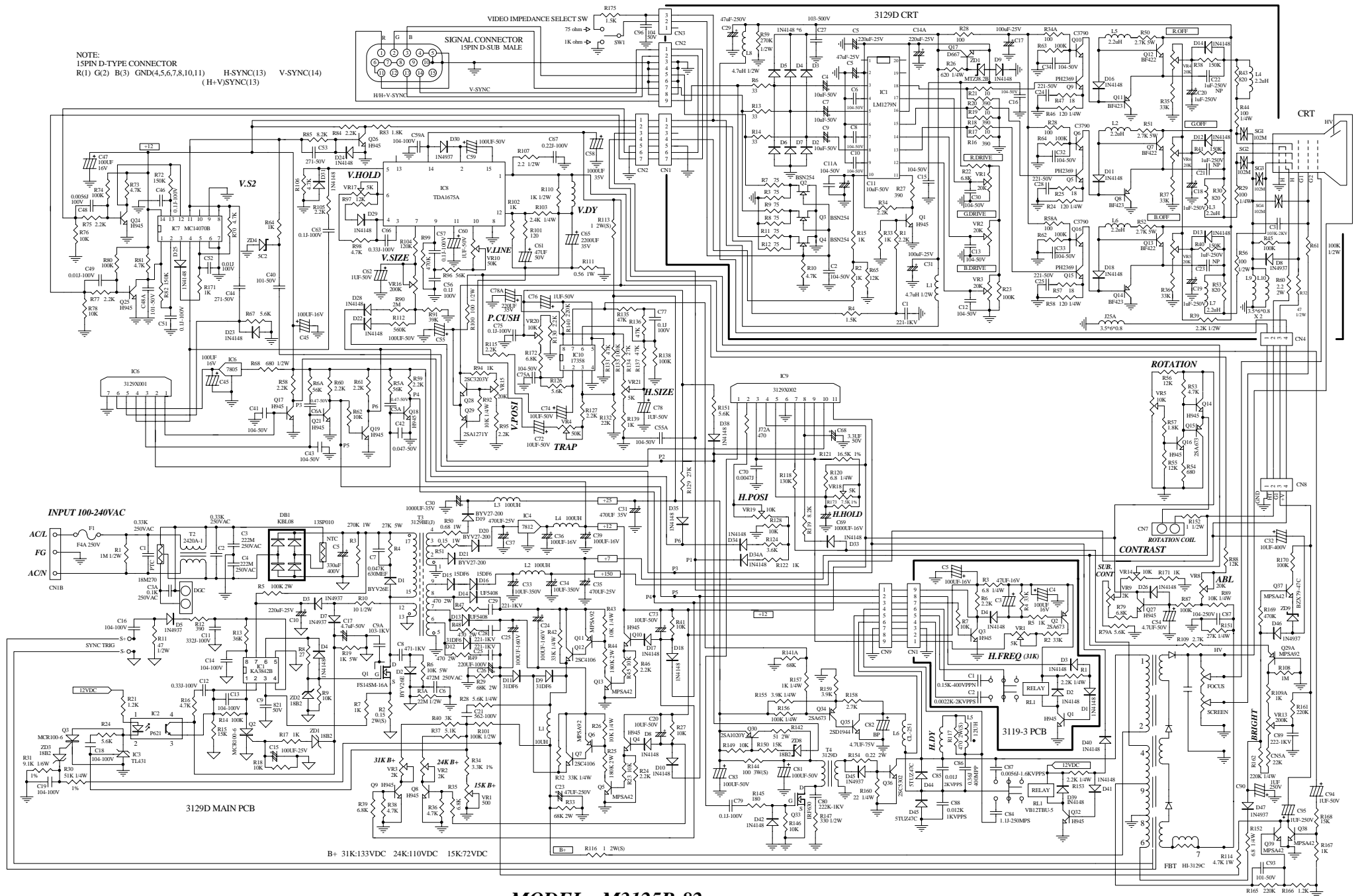


NOTE:
 15PIN D-TYPE CONNECTOR
 R(1) G(2) B(3) GND(4,5,6,7,8,10,11) H-SYNC(13) V-SYNC(14)
 (H+V)SYNC(13)
 (H+V)SYNC(13)



MODEL : M3125B-82
HUA I ELECTRONICS CO., LTD.

1

2

3

4

D

D

C

C

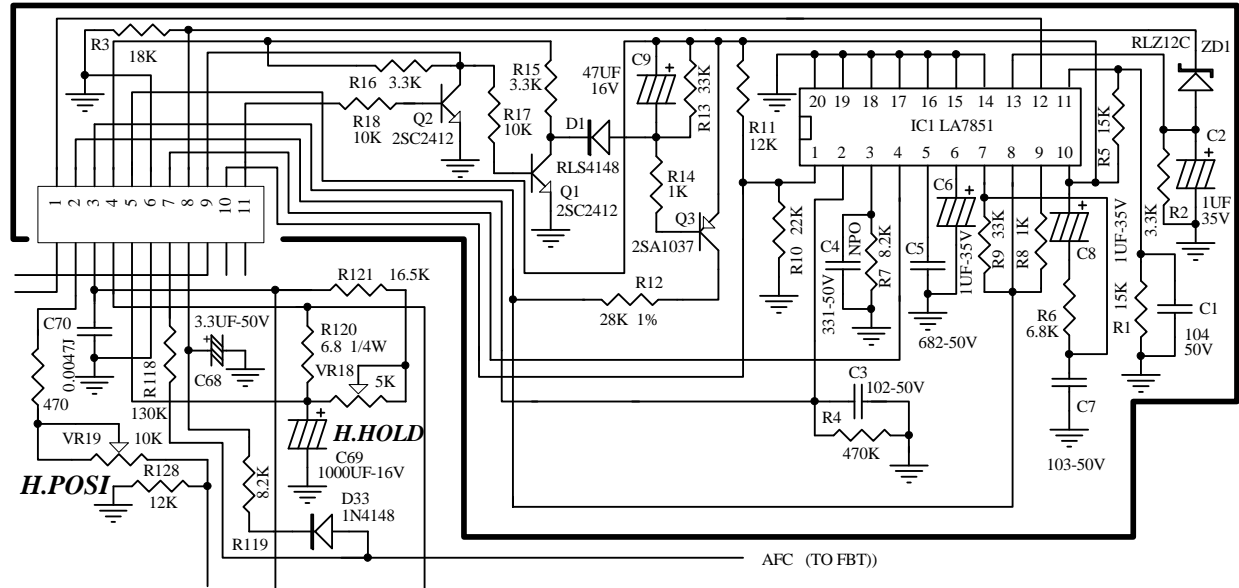
B

B

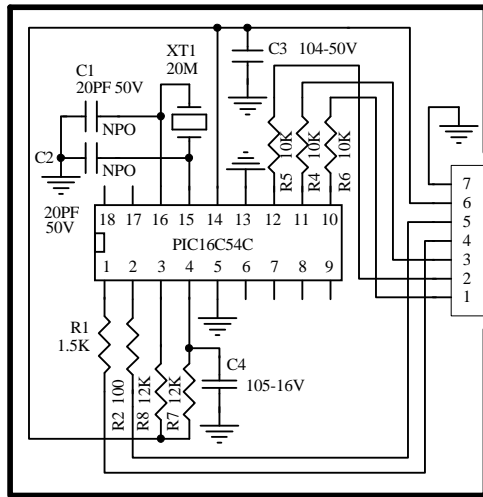
A

A

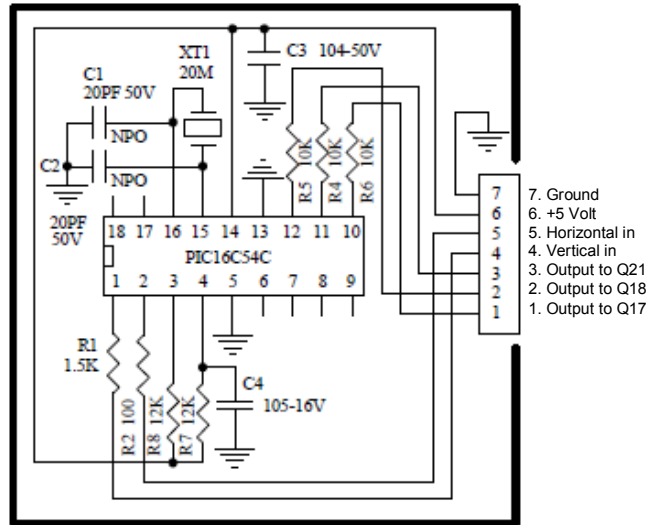
IC9
3129X002



IC5
3129X001



Makvision 3125 & 3129 Resolution and B+ Select IC6 3129X001



Truth Table 3129X001

Resolution	Pin 1	Pin2	Pin3
CGA	0	1	1
EGA	1	1	0
VGA	1	0	1
	To Q17	To Q18	To Q21

Resolution	P1	P2	Q17/P3	Q18/P4	Q21/P5	Q19/P6
CGA	1	0	1	0	0	1
EGA	1	1	0	0	1	0
VGA	0	1	0	1	0	1
	To D34A Invert of P4	To D22, D38 Invert of P3	P3=1 Relay1 CGA On chassis		P5=1 Relay1 EGA	To D28 & D34 D35

P3=1 CGA B+ voltage=72v.
P5=1 EGA B+ voltage=110v.
P4=1 VGA B+ voltage=137v.