

NBA SHOWTIME GOLD EDITION / NFL BLITZ 2000 GOLD EDITION

CHAPTER SEVEN

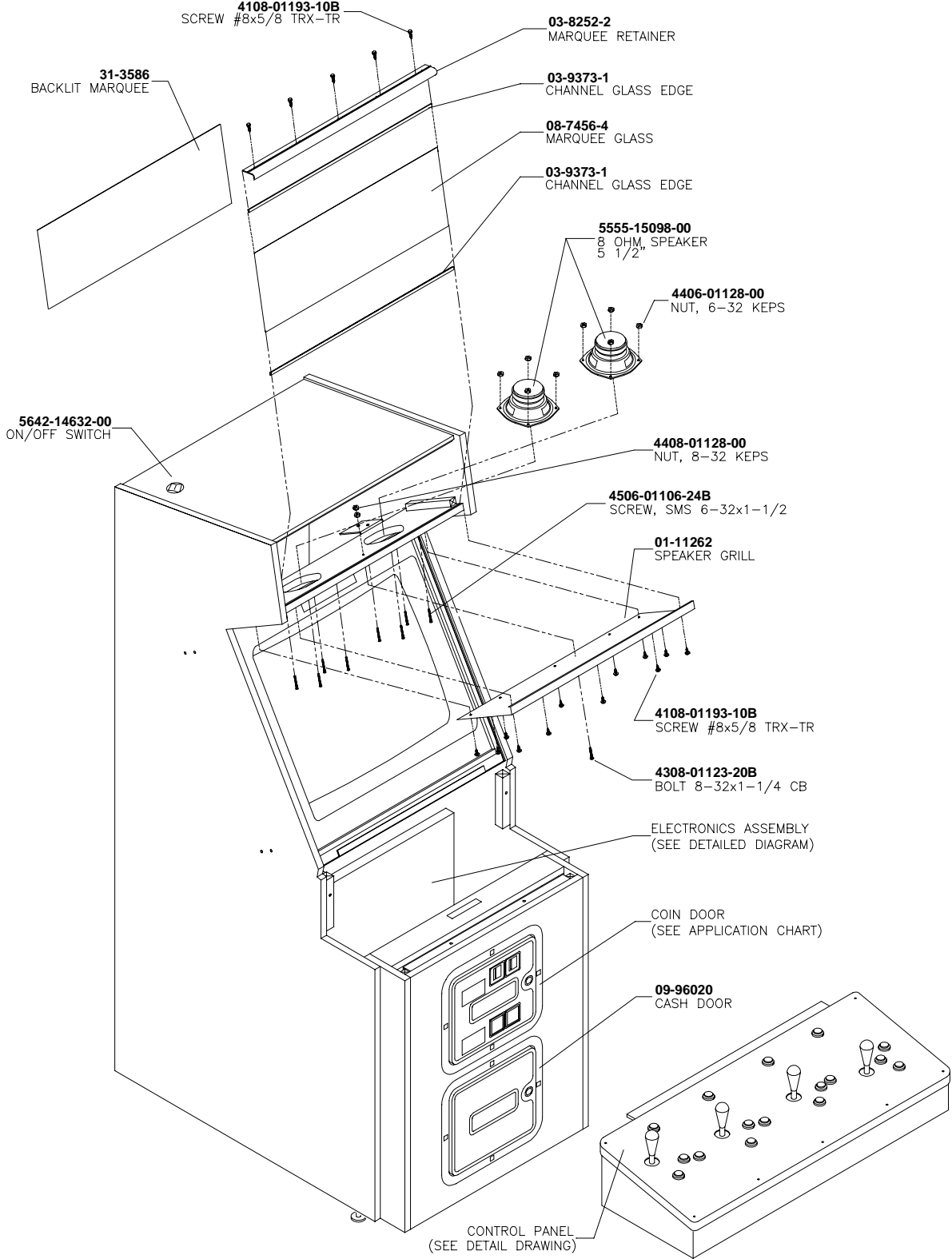
PARTS



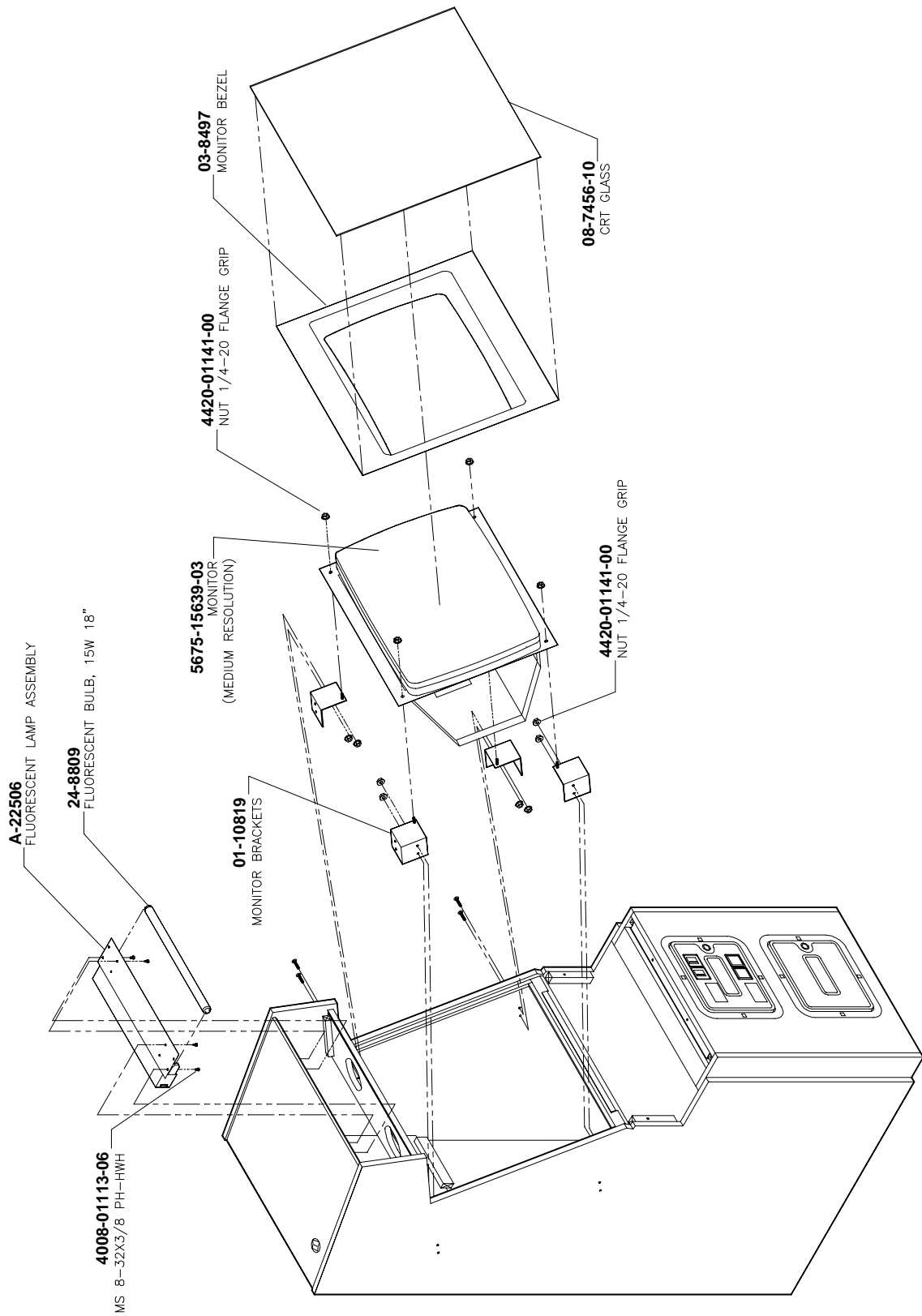
WARNING: Use of non-Midway parts or circuit modifications may cause serious injury or equipment damage! Use only Midway authorized parts.

For safety and reliability, don't substitute parts or modify Midway products. Substitute parts or modifications may void the game's EMC directive or FCC type acceptance.

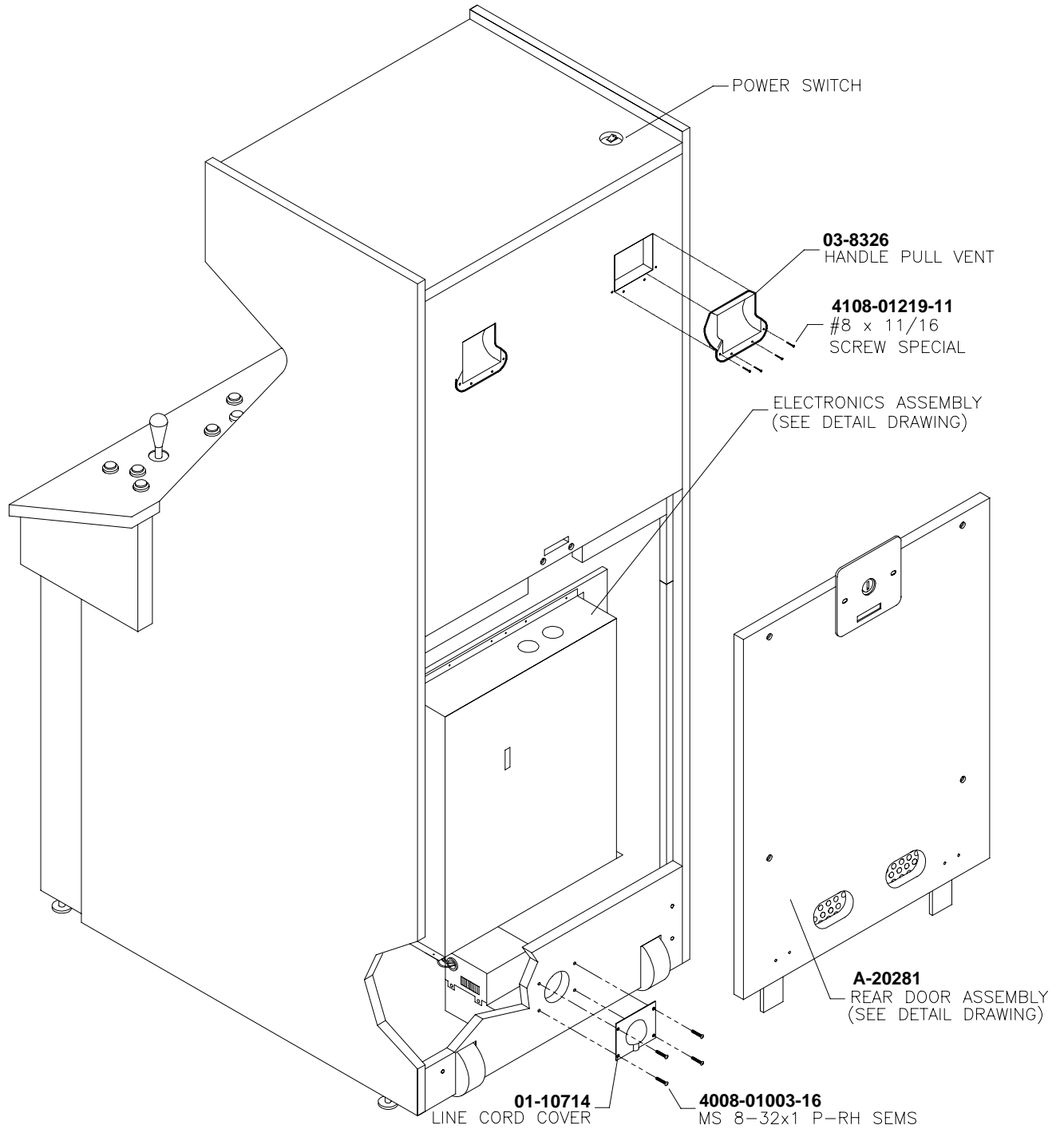
CABINET FRONT VIEW



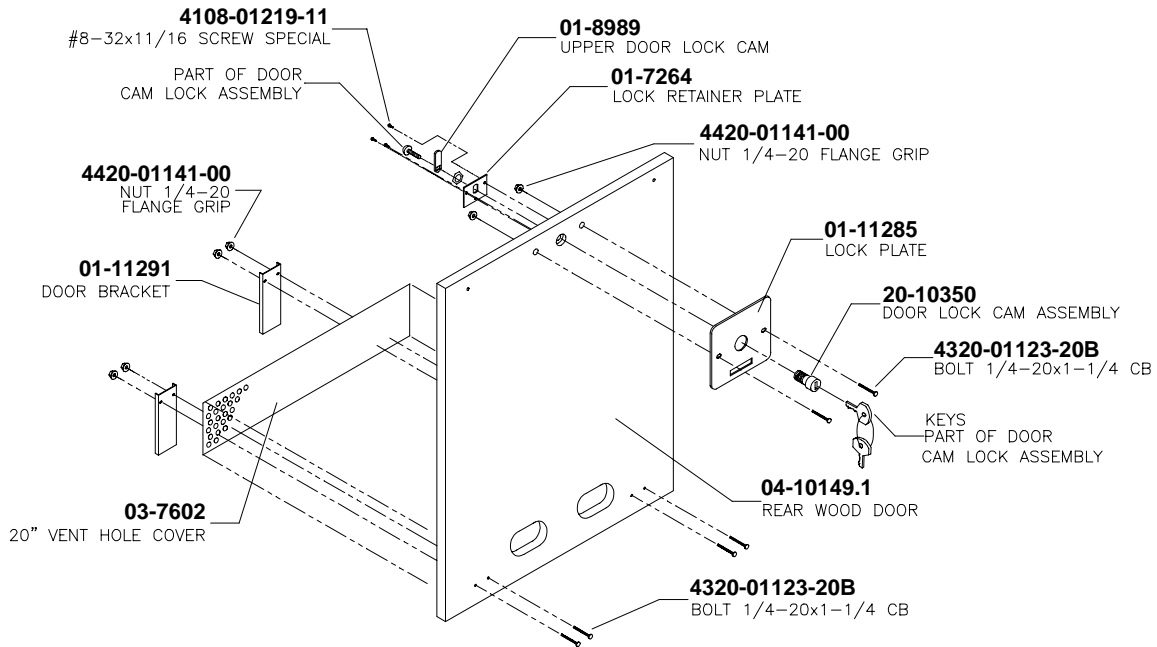
MONITOR AND LAMP FIXTURE MOUNTING



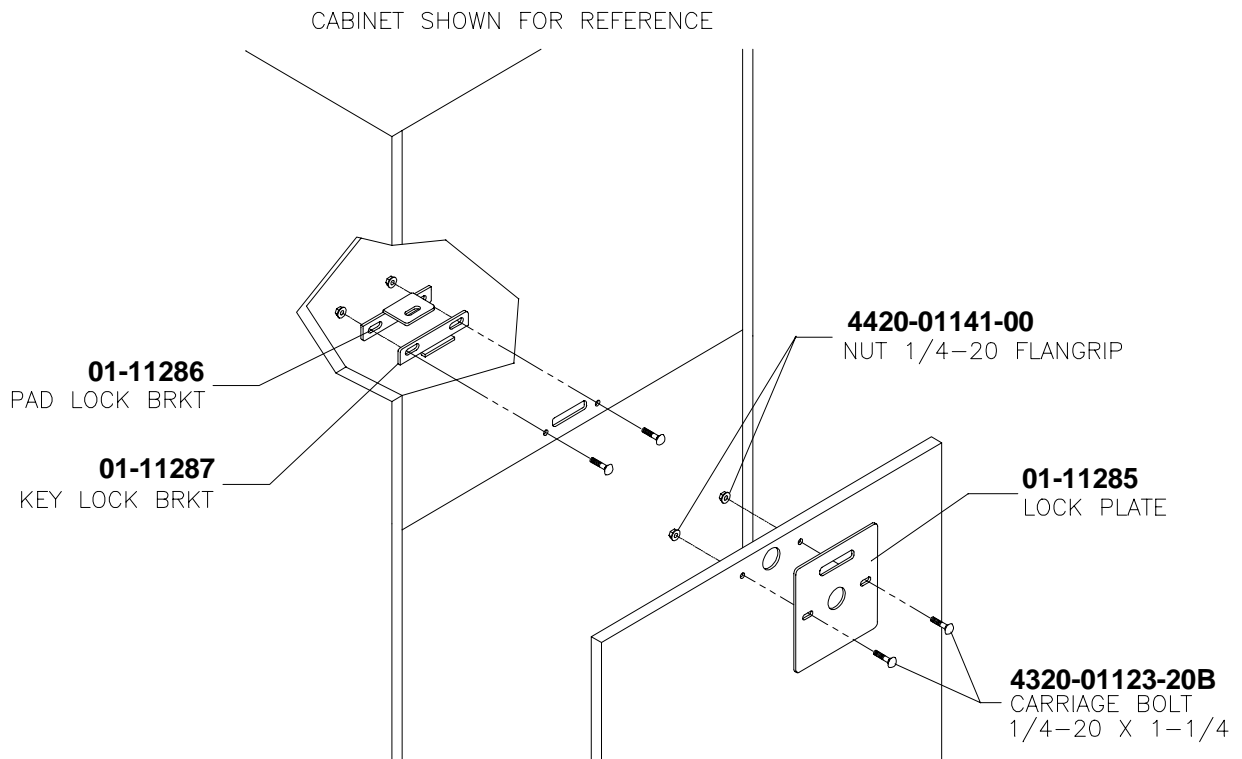
CABINET REAR VIEW



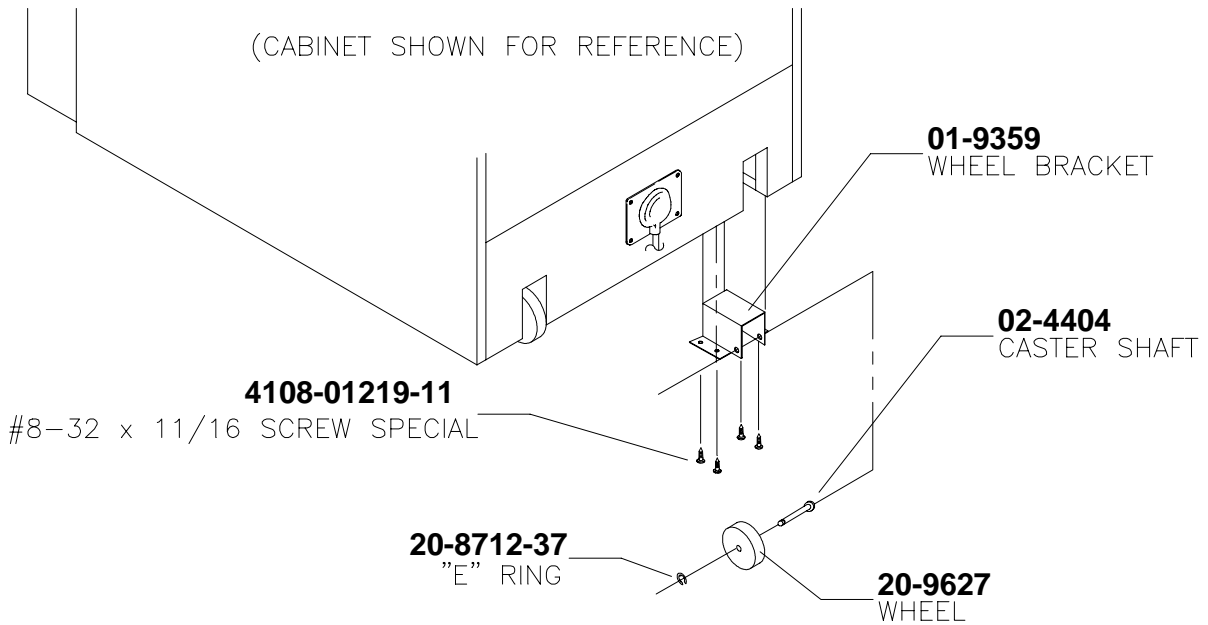
REAR DOOR ASSEMBLY A-20281



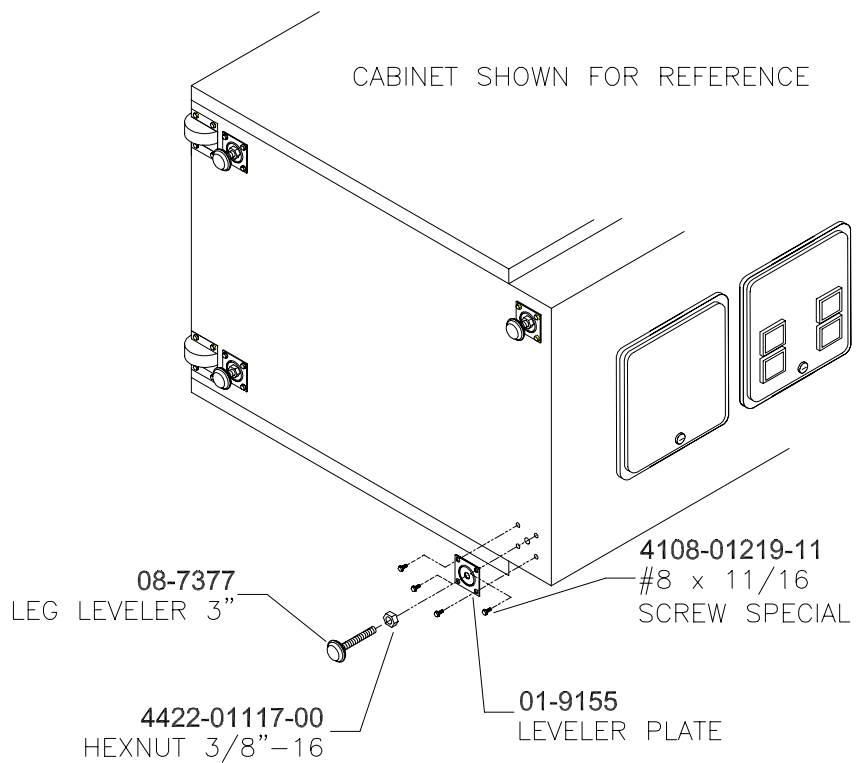
REAR DOOR LOCK DETAIL



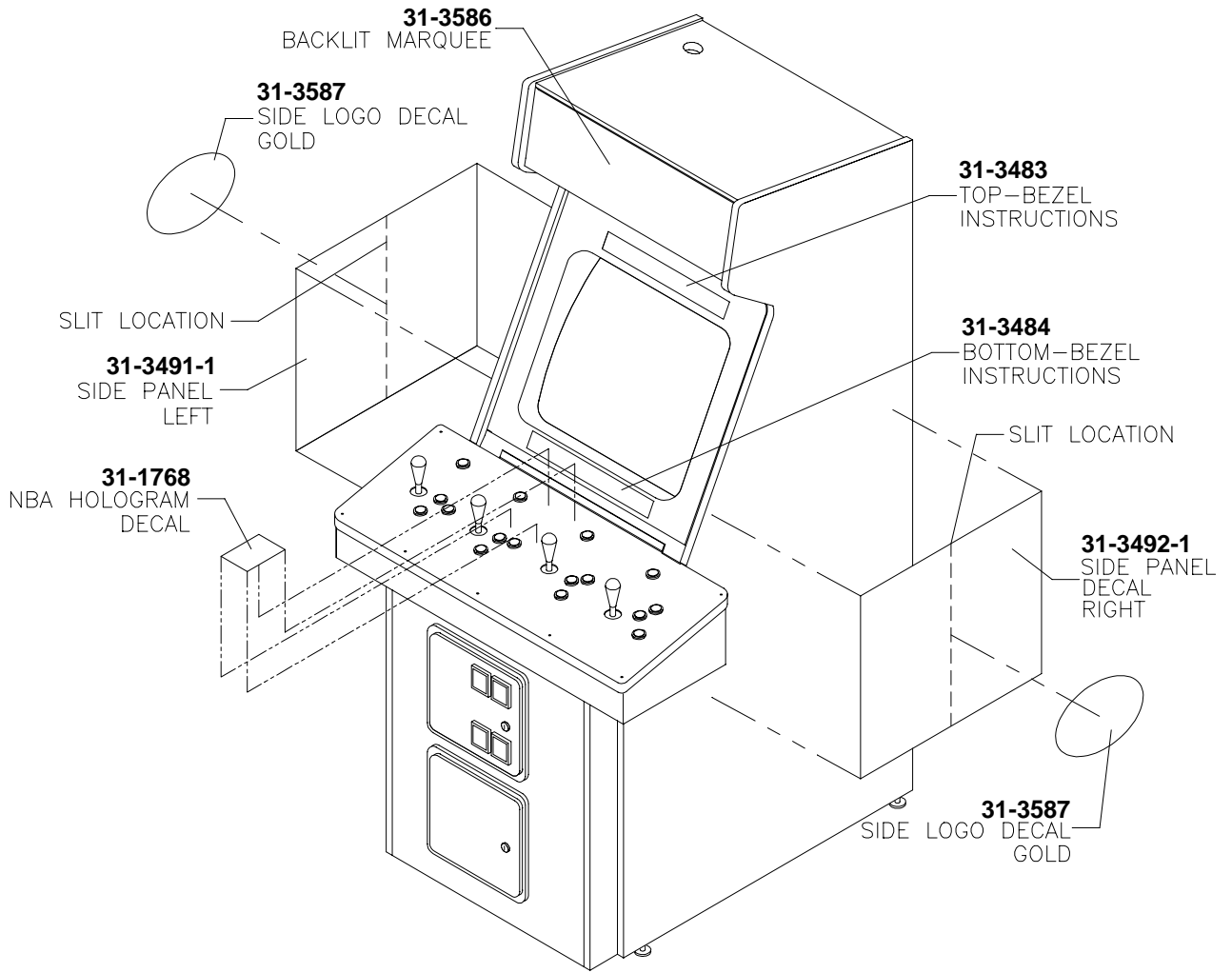
CASTERS



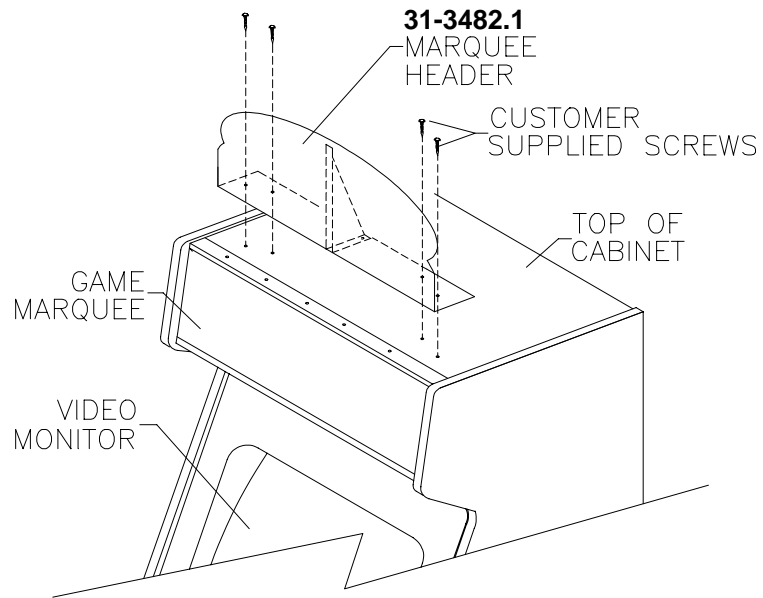
LEG LEVELERS



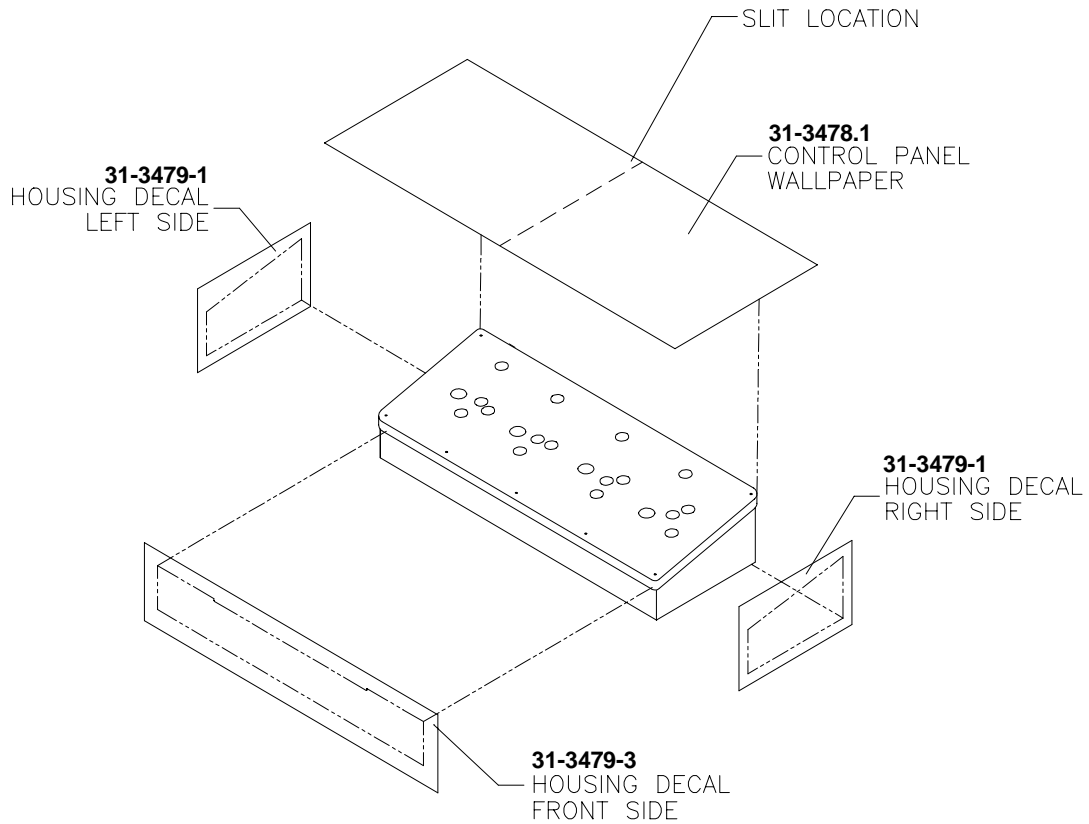
CABINET DECALS



MARQUEE HEADER MOUNTING DETAIL



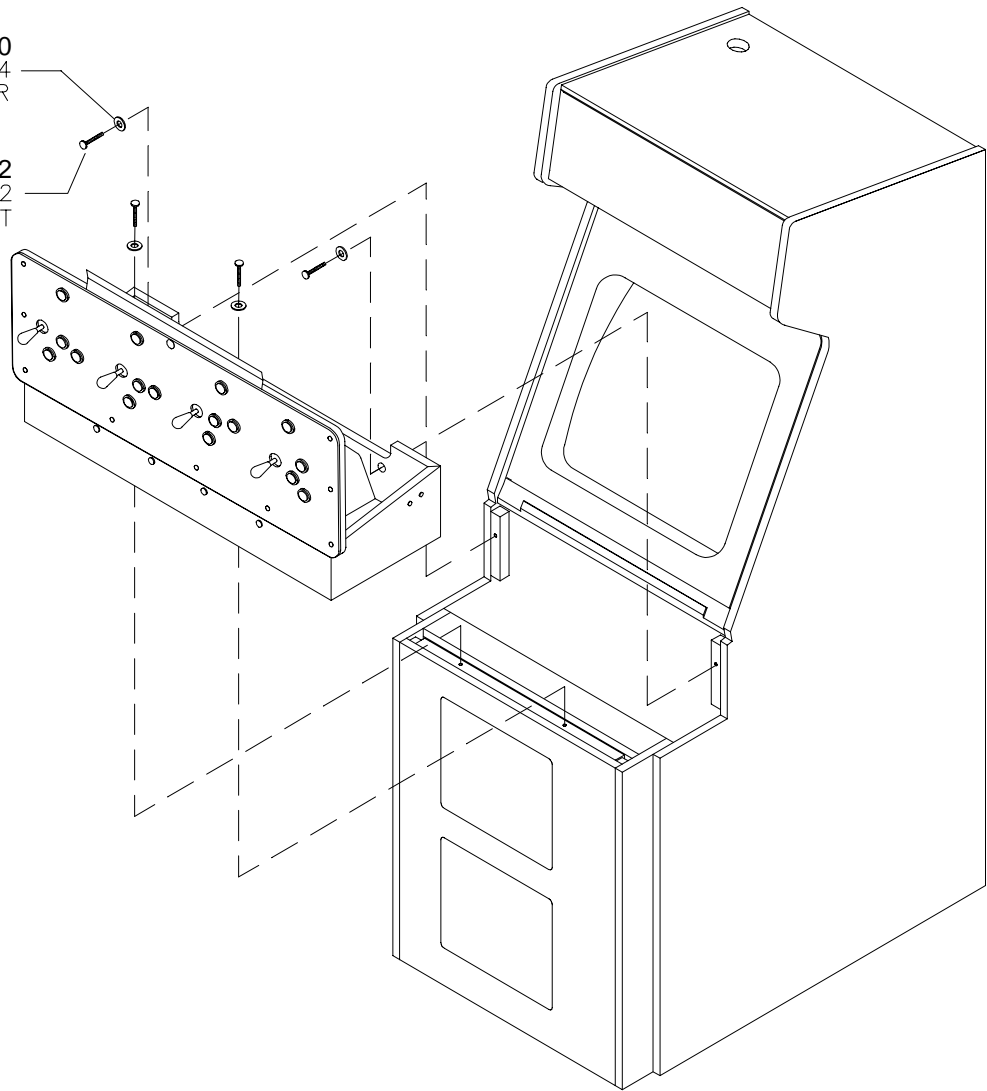
PLAYER PANEL AND HOUSING DECALS



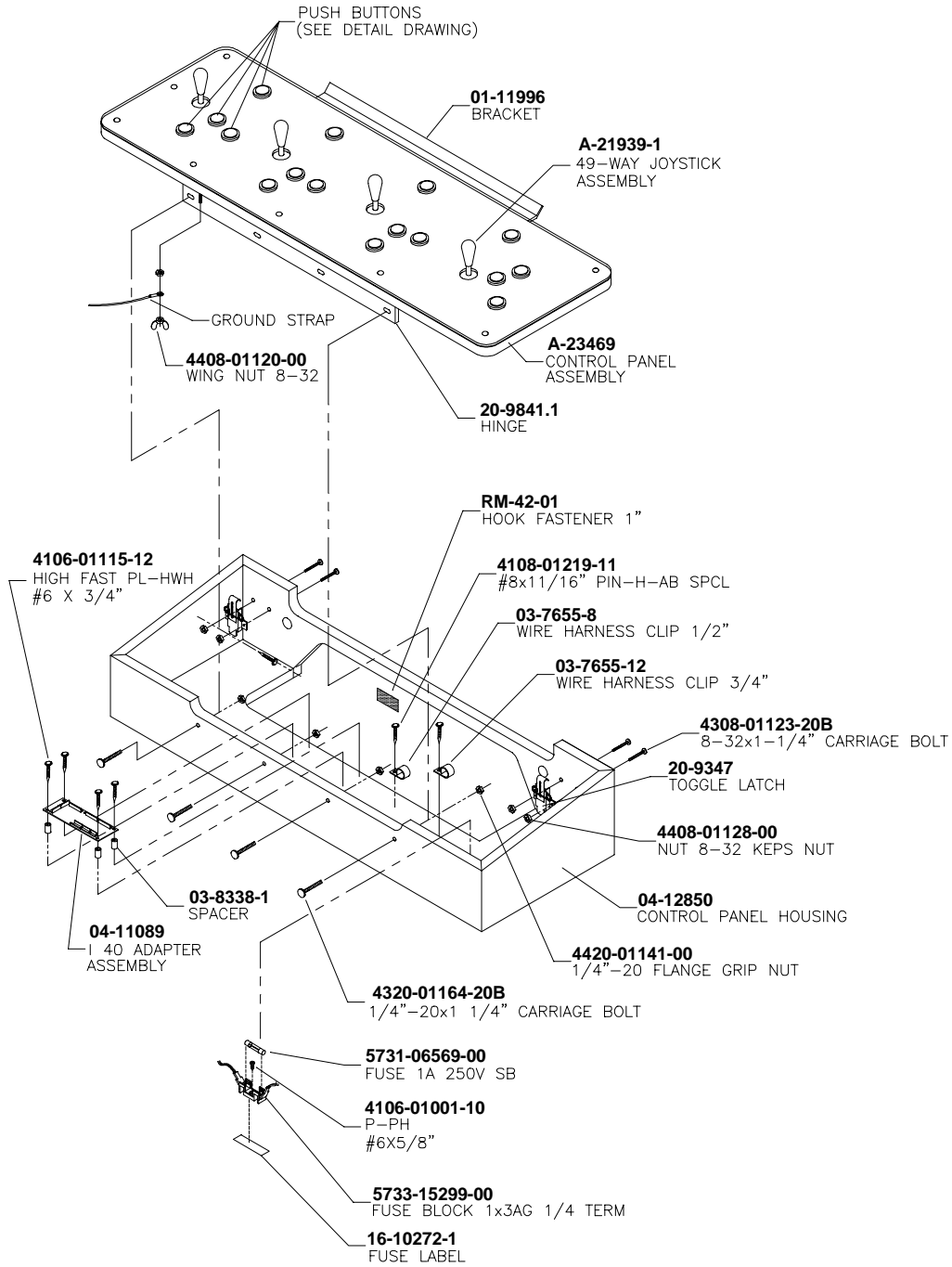
PLAYER PANEL HOUSING INSTALLATION

4700-00075-00
.296x1.00x.094
FLAT WASHER

4320-01124-32
1/4"-20x2
CARRIAGE BOLT



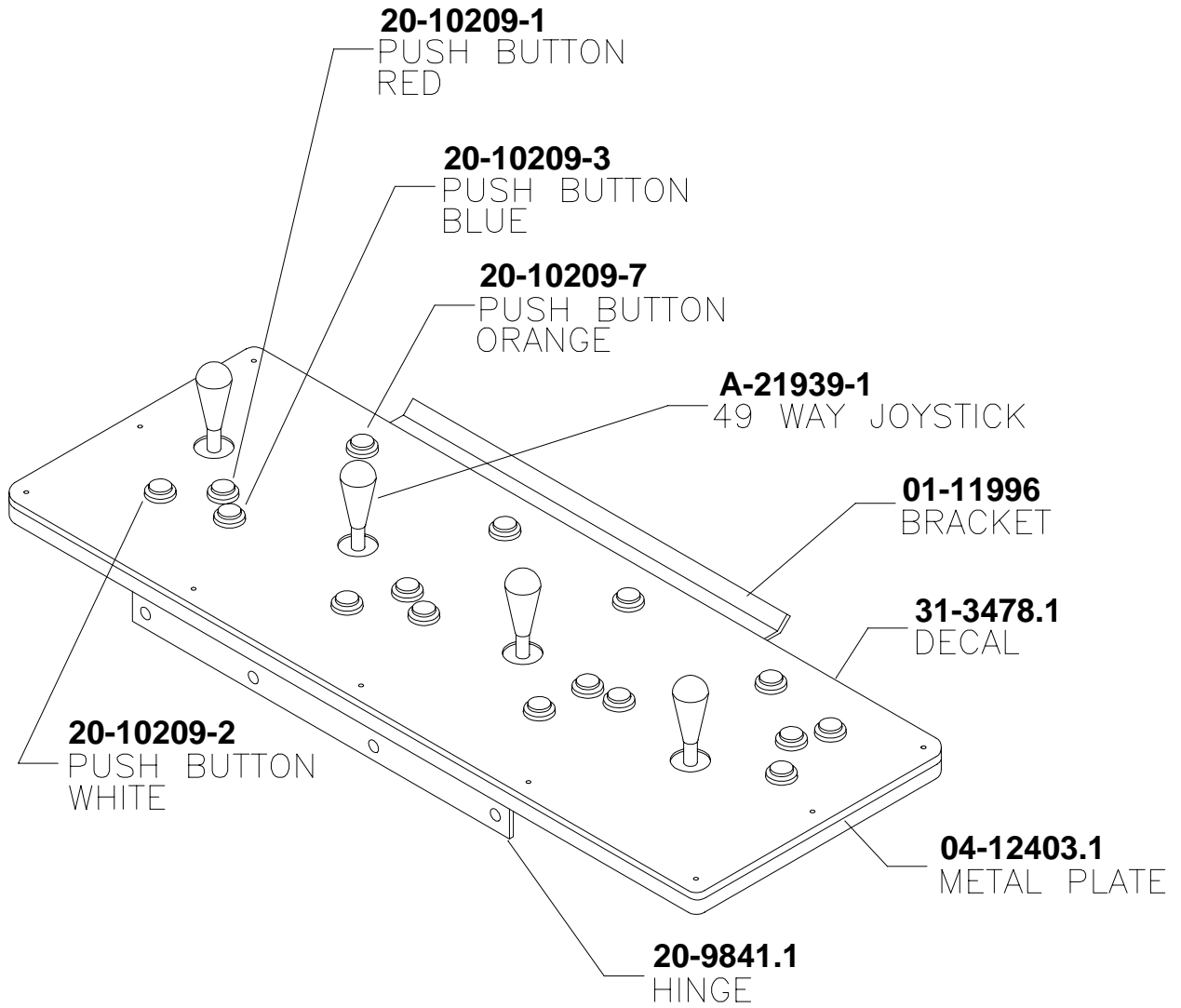
PLAYER PANEL & HOUSING ASSEMBLY A-23467



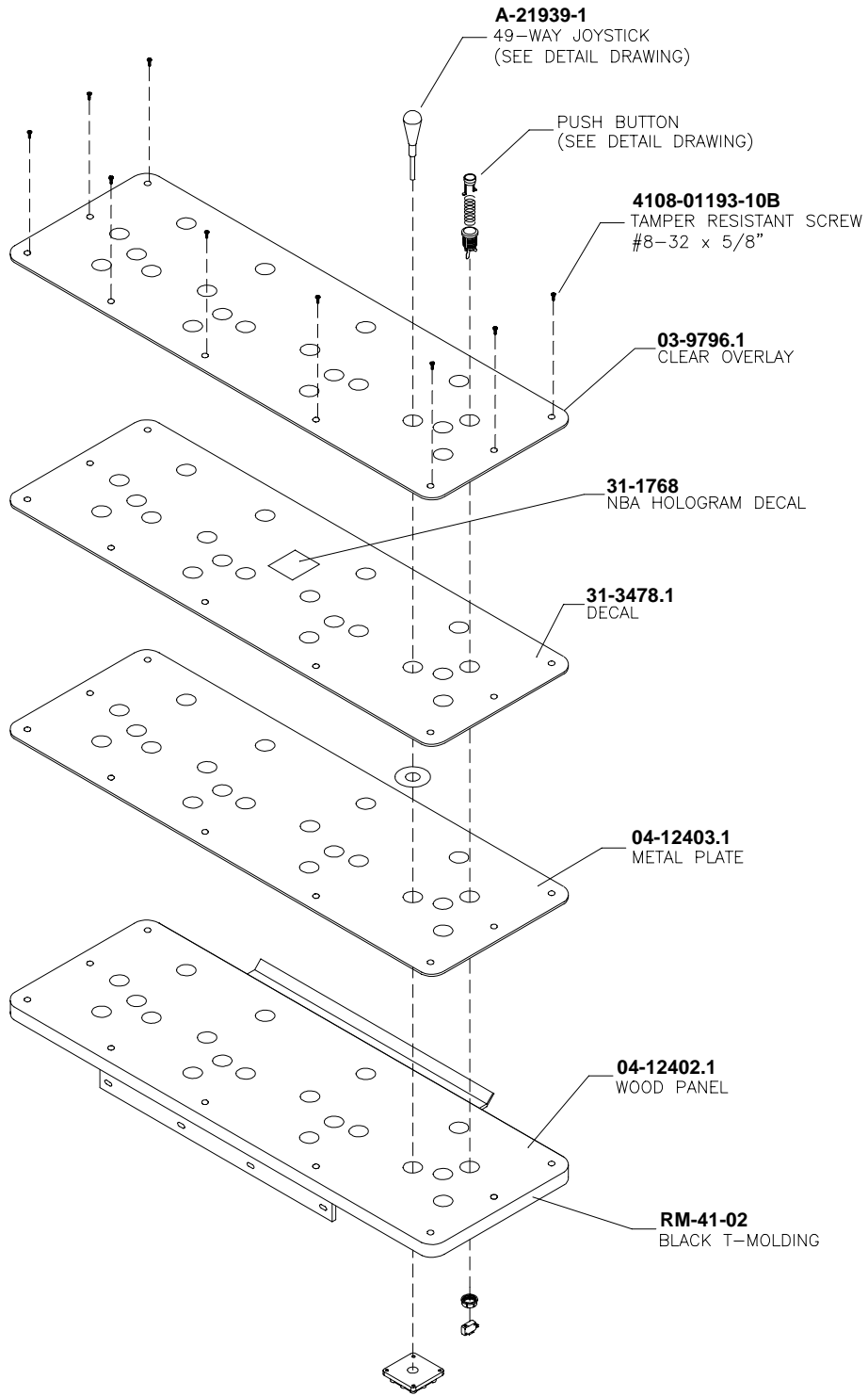
ASSOCIATED PARTS NOT SHOWN:

- | | |
|--|--|
| <p>01-11955
03-9796.1
04-12403.1
31-1768
31-3478.1
31-3479-1
31-3479-3</p> | <p>SECURITY LATCH BRACKET (2)
CLEAR OVERLAY
CONTROL PANEL PLATE
NBA HOLOGRAM DECAL
SCREENED OVERLAY
HOUSING DECAL DECAL, LEFT
HOUSING DECAL DECAL, FRONT</p> |
|--|--|

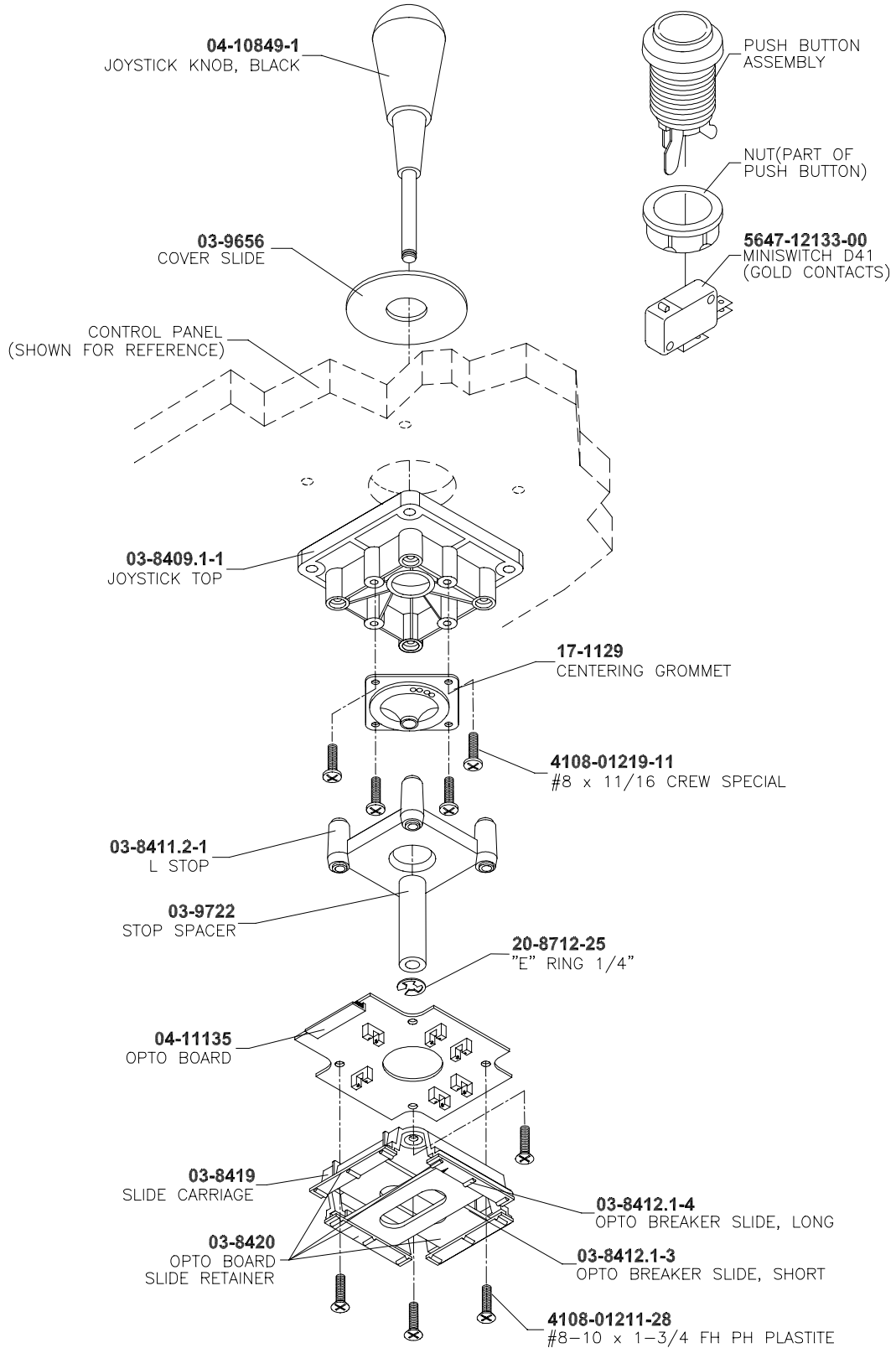
PLAYER PANEL ASSEMBLY A-23469



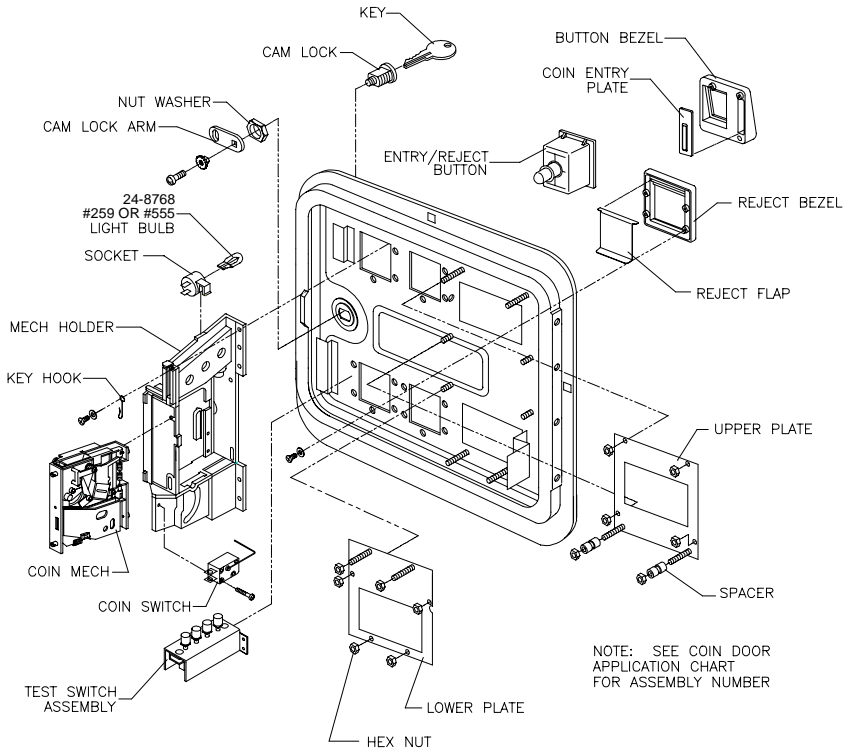
PLAYER PANEL EXPLODED VIEW



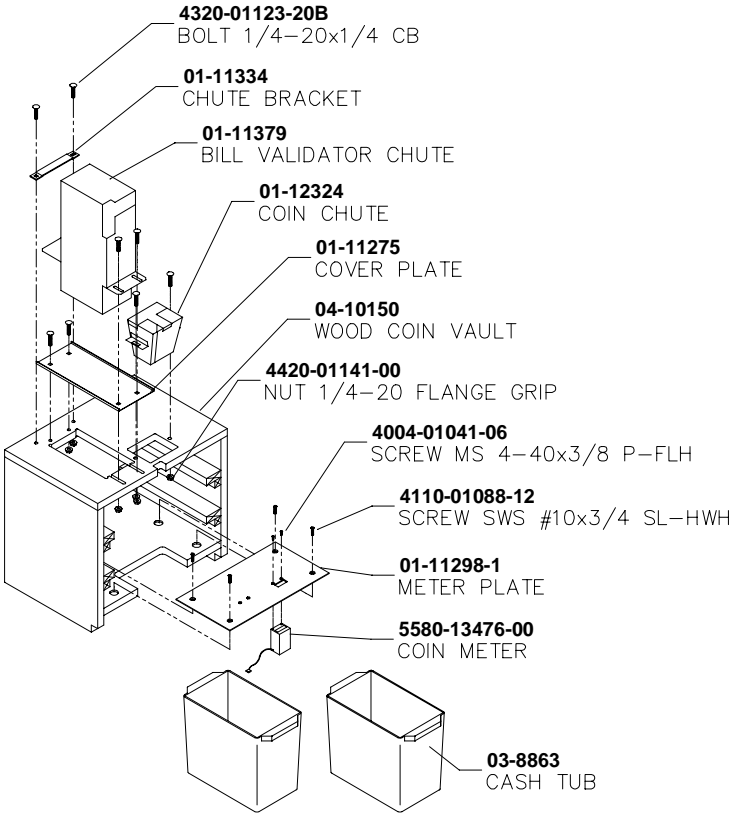
49-WAY JOYSTICK ASSEMBLY A-21939-1 AND BUTTON ASSEMBLY 20-10209-X



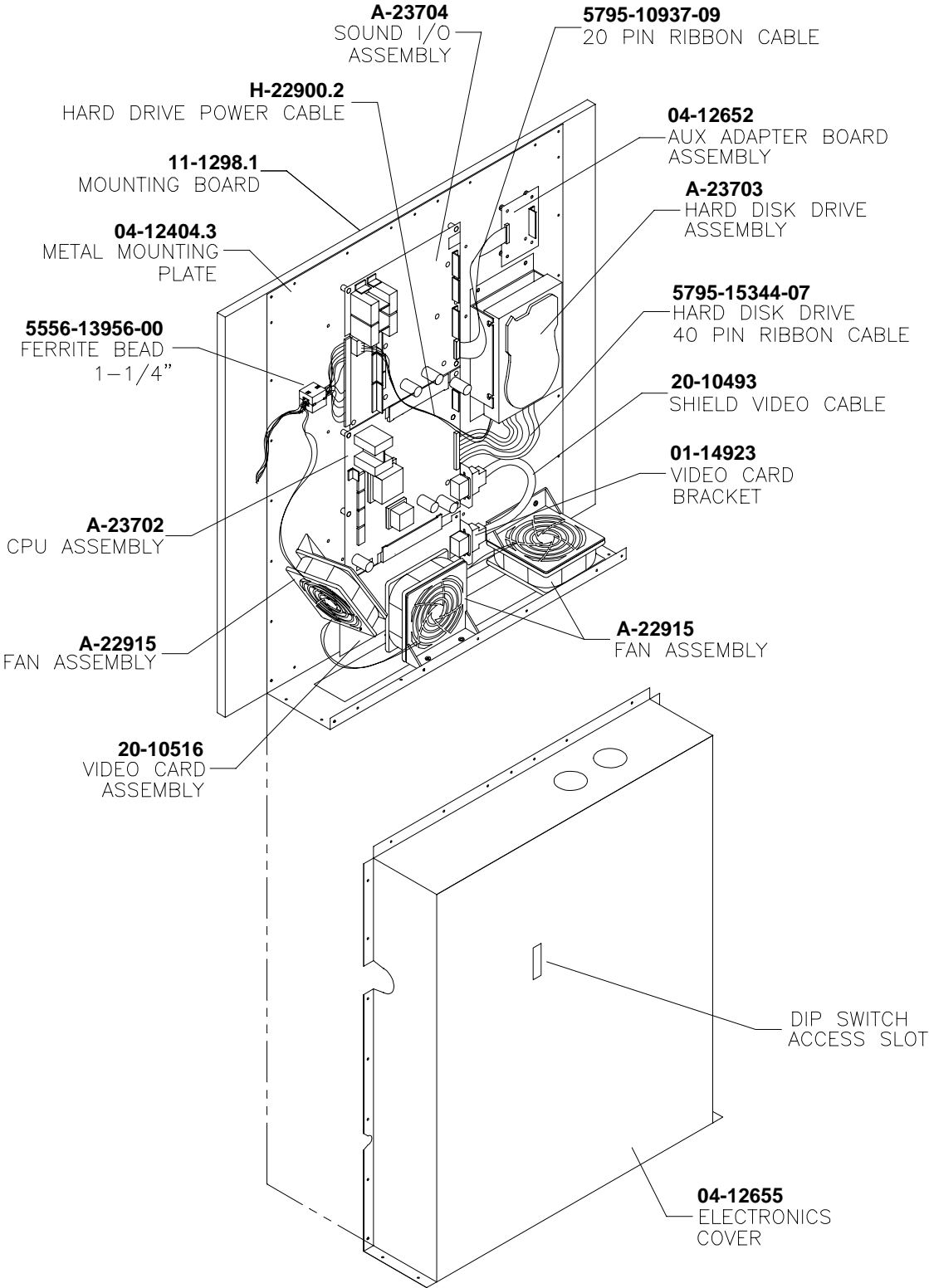
COIN DOOR EXPLODED VIEW



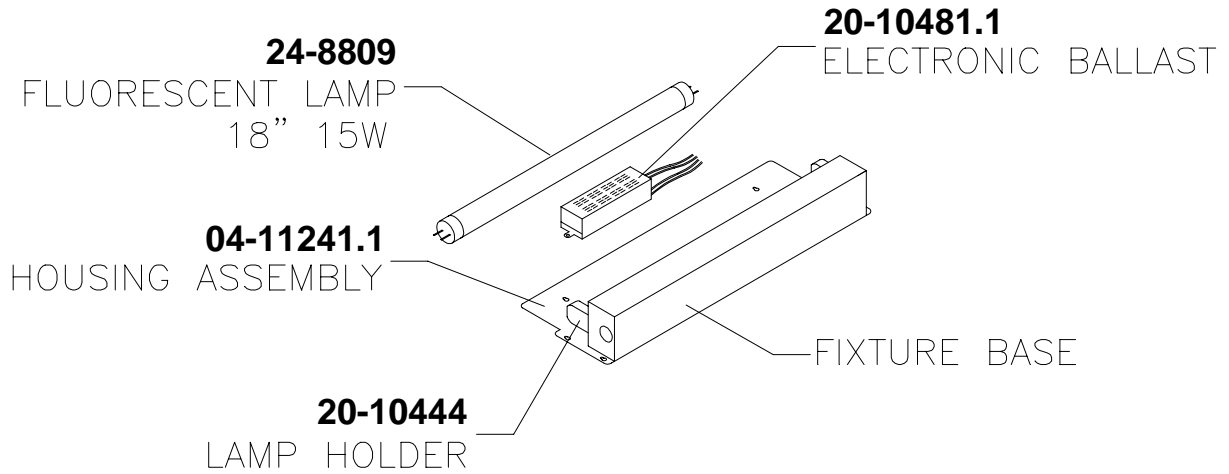
COIN VAULT PARTS



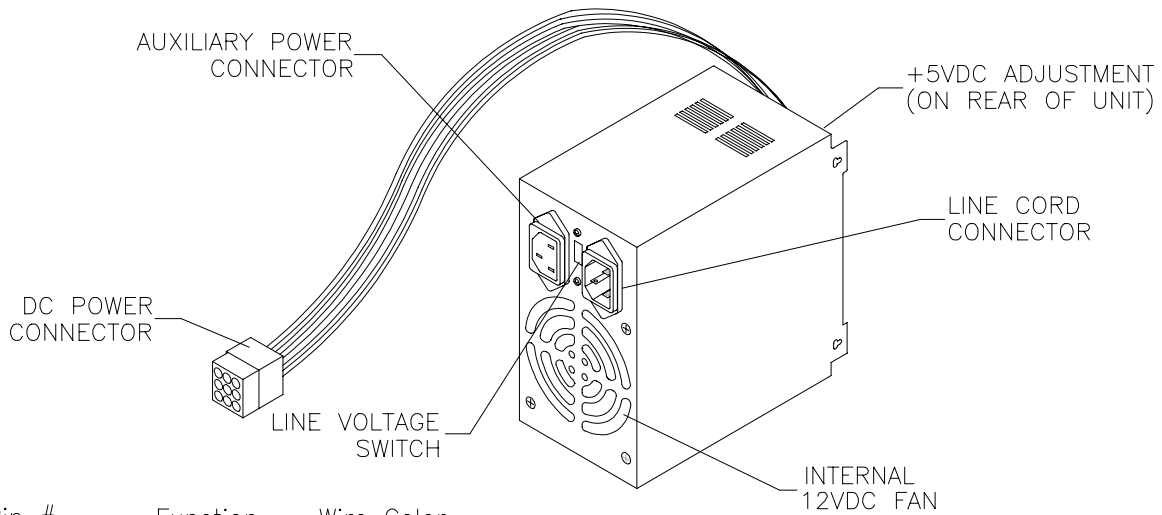
ELECTRONICS ASSEMBLY A-23781



LAMP ASSEMBLY A-22506



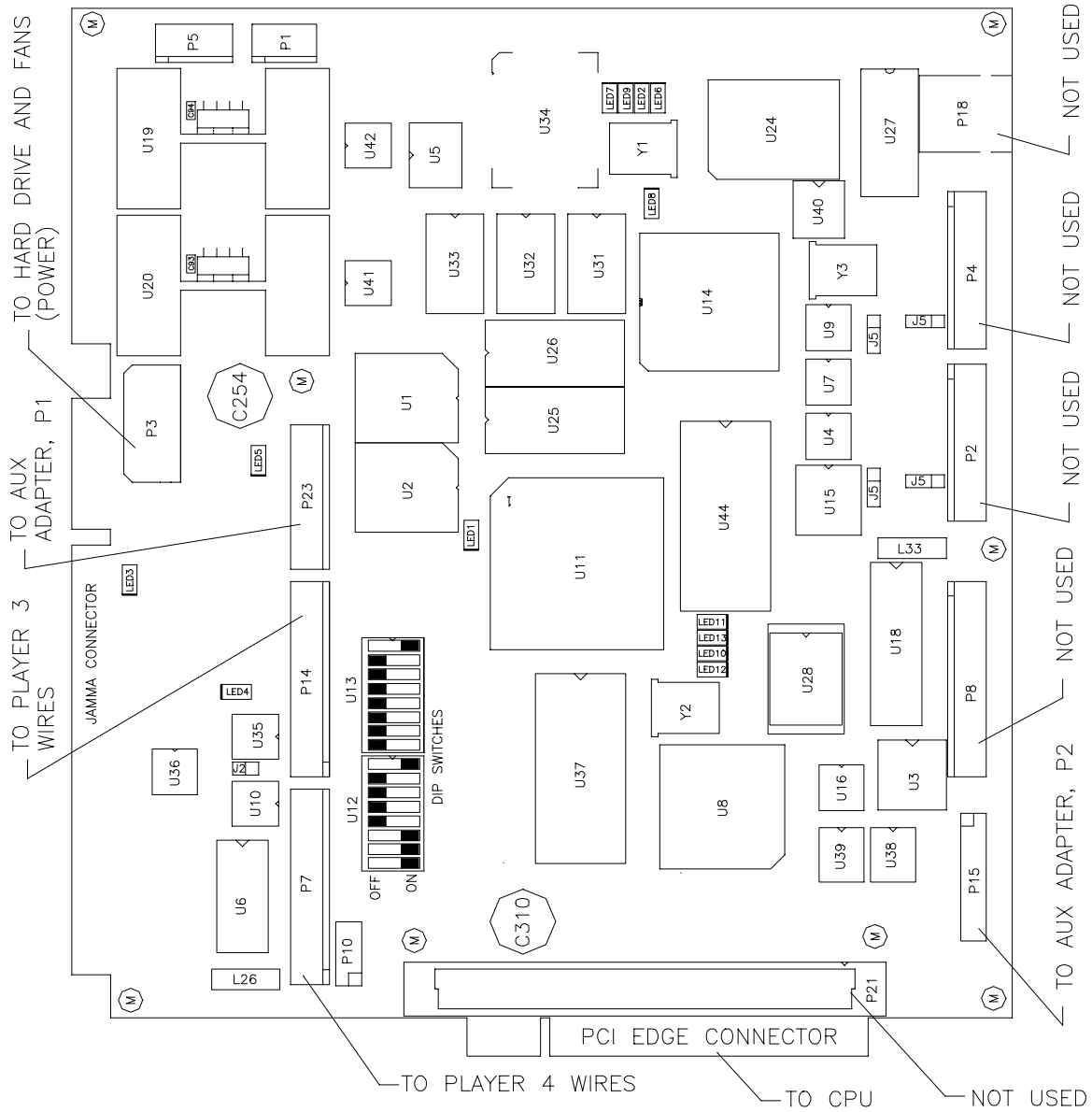
POWER SUPPLY 20-10167



Pin #	Function	Wire Color
1, 2, 3	+5VDC	Red
4, 5, 6	Ground	Black
7	-5VDC	Yellow*
8	+12VDC	Orange*
9	-12VDC	Blue*

***Note:** Many computer grade power supplies use yellow for +12V, blue for -5V, and white for -12V. This is acceptable as long as the pinout is correct.

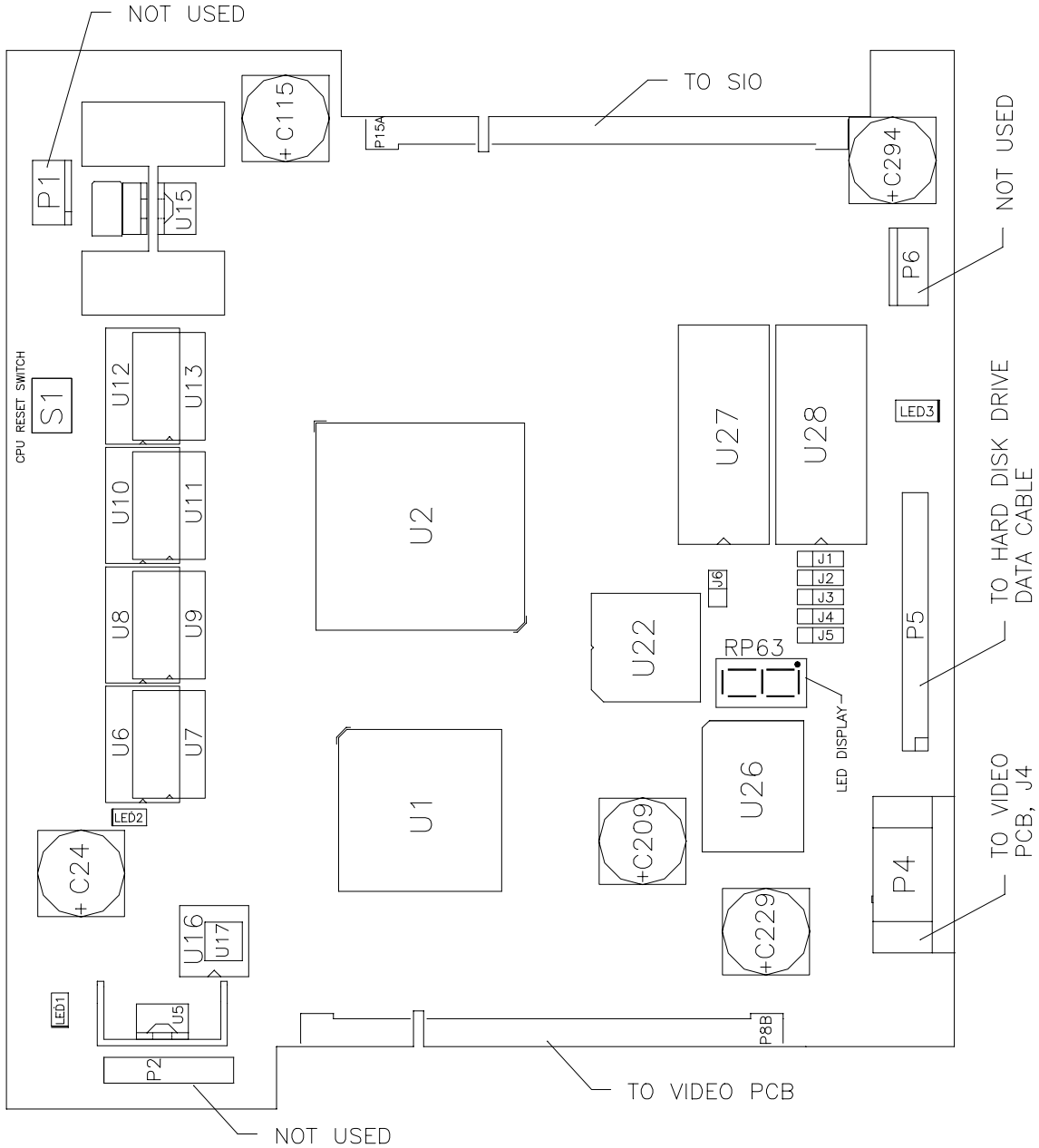
SOUND I/O CARD A-23704



Field Replaceable Parts

Description	Location	Part Number
Capacitor, 2200 μ F, 16V	C310	5040-15904-00
Capacitor, 2200 μ F, 25V	C254	5040-14630-00
Crystal, 4 MHz, Type HC49U	Y2	5520-14602-00
Crystal, 16 MHz, Type HC49U	Y3	5520-14595-00
Crystal, 20 MHz, 3-Lead Type	Y1	5520-15159-00
Heatsink, TO-220, Type 5298b	U19, U20	5705-12638-00
IC, TDA7240V, 20W Amplifier	U19, U20	5370-14146-00
Oscillator, 33 MHz, TTL, Tri-State	U3	5521-13806-06
ROM, Sound Boot	U44	A-5343-15909-2
Shunt, 0.025" Square Pins	Any Jumper	5882-13046-00

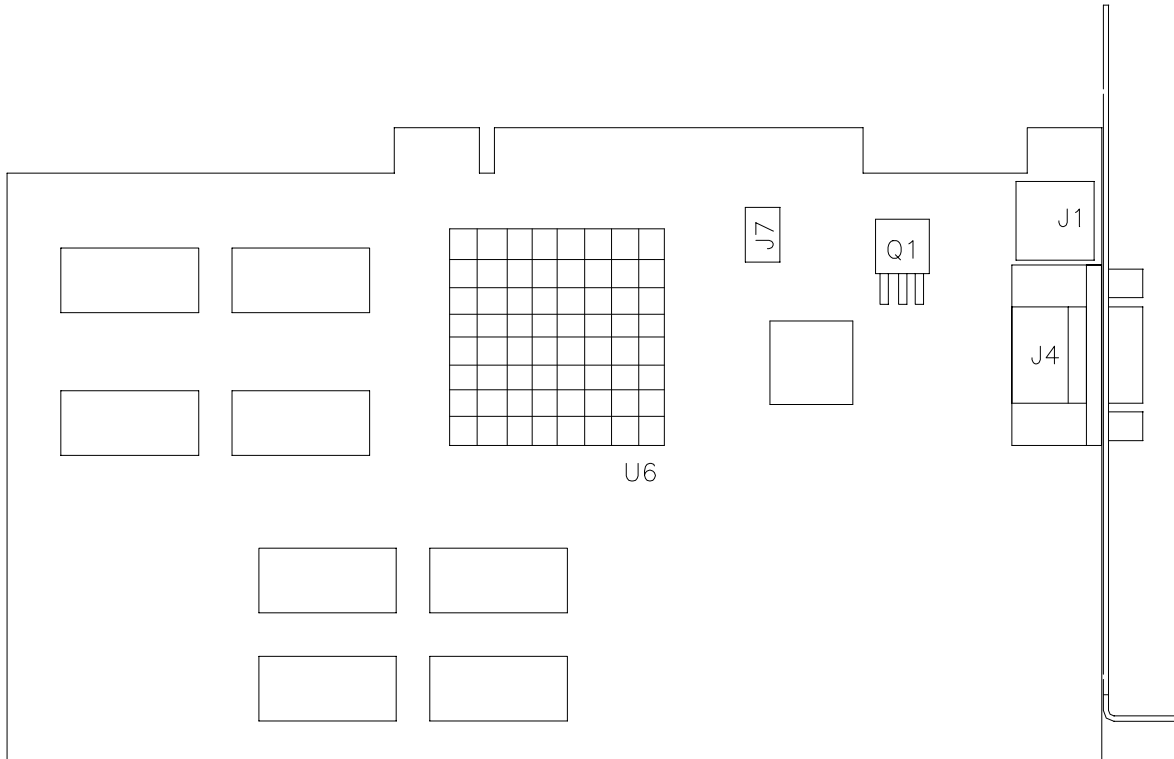
CPU BOARD ASSEMBLY A-23702



Field Replaceable Parts

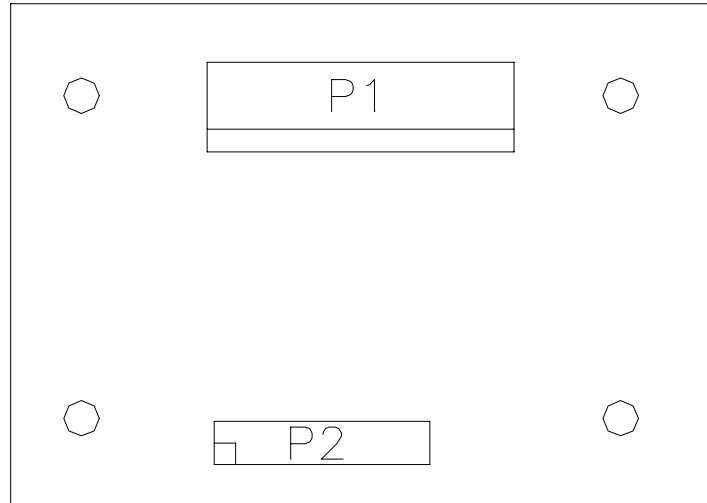
Description	Location	Part Number
Capacitor, 2200 μ F, 16V, Radial	C24, C115, C209, C229, C294	5040-15904-00
Heatsink, TO-220, Small	U5	5705-14562-00
Heatsink, TO-220, Type 5298b	U15	5705-12638-00
PLD, CPU Configuration	U22	A-22912
Regulator, CS5203a	U5	5250-16015-00
ROM, Boot	U27	A-5343-15909-1
ROM, Expansion	U28	For Future Use

BANSHEE VIDEO CARD 20-10516



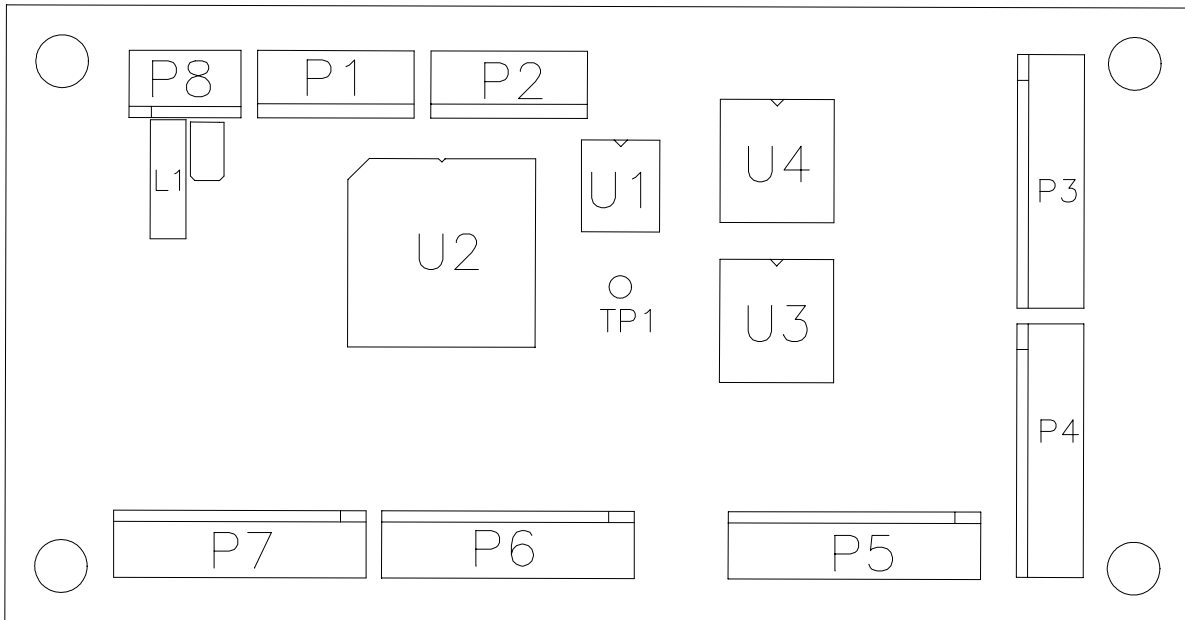
No Field-Replaceable Parts

AUXILIARY ADAPTER CARD ASSEMBLY 04-12652



No Field-Replaceable Parts

I-40 BOARD ASSEMBLY 04-11089



No Field-Replaceable Parts

OTHER PARTS

Bulbs, Filters and Fuses

Ballast, 15W	20-10481.1
Bulb, #555 6.3V, 0.25A, Wedge-Based Light	24-8768
Fuse, 1ASB, 250V.....	5731-06569-00
Fuse, 3ASB, 250V, 3AG	5731-10356-00
Holder, 1 x 3AG, ¼" Terminal Fuse	5733-15299-00
Tube, Fluorescent, 15W, 18"	24-8809

Cables

Braid, Ground with ¼" Terminal	H-22327-86
Cable, Coin Meter Extension	H-22786
Cable, Disk Drive Fan	H-22900.2
Cable, Fluorescent Lamp and Electronic Ballast	H-22507
Cable, IDC AC.....	H-20353
Cable, Main Harness (JAMMA)	H-22824.1
Cable, Ribbon, 40-Pin	5795-15344-07
Cable, Ribbon, 20-Pin	5795-10937-09
Cable, Shielded Video.....	20-10493
Cable, Stereo Speaker.....	H-22758
Harness, Cabinet AC	A-22693

Documents

Card, Game Information	16-10650
Manual, SportStation, 25"	16-10009-101

Kit, Spare Parts

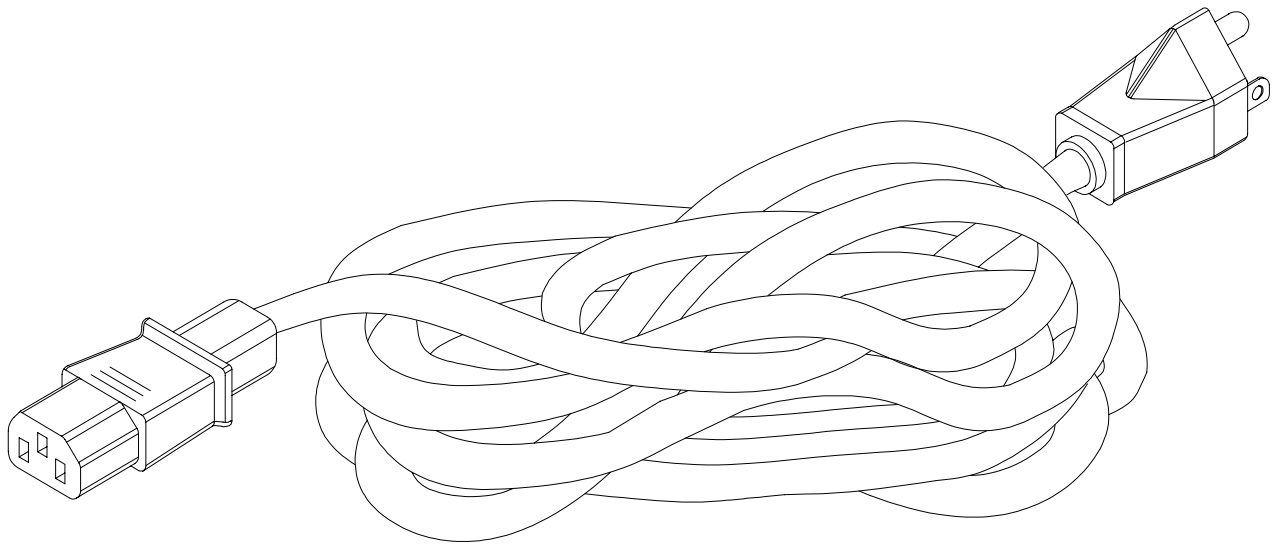
Kit, Spare Parts	A-22561
Leveler, Leg Adjustment, 3"	08-7377
Wrench, T-20, Long Arm Tamper-Resistant (Torx®).....	20-9620

Meter, Coin

Meter, 5V, 2W Coin (with Diode)	5580-13476-00
---------------------------------------	---------------

LINE CORD APPLICATION TABLE

Part Number Country	5850-13275-00	5850-13271-00	5850-13272-00	5850-13273-00	5850-13276-00	5850-13277-00	5850-13278-00
Australia						■	
Austria			■				
Belgium			■				
Canada		■					
Denmark			■				
Finland			■				
France			■				
Germany			■				
Holland			■				
Hungary			■				
Italy	■						
Japan							■
New Zealand						■	
Norway			■				
Spain			■				
Switzerland					■		
UK				■			
USA		■					



TYPICAL I.E.C. LINE CORD WITH INLINE FEMALE PLUG

COIN DOOR APPLICATION TABLE

Part Number Country	09-96017-15	09-96017-17	09-96017-33	09-96000.1
Australia				■
Austria				■
Belgium				■
Canada			■	
Denmark				■
Finland				■
France				■
Germany				■
Holland				■
Hungary				■
Italy				■
Japan	■			
New Zealand		■		
Norway				■
Spain				■
Switzerland				■
UK				■
USA			■	

