


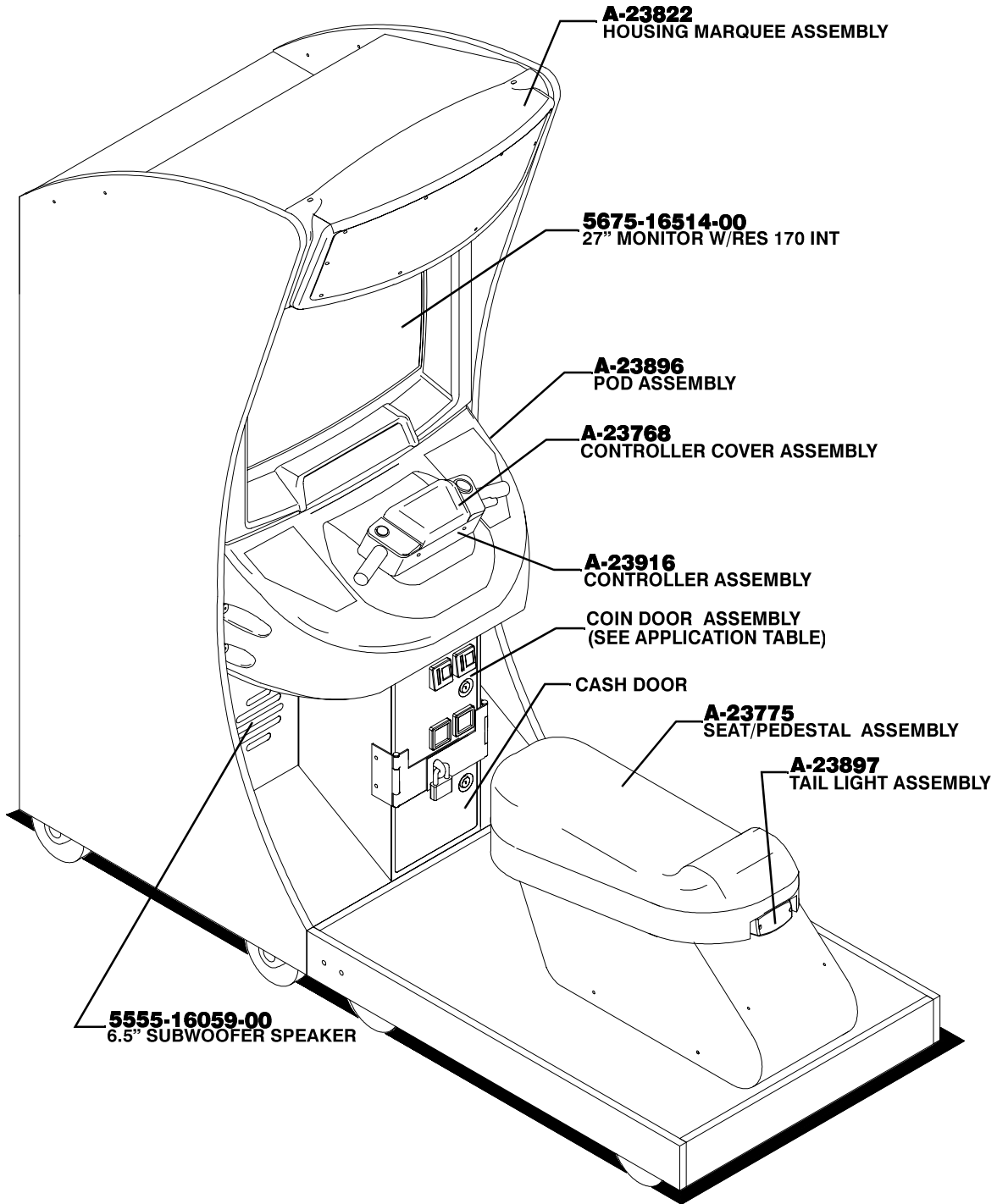


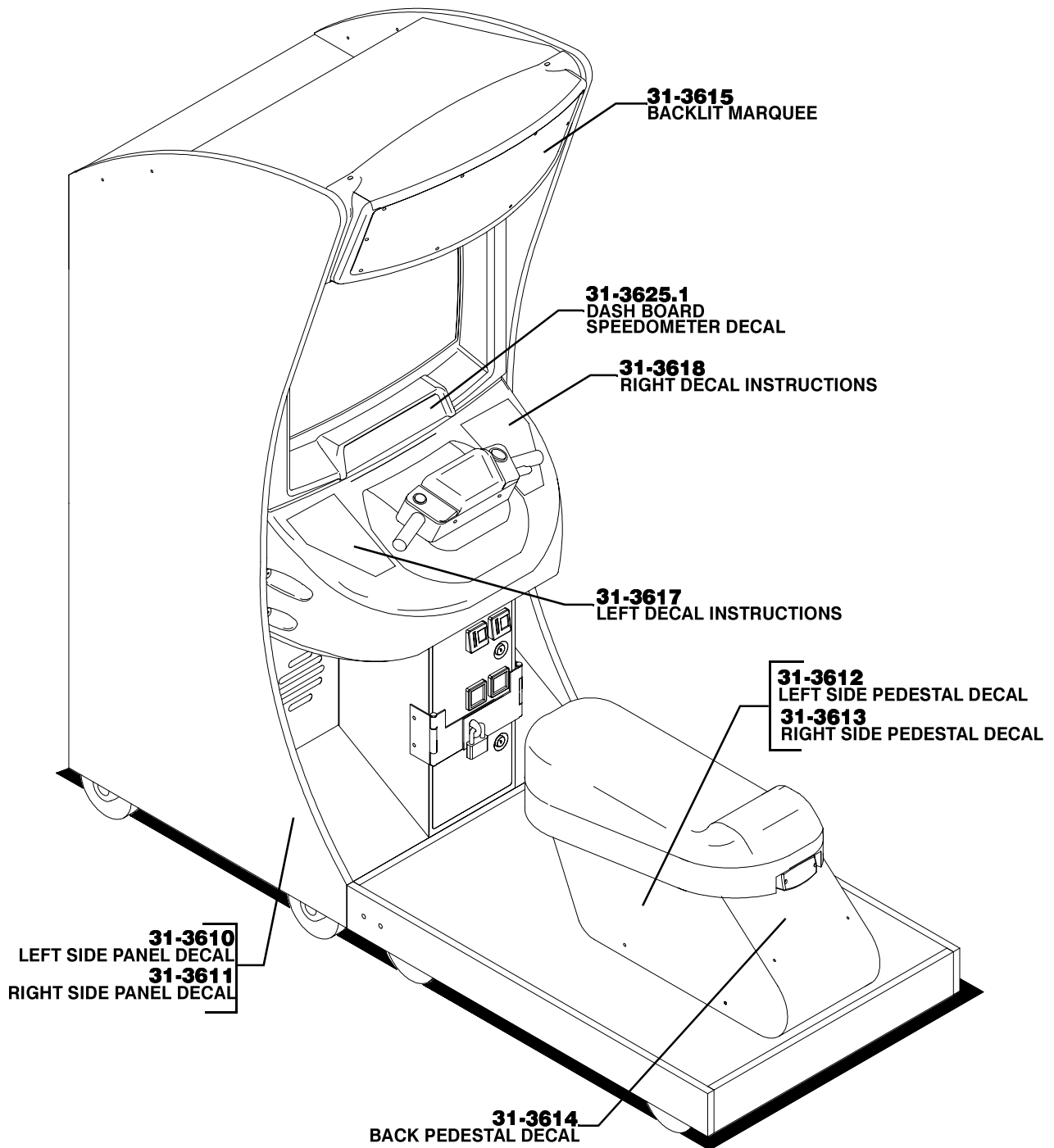
PARTS

	<p>WARNING: Use of non-<i>Midway</i> parts or circuit modifications may cause serious injury or equipment damage!</p> <p>Substitute parts or modifications are NOT recommended and may void EMC directive or FCC type acceptance, and may also jeopardize safety and reliability.</p>
	<p>For ease of maintenance, illustrations show exploded views of individual parts in an assembly. Some components may only be available as part of a larger assembly. Check with your parts supplier for availability.</p>
	<p>USE ONLY GENUINE MIDWAY PARTS. Use of non-MIDWAY parts may affect your warranty coverage. See warranty for complete details.</p>

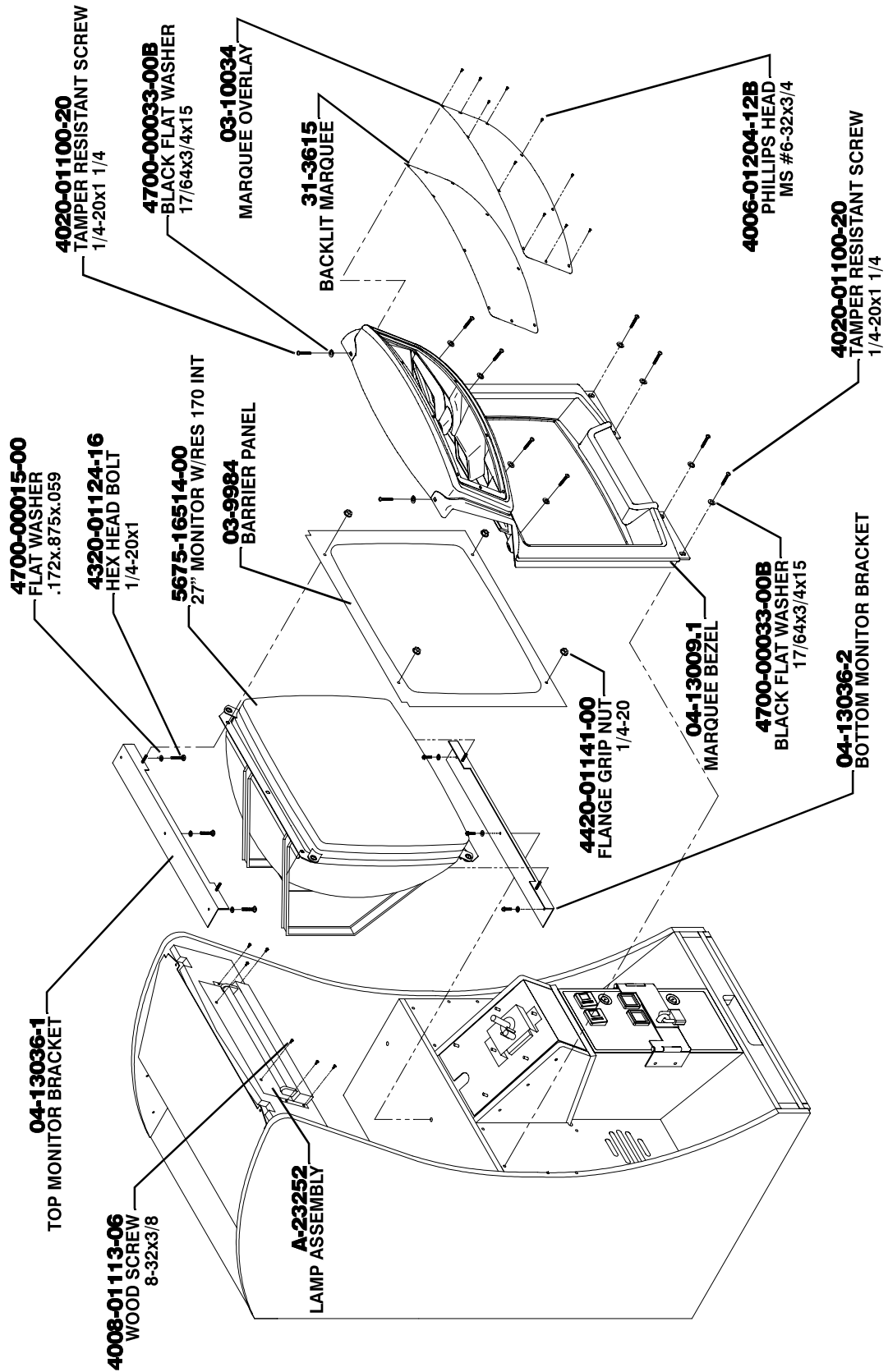
CABINET FRONT VIEW



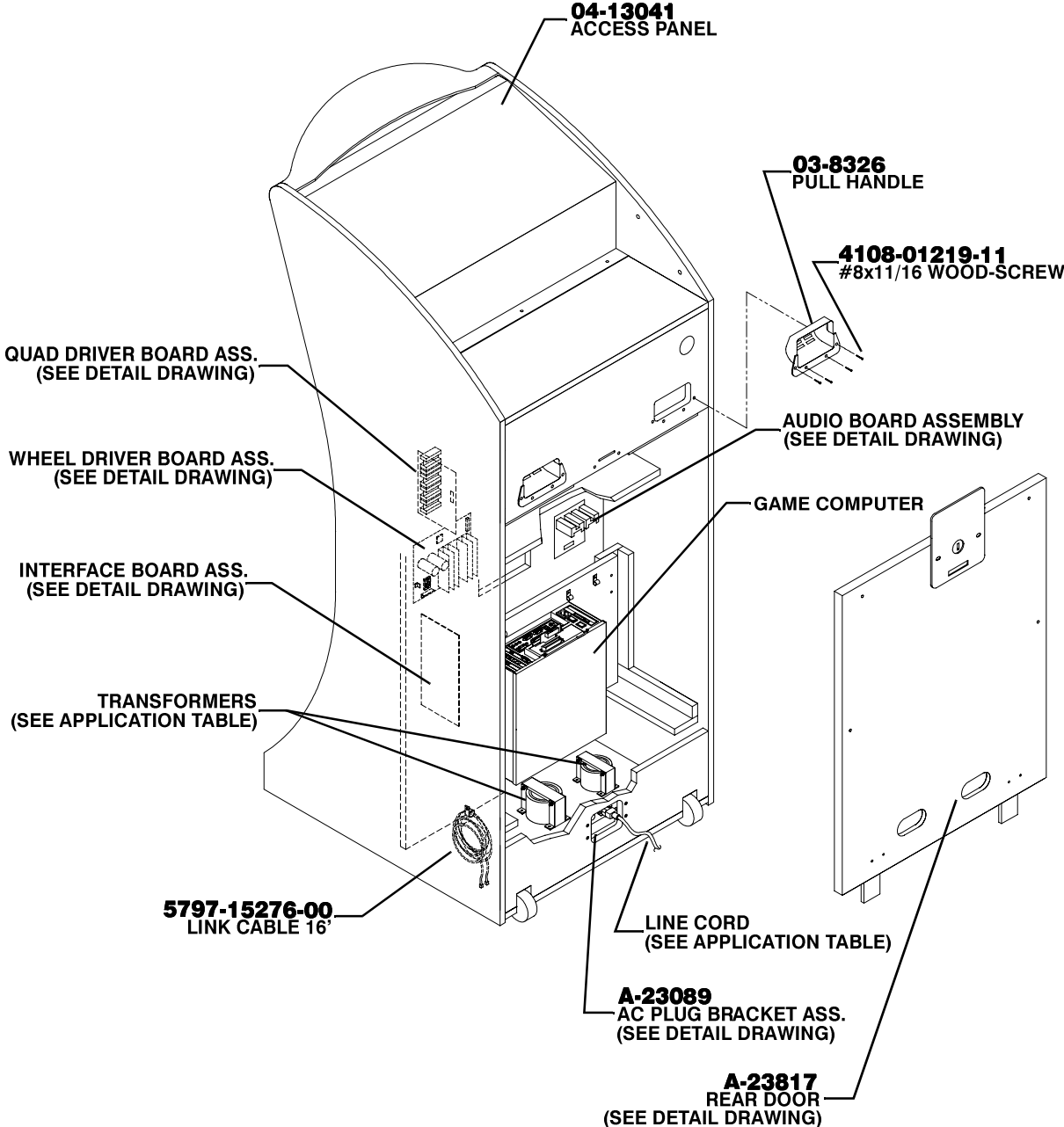
CABINET DECALS



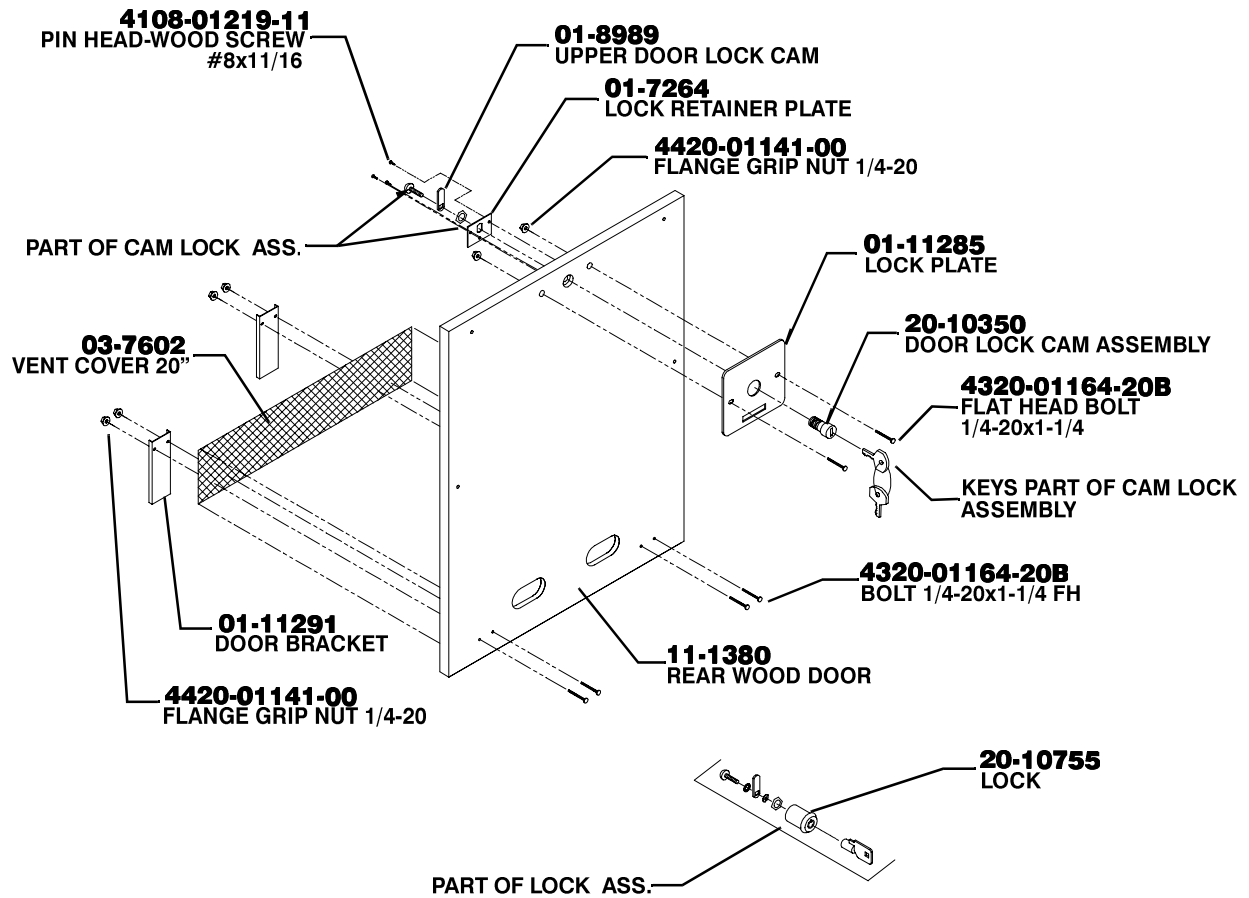
MONITOR MOUNTING



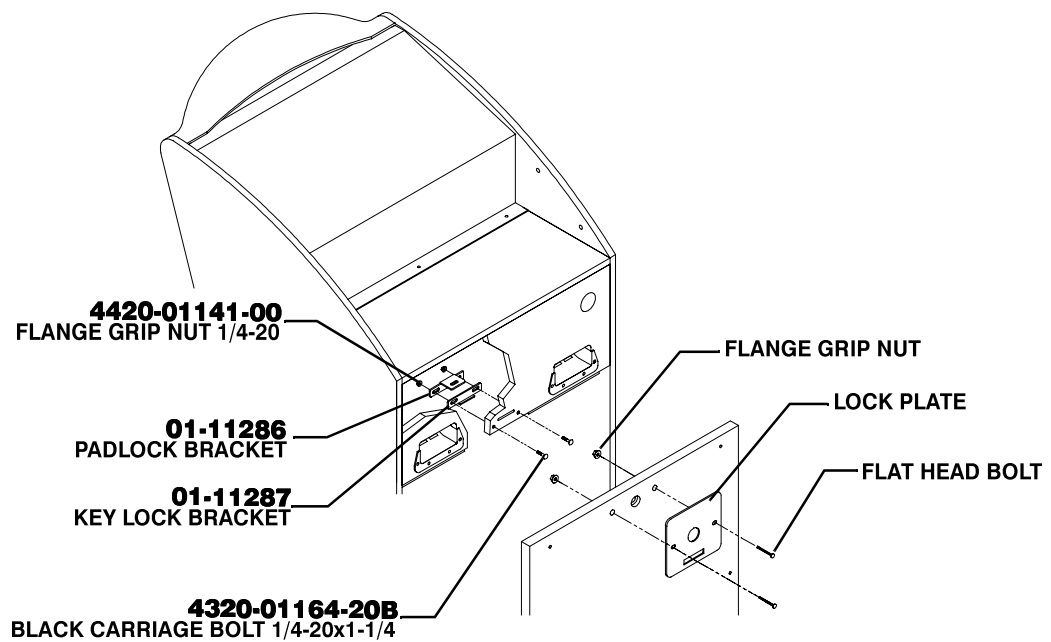
CABINET REAR VIEW



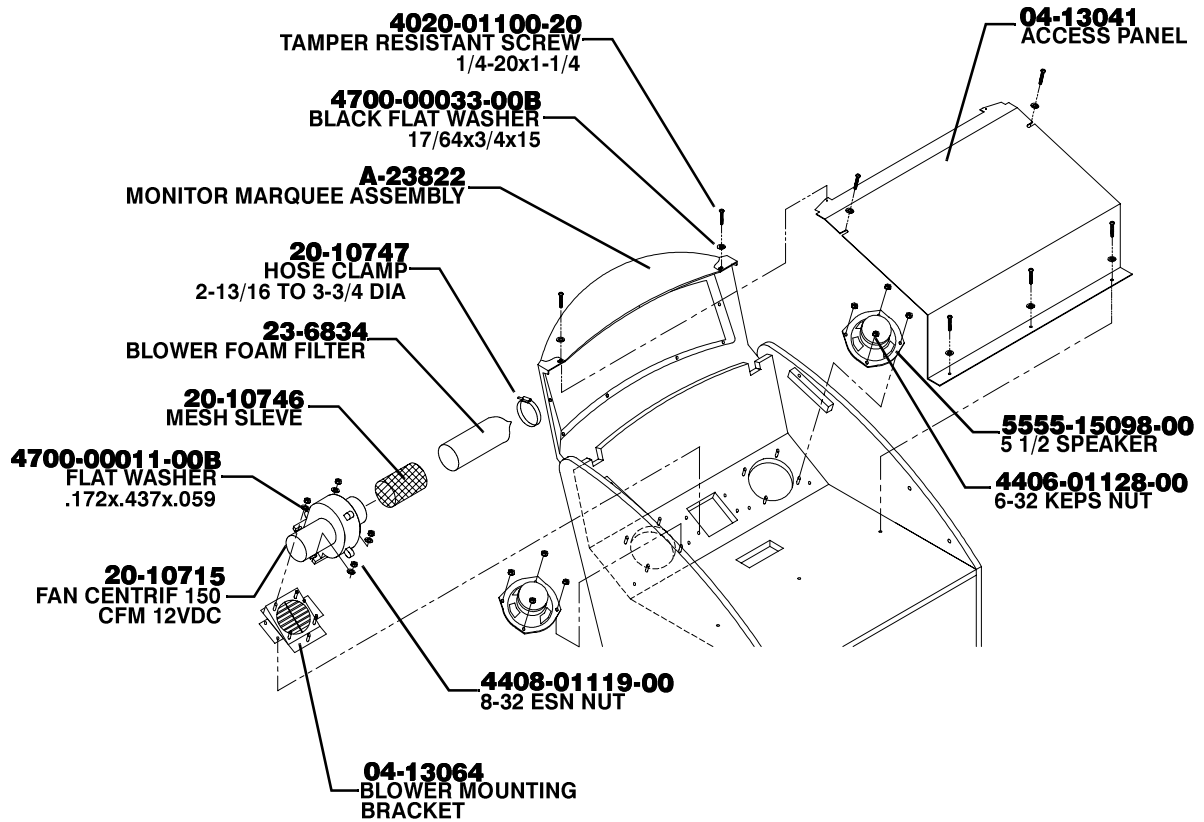
REAR DOOR ASSEMBLY (A-23817)



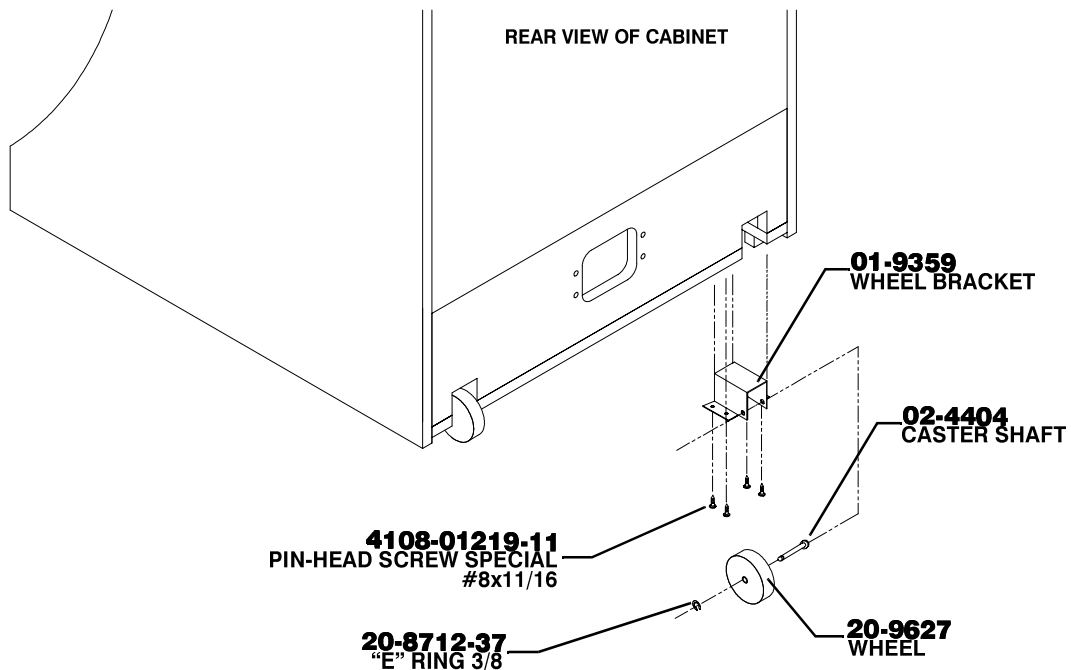
REAR DOOR LOCK ASSEMBLY



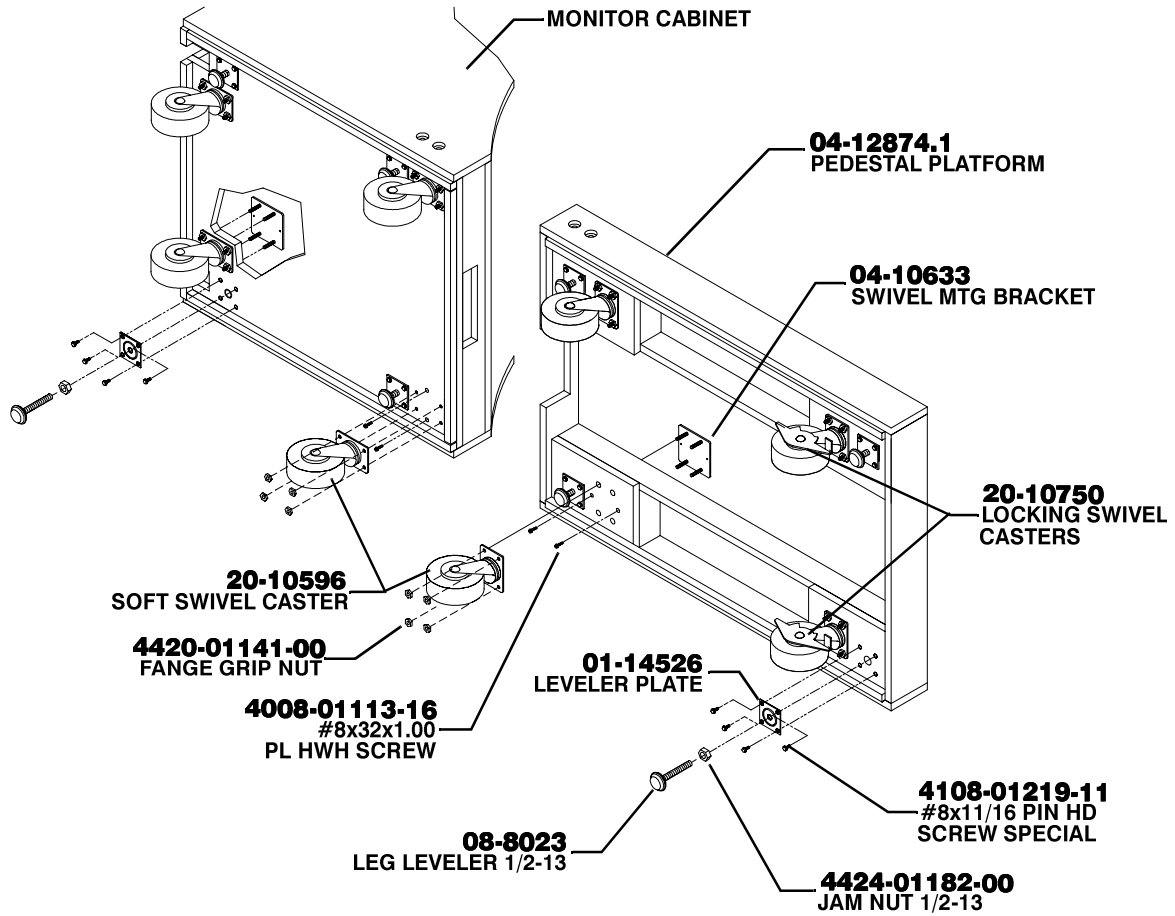
ACCESS PANEL REMOVED



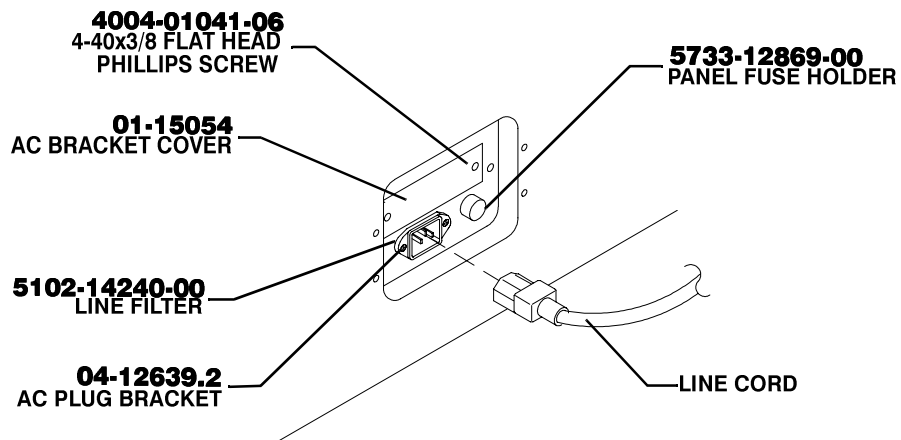
CASTERS



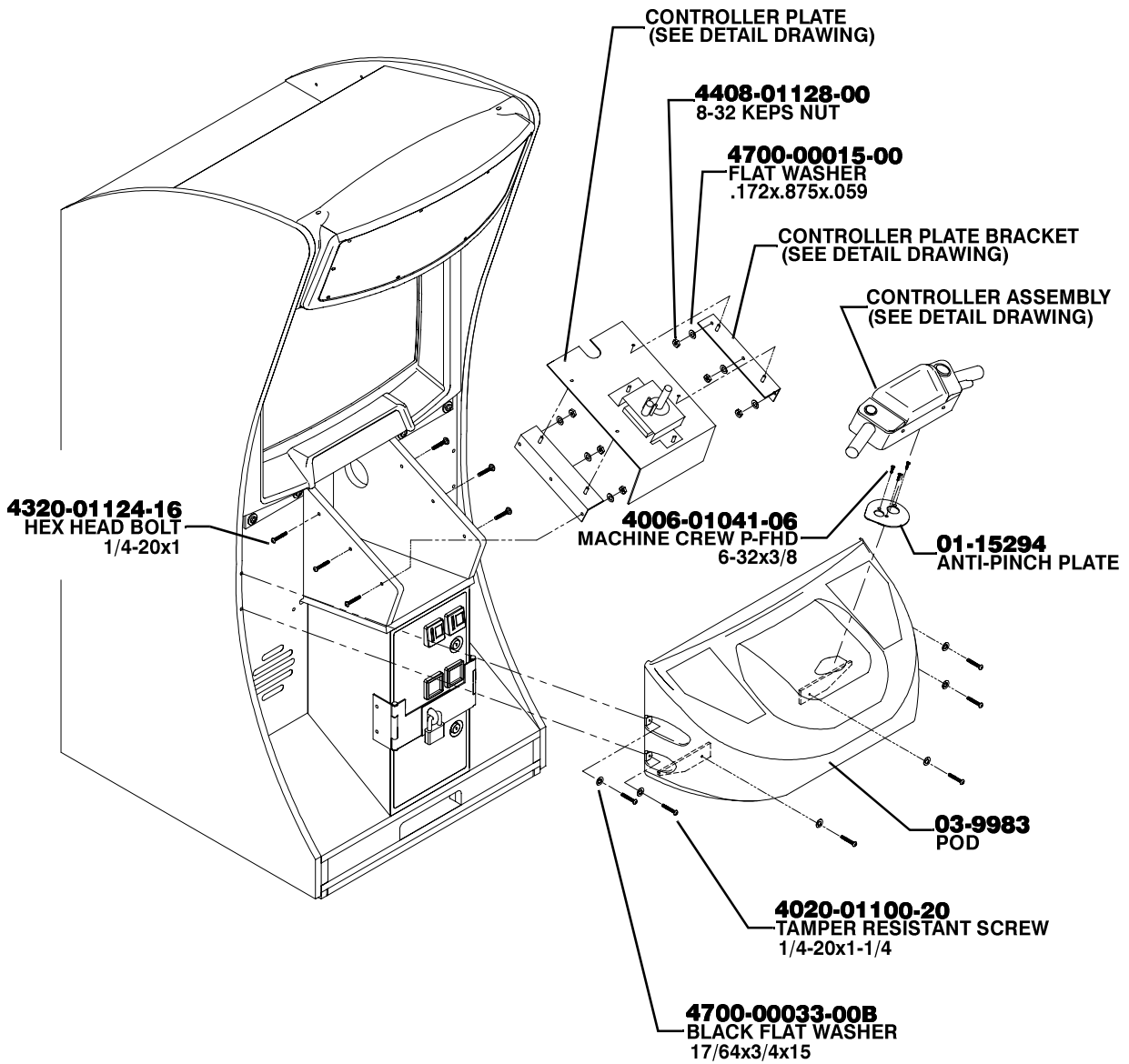
CABINET WHEELS, LEVELERS AND CASTERS



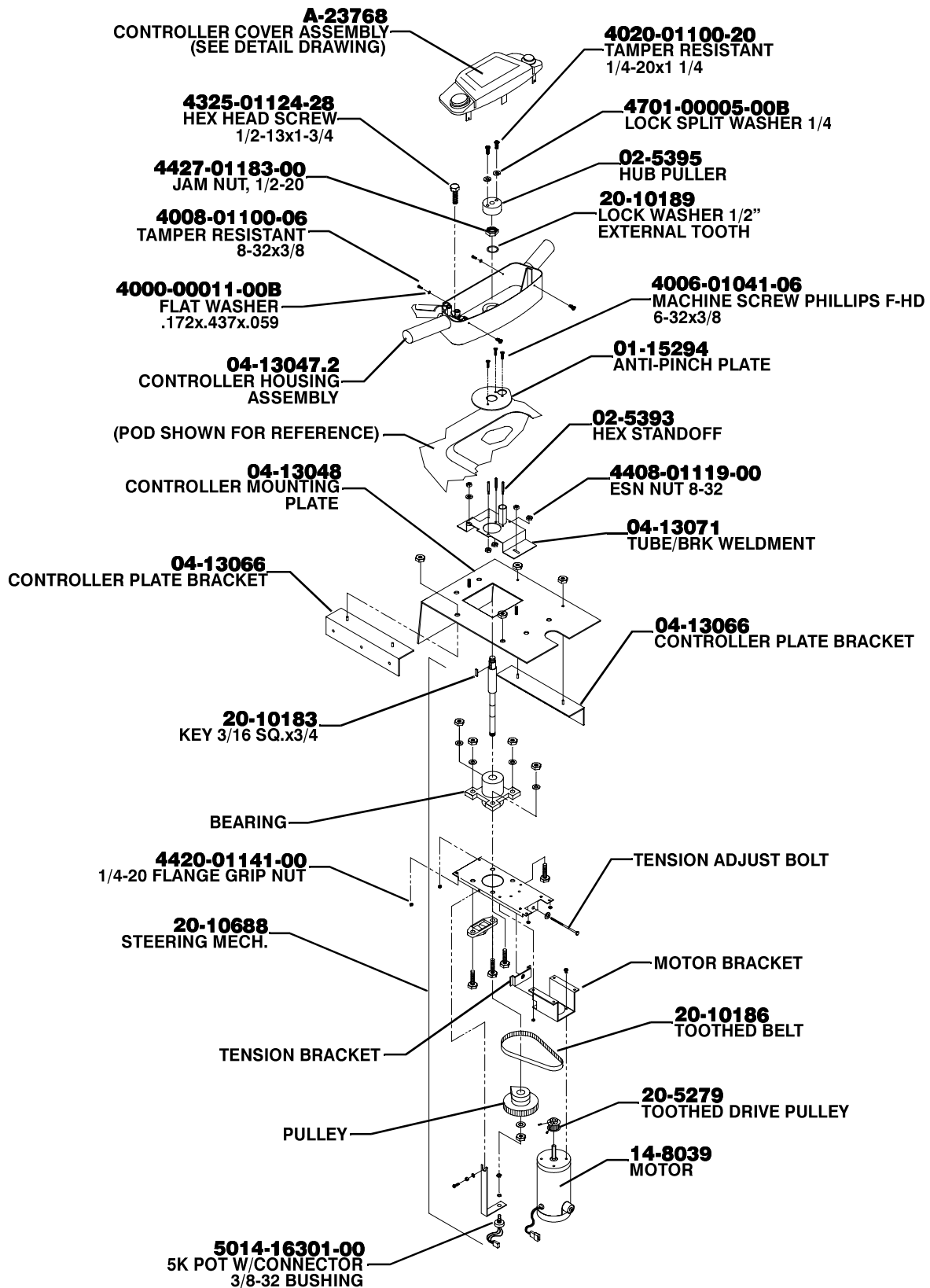
AC POWER PLUG WITH BRACKET ASSEMBLY (A-23089)



POD WITH CONTROLLER INSTALLATION



CONTROLLER AND STEERING MECHANISM ASSEMBLIES



1

2

3

4

5

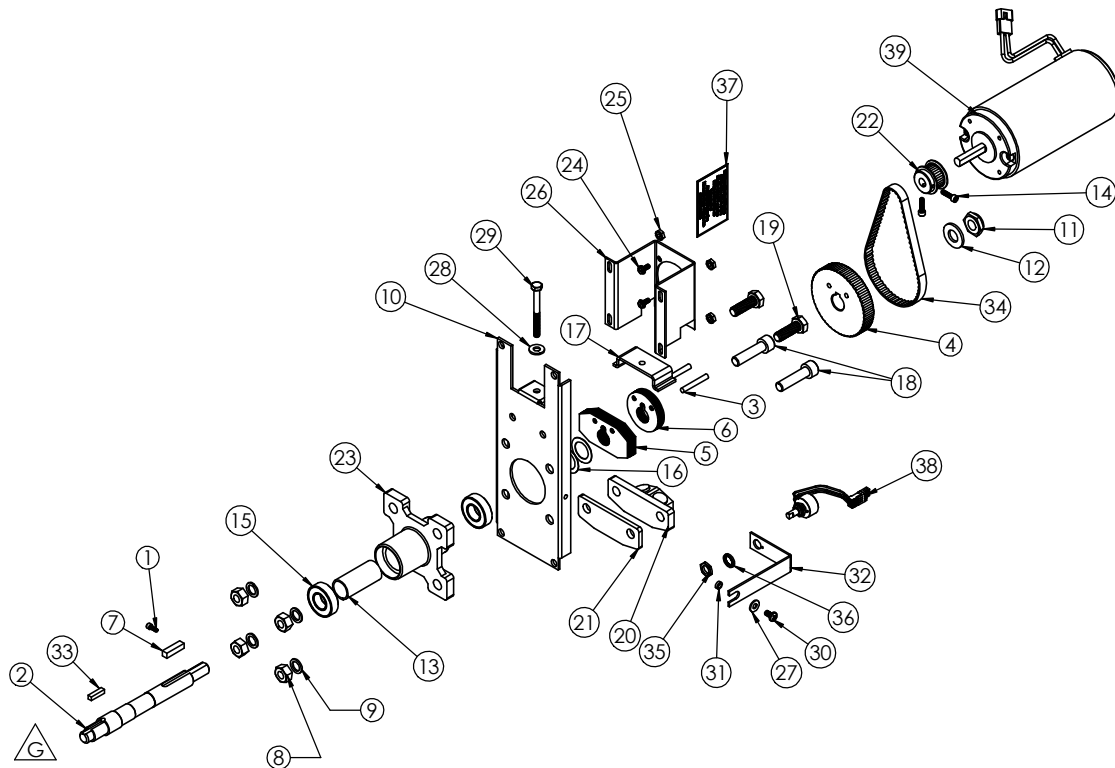
DRAWING NO.
95-0999-00EX

Reference Midway P/N 20-10688

REV.	ZONE	DESCRIPTION	E.C.N. #	BY	DATE
A	-	INITIAL RELEASE	10591	JAR	04/05/00
B		CHANGED 50-2659-00 TO 50-2787-00, 43-0577-00 TO 43-1273-00 & 50-4018-00 TO 50-2791-00	10758	JAR	05/02/00
C		CHANGED 43-0978-00 TO 43-1291-00	11170	JAR	07/18/00
D		DELETED 43-0340-00, CHANGED QTY FROM (2) TO (1) 43-0232-00 & ADDED 50-2511-00	12193	JAR	10/25/00
E		DELETED 50-2670-00 QTY 1 SK POT, 50-4042-10 QTY1 HARNESS FOR POT AND ADDED 96-4916-02 1 POT AND HARNESS	13411	SAG	03/13/01
F		DELETED 96-4916-00 QTY 1 AND ADD 95-2163-00 QTY 1	18847	SAG	4/18/03
G		REPLACED MOTOR W/50-4013-00 QTY 1	23549	SAG	6/9/06

ITEM NO.	QTY.	PART NO.	DESCRIPTION
1	1	43-1170-00	SCREW, #6-32 x 3/8" SHCS
2	1	95-1201-00	MAIN HANDLEBAR SHAFT
3	2	50-0067-00	DOWEL PIN, 5MM DIA X 36 MM
4	1	50-4031-10	PULLEY LARGE ALUMINUM
5	8	95-1205-00	LAMINATED 90 DEG STOP PLATES
6	6	95-1206-00	LAMINATED CAM PLATES F/MIDWAY
7	1	43-1201-00	KEY SHAFT 1/4" X 1/4" X .984
8	4	43-0035-00	NUT HEX M10
9	4	43-0034-00	LOCKWASHER M10 RIBBED
10	1	50-4016-00	WHEEL MTG. BRACKET
11	1	43-0232-00	NUT, HEX NYLOCK 1/2-20
12	1	43-0055-00	WASHER, FLAT 1/2 SAE
13	1	50-2787-00	BEARING SPACER F/SNOWMOBILE C.
14	2	43-1059-00	SCREW, #8-32 x 5/8" SHCS
15	2	50-8130-01	BEARING BALL .67 ID X 1.375 OD X .395
16	2	43-1273-00	SPACER SHIM
17	1	50-2545-00	BRACKET, BELT TENSIONER
18	2	43-1291-00	SCREW, M10 X 40MM L. SOCKET HD CP SCW
19	2	43-0117-00	HEX HD CAP SCREW M10x30,GR 8.8
20	1	50-8145-00	DIE CAST WHEEL STOP, W/BUMPERS
21	1	95-1202-00	DIE CAST STOP SPACER FOR
22	1	50-4040-00	PULLEY, 16T, ALUMINUM
23	1	50-8129-10	BEARING HOUSING FOR SNOWMOBILE
24	4	43-0188-00	SCREW, #8-32 x 3/8" HEX WASHER HD
25	4	42-0093-00	NUT, 10-32 HEX SEMS, ZINC PLTD
26	1	50-8455-00	MOTOR MTG. BRACKET
27	1	43-0995-00	#10 FLAT WASHER
28	1	90-1208-00	FLAT WASHER, 1/4 I.D.
29	1	43-0576-00	SCREW, M6 x 60MM HHCS
30	1	43-0184-00	SCREW, #10-32 x 3/8" PHPNHD
31	1	50-4032-00	SPACER, POT MTG. BRACKET
32	1	50-2791-00	POT. MTG. BRACKET
33	1	43-0305-00	KEY, 3/16 SQ. X .74
34	1	50-4041-00	TIMING BELT, BLACK 3/8" WIDE
35	1	43-0014-00	HEX NUT 3/8"-24 X 3/32 THK
36	1	43-0018-00	LOCKWASHER, INT. 3/8" x 9/16"
37	1	50-2511-00	ATARI GAMES PATENT DECAL
38	1	95-2163-00	POT SK ETI & HARNESS ASSY WITH NUT, WSHR, SHRINK TUB F/WHEEL
39	1	50-4013-00	MOTOR & CONNECTOR ASSY

△ B
△ B
△ C
△ B
△ B
△ D
△ E
△ F
△ G



NOTE:
ITEM NOT SHOWN, TIE WRAP 90-1013-00

TOLERANCES ARE:
FRACTIONS DECIMALS ANGLES
± 1/32 XX ± .01 ± 0°30'
XXX ± .005
UNLESS OTHERWISE SPECIFIED,
DIMENSIONS ARE IN INCHES.

DO NOT SCALE DRAWING.

THIS PRINT IS THE PROPERTY OF HAPP CONTROLS INC.
AND SHALL NOT BE REPRODUCED, COPIED NOR DISCLOSED
TO OTHERS. PRINT TO BE RETURNED UPON REQUEST.

HAPP CONTROLS, inc.
Manufacturer of Electronic Controls

DRAWING NAME: STEERING MECH FOR MIDWAY SNOWMOBILE CONTROL

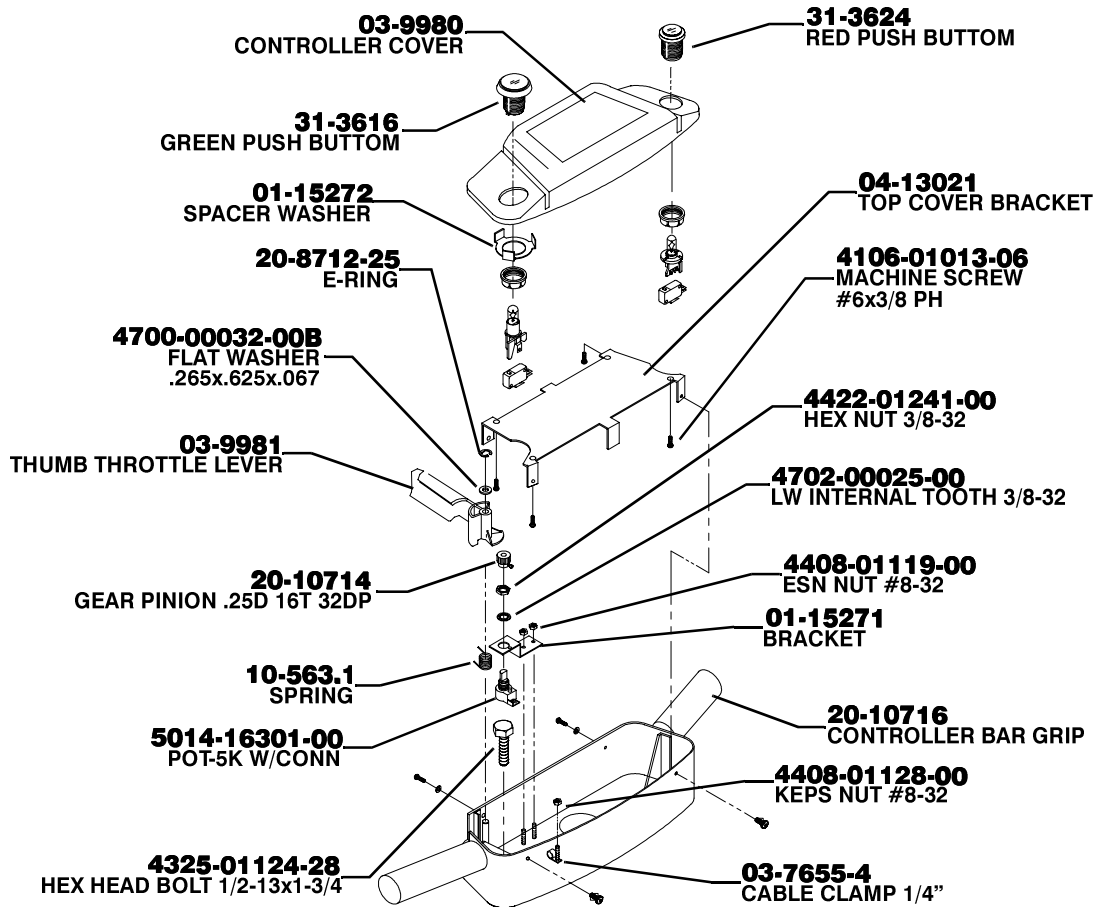
DRAWN BY: JAR DATE: 04/05/00 CHECKED BY: DATE:

SCALE: 1 : 5 DRAWING NO: 95-0999-00EX REV: G

SHEET: 1 of 1

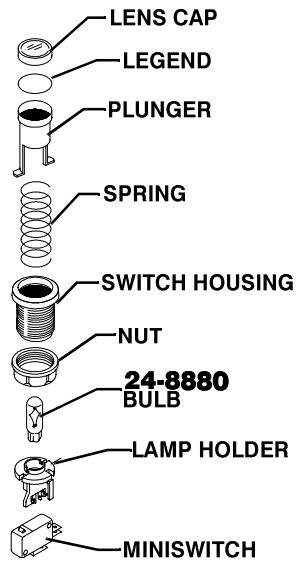
Reference Midway P/N 20-10688

CONTROLLER AND COVER ASSEMBLIES

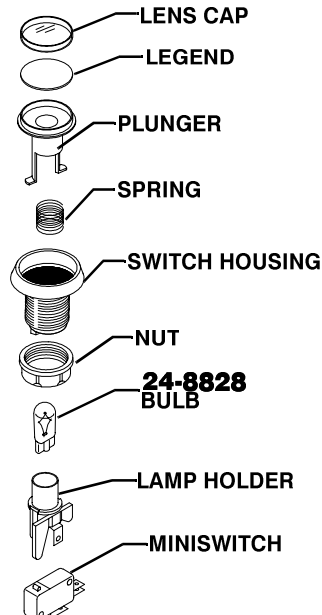


PUSHBUTTONS ASSEMBLIES

31-3624 (ACTION) RED



31-3616 (START) GREEN

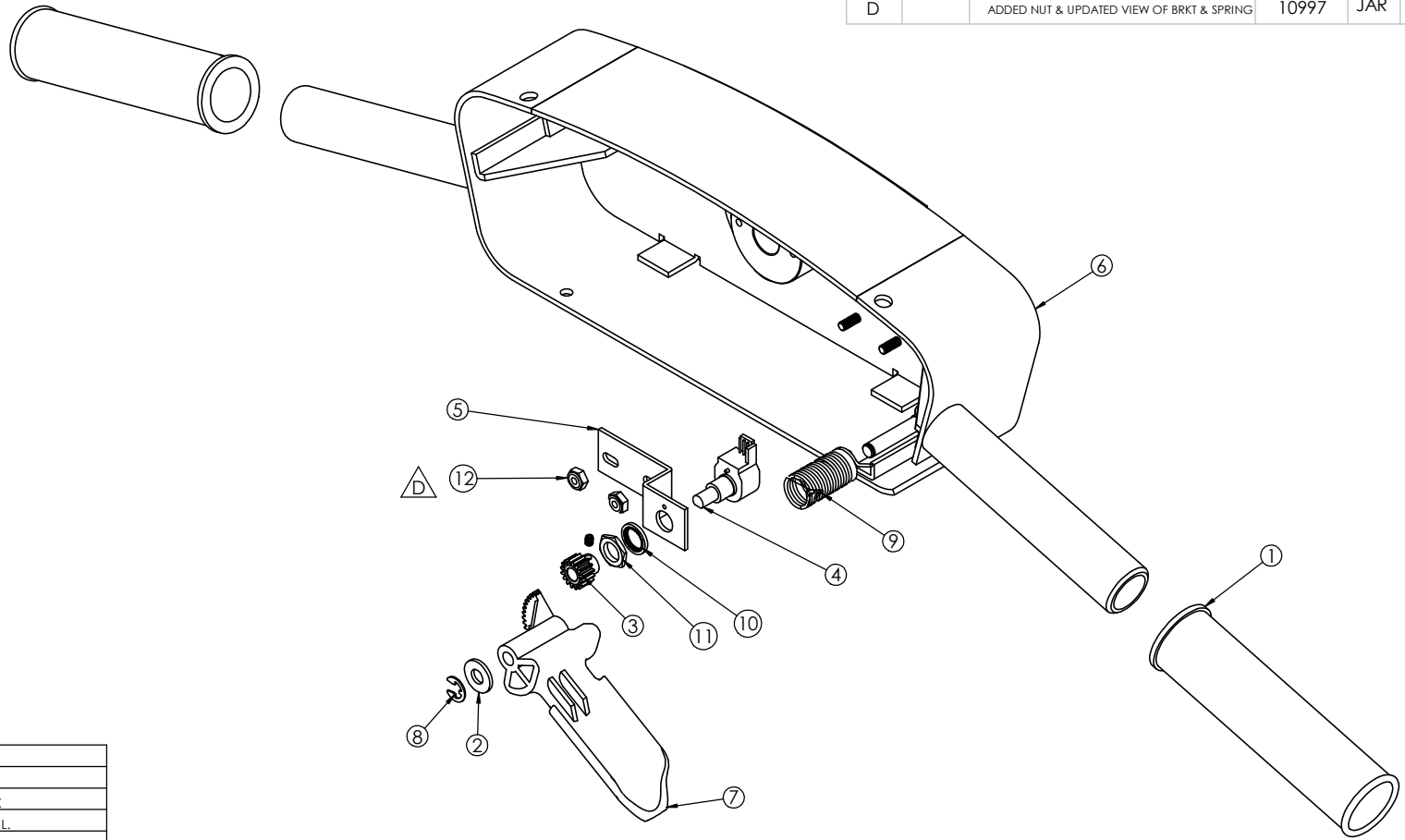


DRAWING NO.

95-1219-00EX

Reference Midway P/N 04-13047.2

REV.	ZONE	DESCRIPTION	E.C.N.#	BY	DATE
A	-	INITIAL RELEASE	10311	JAR	02/21/00
B		CREATE NEW ASSEMBLY PER CUSTOMER	10589	JAR	04/05/00
C		DELETED HARNESS	10760	JAR	05/03/00
D		ADDED NUT & UPDATED VIEW OF BRKT & SPRING	10997	JAR	06/12/00



ITEM NO.	QTY.	PART NO.	DESCRIPTION
1	2	95-1457-00	HANDLE GRIP
2	1	43-1251-00	1/4 SAE FLAT WASHER BLK OX
3	1	96-4917-00	GEAR 32DP 1.6T .25" BORE .5" L.
4	1	50-2670-00	5K POT, NEI "SENSORCUBE"
5	1	95-1215-00	THUMB THROTTLE POT BRACKET
6	1	95-1211-00	MAIN HANDLEBAR BASE F/MIDWAY
7	1	95-1209-00	THUMB THROTTLE FOR MIDWAY
8	1	43-0118-00	E-RING, 1/4" SHAFT DIA
9	1	95-1472-00	SPRING TORSION
10	1	43-0018-00	LOCKWASHER, INT. 3/8" x 9/16"
11	1	43-0014-00	HEX NUT 3/8"-24 X 3/32 THK
12	2	43-0211-00	NUT, 8-32 NYLOK



TOLERANCES ARE:
 FRACTIONS DECIMALS ANGLES
 ± 1/32 XX ± .01 ± 0°30'
 XXX ± .005
 UNLESS OTHERWISE SPECIFIED,
 DIMENSIONS ARE IN INCHES.

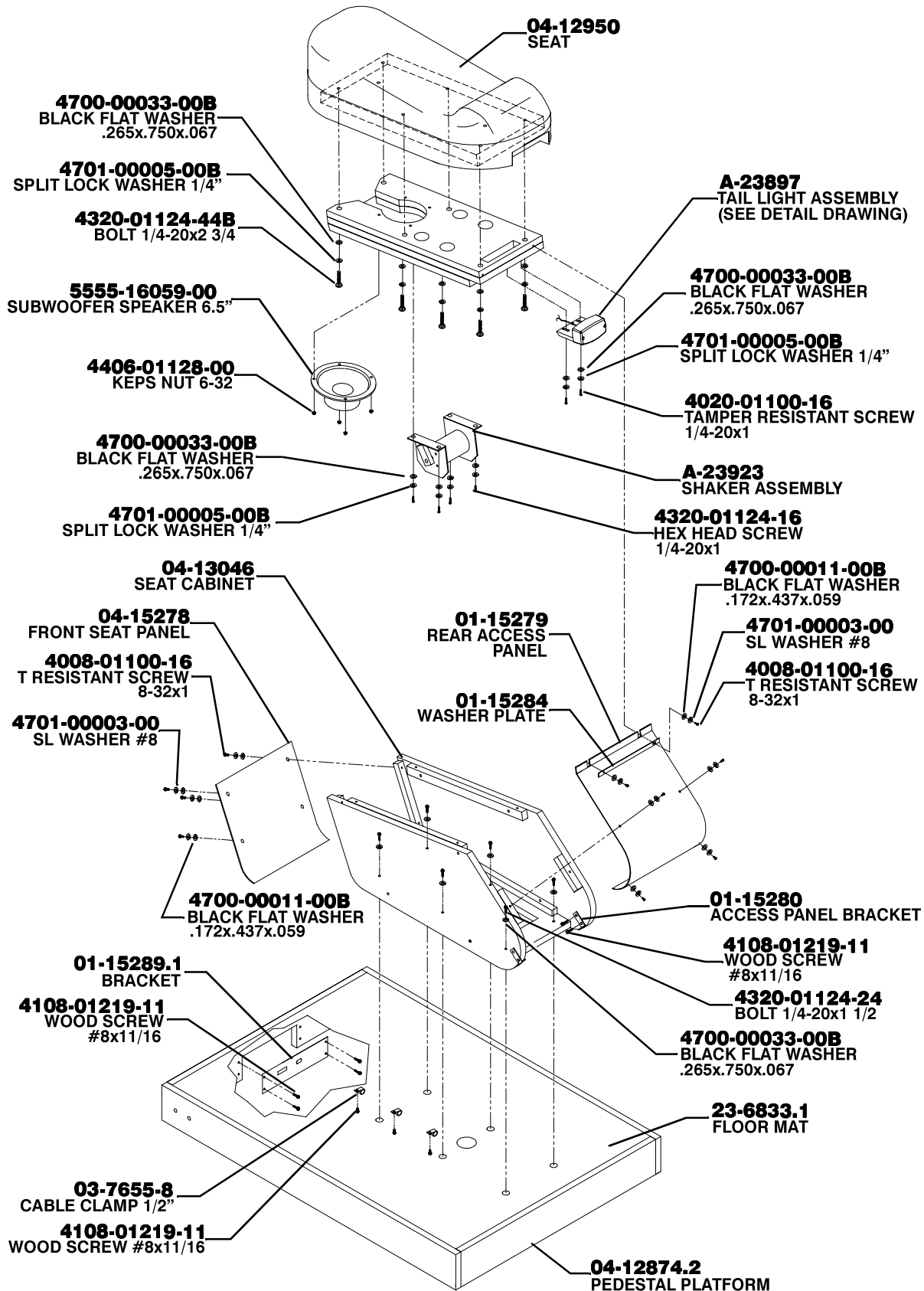
DO NOT SCALE DRAWING.

THIS PRINT IS THE PROPERTY OF HAPP CONTROLS INC.
 AND SHALL NOT BE REPRODUCED, COPIED NOR DISCLOSED
 TO OTHERS. PRINT TO BE RETURNED UPON REQUEST.

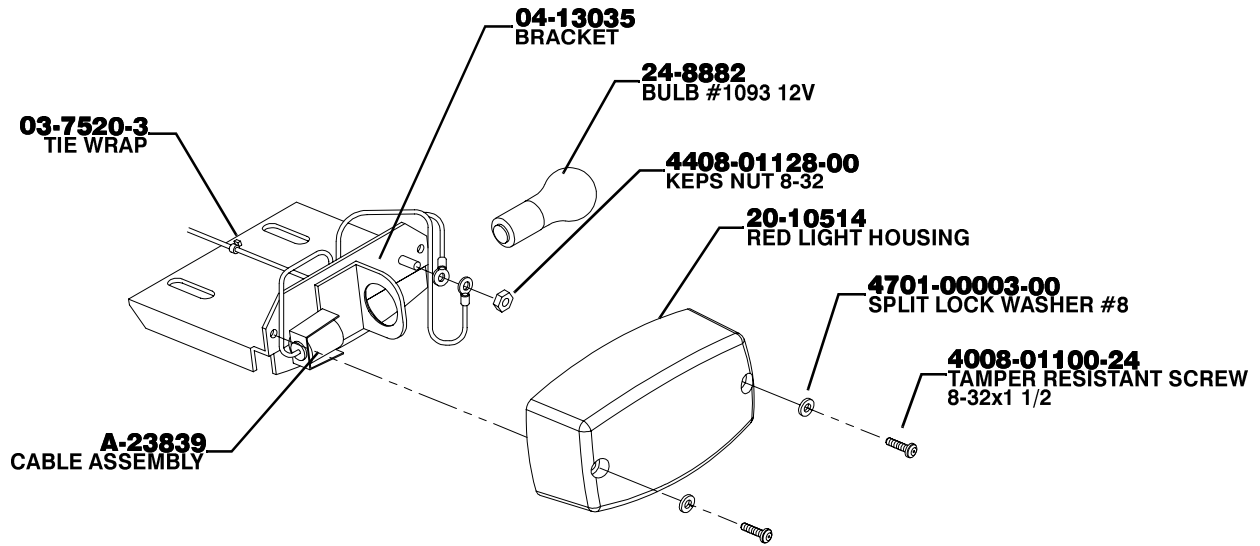
HAPP CONTROLS, inc. Manufacturer of Electronic Controls					
DRAWING NAME SNOWMOBILE CONTROL ASSY FOR MIDWAY					
DRAWN BY	JAR	DATE	02/21/00	CHECKED BY	DATE
SIZE	SCALE	DRAWING NO.		REV.	
B	1 : 2	95-1219-00EX		D	
	1 of 1				

Reference Midway P/N 04-13047.2

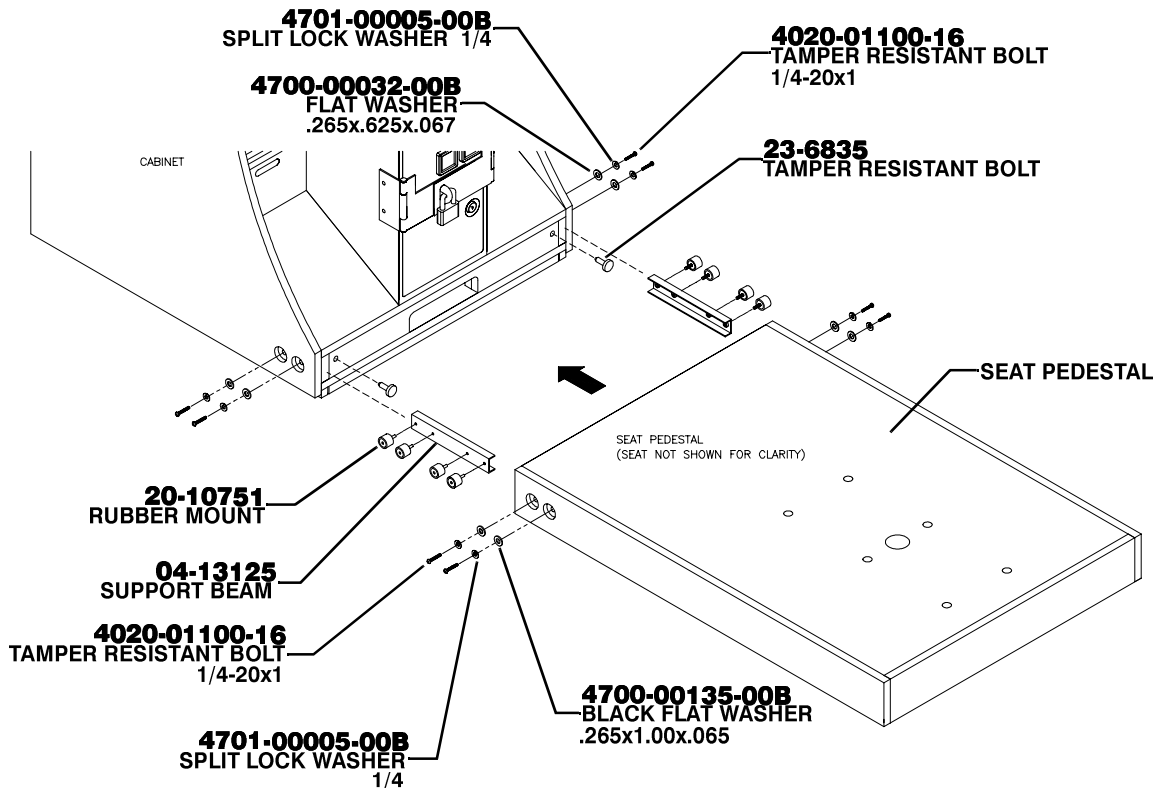
SEAT AND PEDESTAL ASSEMBLY A-23775



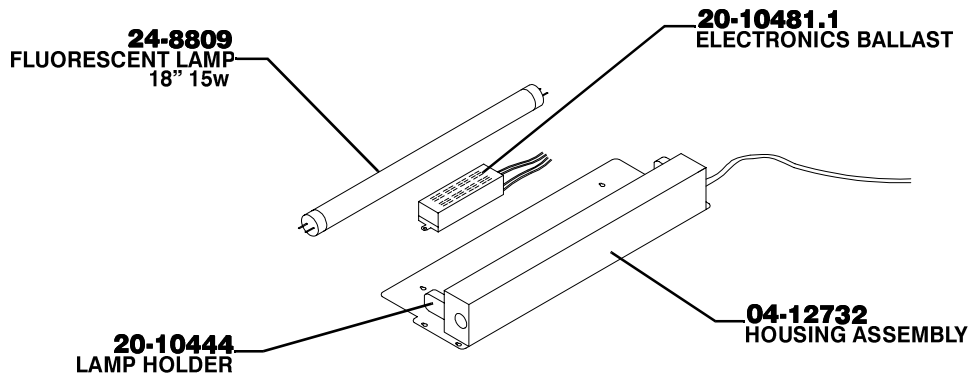
TAIL LIGHT ASSEMBLY (A-23897)



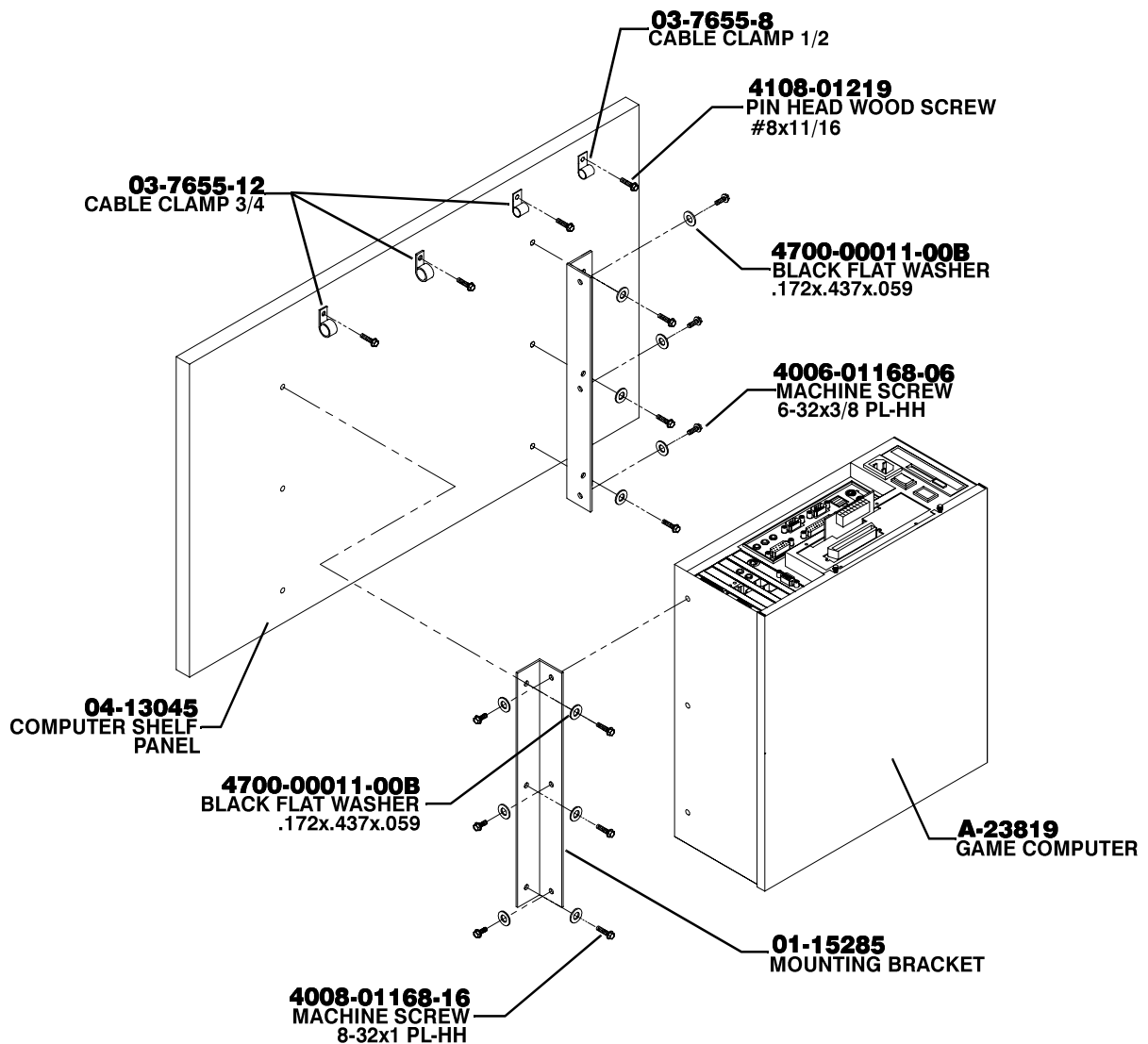
SUPPORT BEAM ASSEMBLY



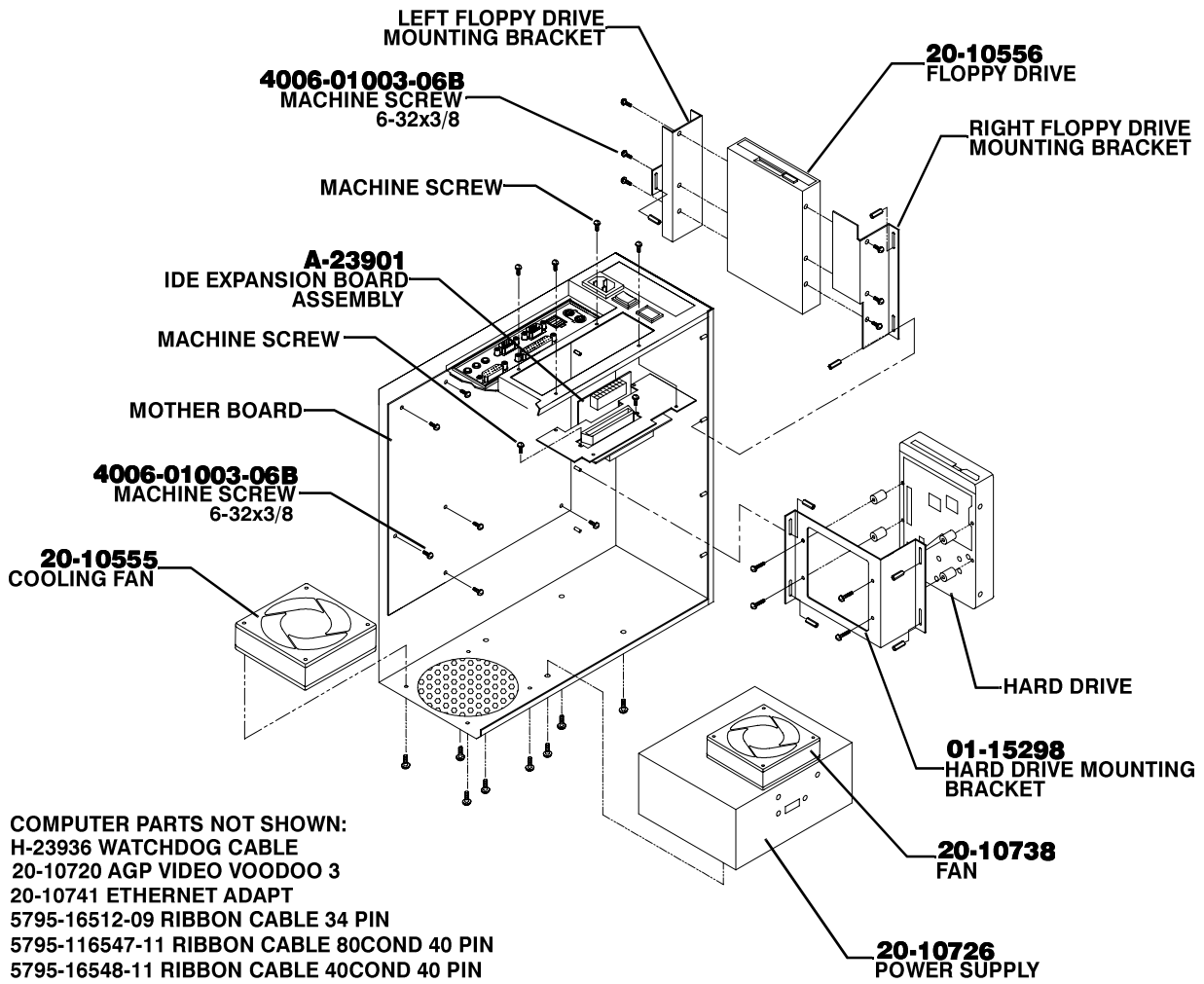
FLUORESCENT LAMP ASSEMBLY A-23252



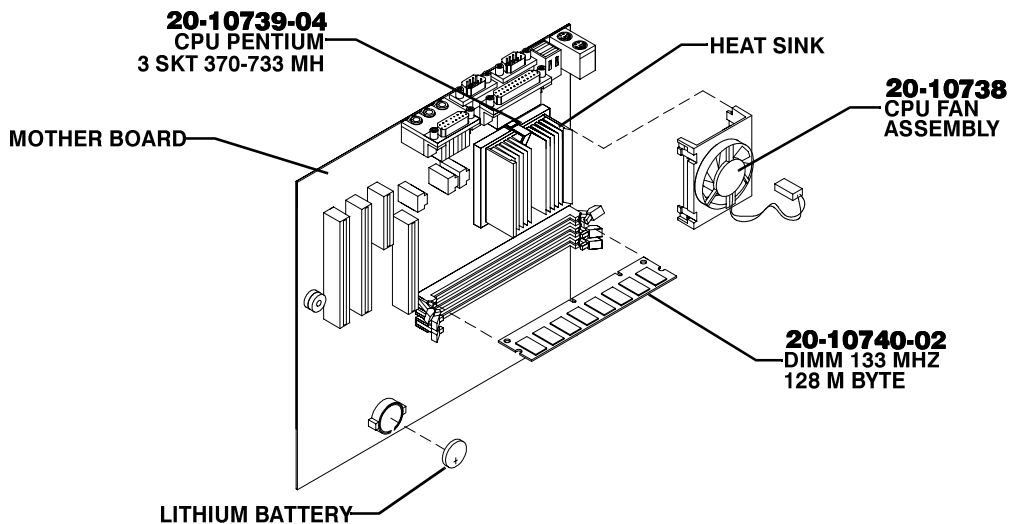
COMPUTER MOUNTING ASSEMBLY A-23818



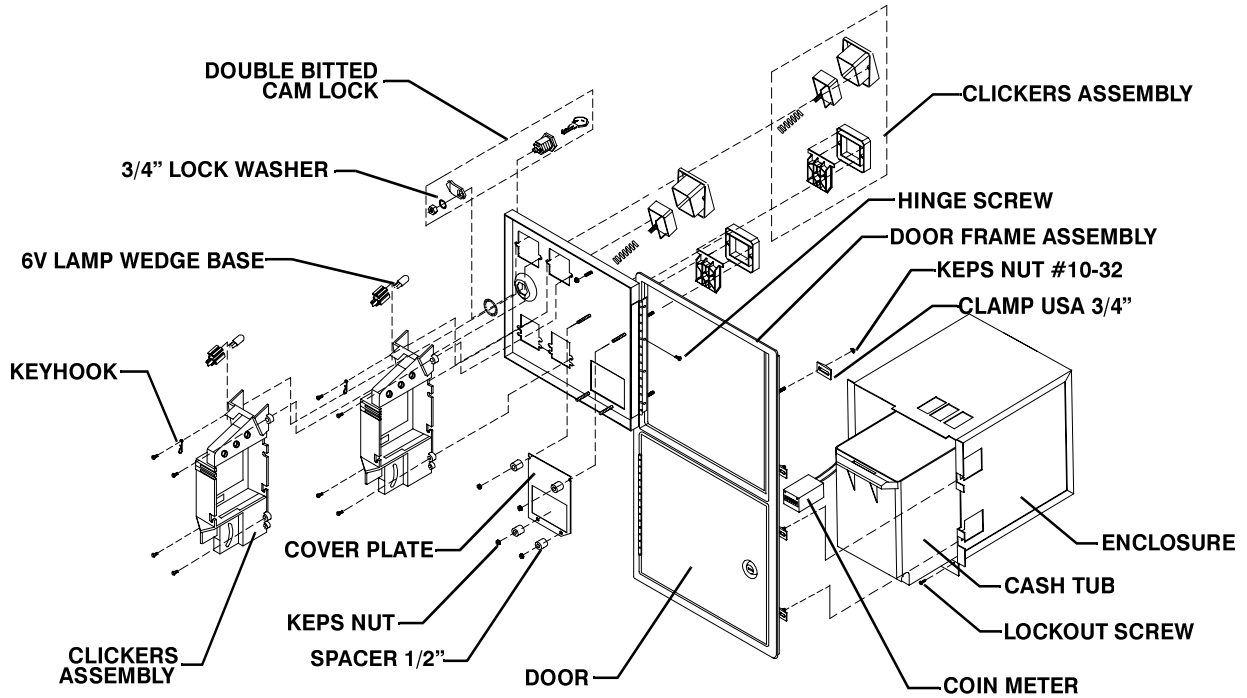
COMPUTER ASSEMBLY A-23818



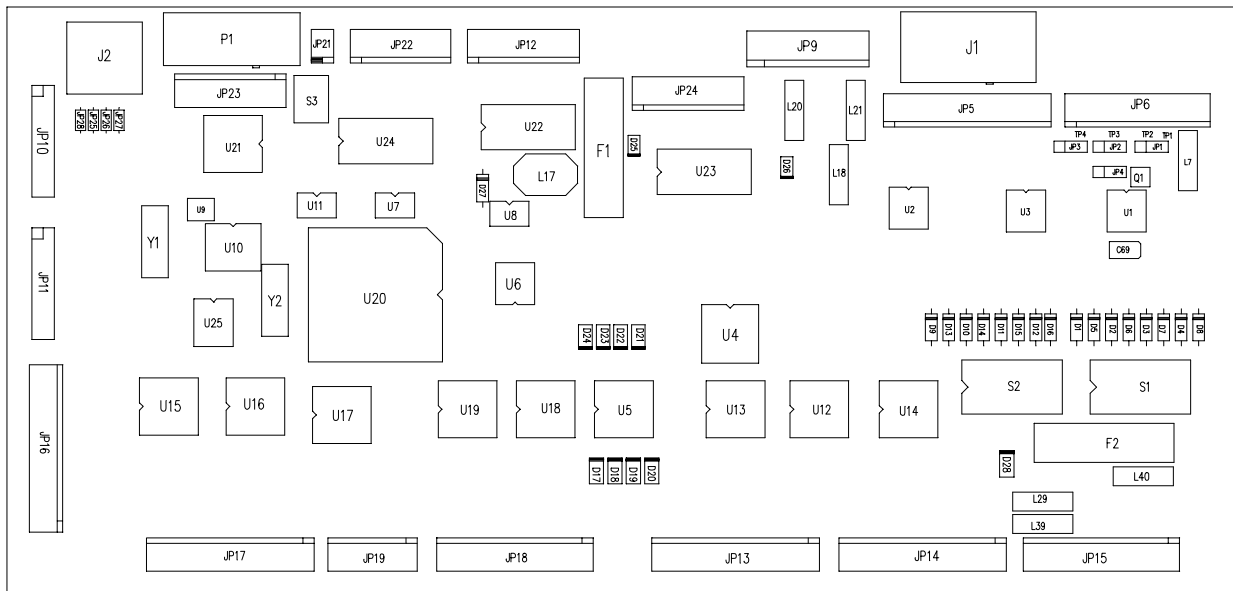
ARCTIC MOTHER BOARD



COIN DOOR ASSEMBLY

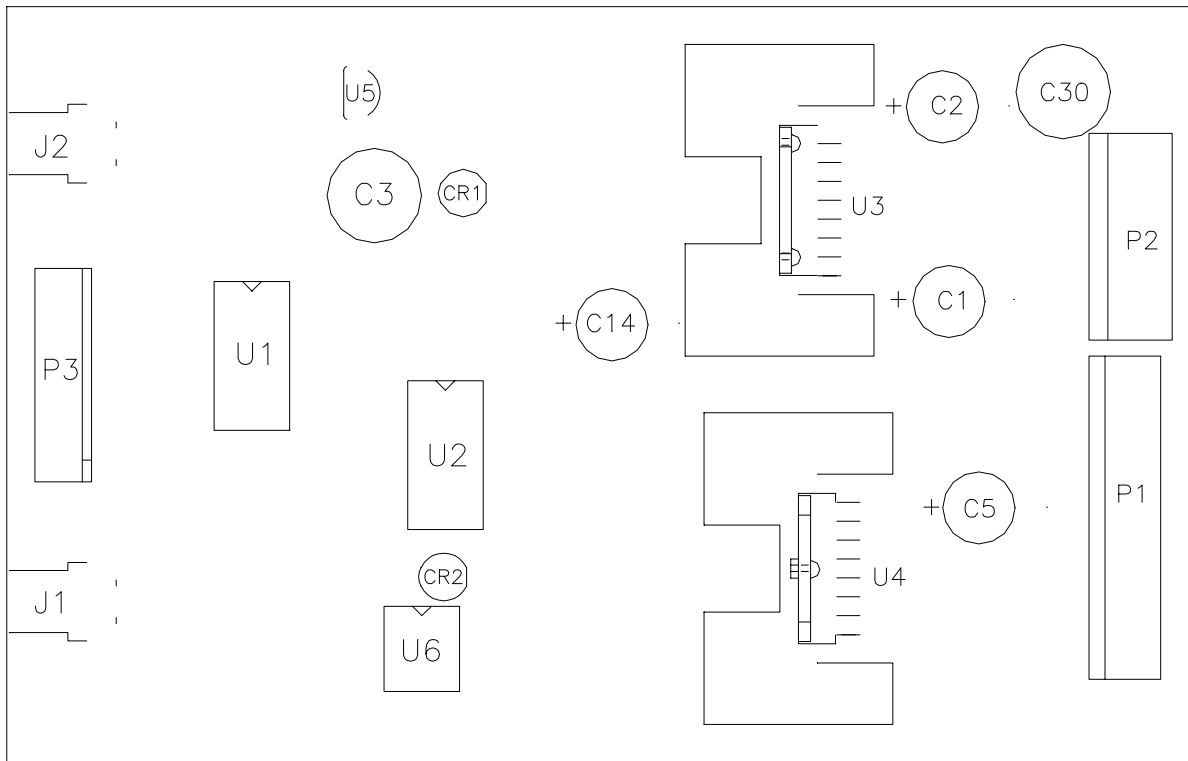


SUBSTITUTE BOARD 04-12840.1



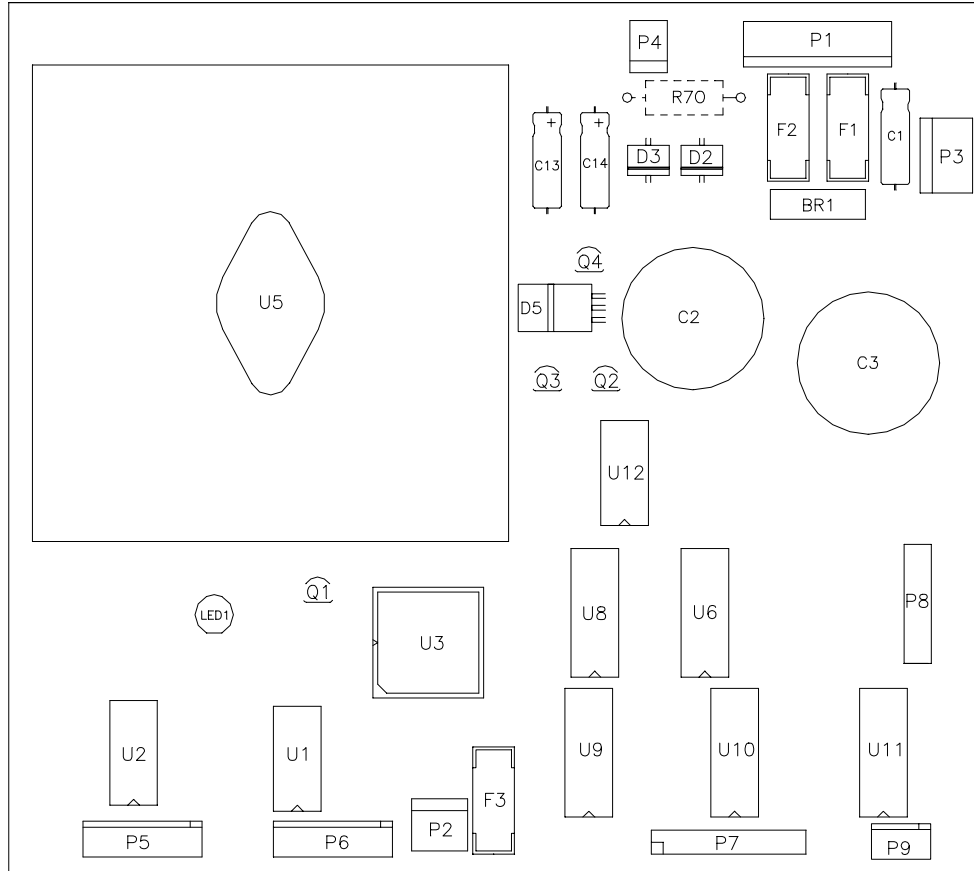
Field Replaceable Parts

DESIGNATION	PART NUMBER	FUNCTION	DESCRIPTION
D1 through D16	5070-16229-00	Diode	1N270
D27	5070-09266-00	Diode	1N817
F1, F2	5735-13853-00	Fuse	2A SB
Q5, Q6	5160-14035-00	Transistor	2N3904

BB12 AUDIO AMPLIFIER BOARD ASSEMBLY 04-12529.1**Field Replaceable Parts**

DESIGNATION	PART NUMBER	FUNCTION	DESCRIPTION
U1-U2	5370-15163-00	Audio Amplifier	LM3403 Quad Amplifier
U3	5370-15984-00	Audio Output	TDA1560Q Power Amplifier
U4	5370-15833-00	Audio Output	TDA7375 Power Amplifier
U5	5370-13302-00	Voltage Regulator	+5VDC, 5% Fixed Regulator
U6	--	None	Not required in this game

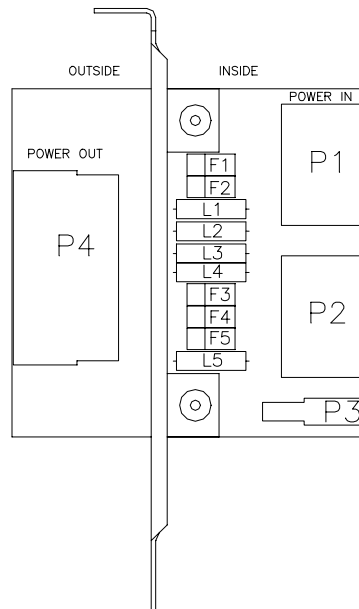
WHEEL DRIVER BOARD ASSEMBLY 04-12770.1



Field Replaceable Parts

DESIGNATION	PART NUMBER	FUNCTION	DESCRIPTION
Q1	5162-08976-00	Darlington	2N6427
Q2	5250-15624-00	Voltage regulator	78L15
Q3	5250-15625-00	Voltage regulator	79L15
D2, D3	5070-16272-00	Diode	Fast Fe6B-35ns
D5	5070-15115-00	Diode	MUR1605
F1, F2	5731-14094-00	Fuse	4ASB, 125V, 5x20mm
F3	5731-15627-00	Fuse	.63A FB
U5	5370-14069-00	Driver Power	LM12 Op Amplifier
BR1	5100-13945-01	Rectifier Bridge	100V, 6A, SIP
U1, U2	5370-12602-00	Pre-Driver	ULN2064B IC

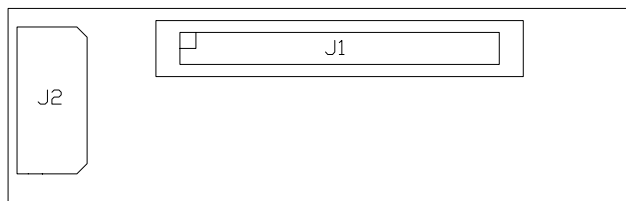
POWER HYDRO FILTER BOARD ASSEMBLY 04-12651-1



Field Replaceable Parts

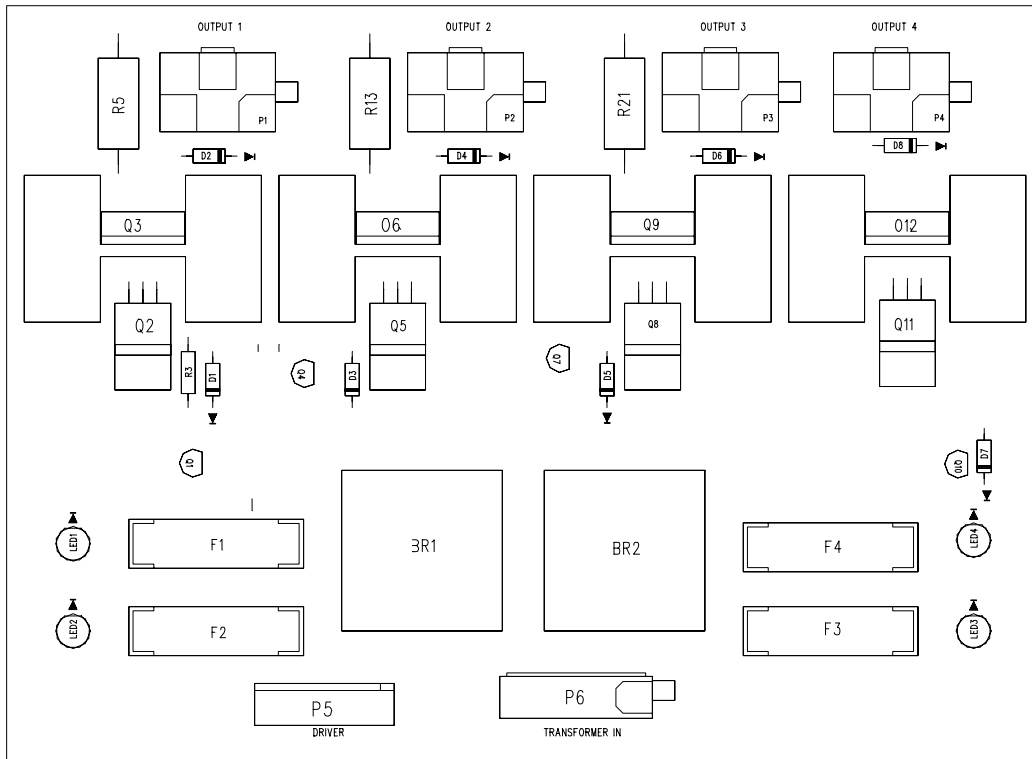
DESIGNATION	PART NUMBER	FUNCTION	DESCRIPTION
F1 through F5	5060-15633-00	EMI Filter	2200 pF Dual Capacitor
L1 through L5	5556-14181-00	EMI Filter	Ferrite Bead Inductor

IDE EXPANSION FILTER BOARD 04-12826



No Field Replaceable Parts

QUAD HIGH CURRENT DRIVER BOARD 04-13068.2



Field Replaceable Parts

DESIGNATION	PART NUMBER	FUNCTION	DESCRIPTION
Q3, Q6, Q12	5191-12179-00	Transistor	TIP 36C
Q2, Q5, Q11	5162-12635-00	Transistor	TIP 102
D1, D2, D3, D4, D7, D8	5070-09054-00	Diode	1N4004
F1	5731-16560-00	Fuse	10A 250V 5x20MM
F2	5731-14046-00	Fuse	5A 250V 5x20MM
F4	5735-13853-00	Fuse	2A 250V 5X20MM
BR1, BR2	5100-09690-00	Retifier Bridge	35A RECT200V

SUPPLEMENTARY PARTS

Bulbs, Filters and Fuses	Part Number
Bulb #555 6.3V, 0.25A	24-8768
Bulb #1093 12v	24-8882
Bulb #161	24-8840
Fuse, sb 5A 250v	5731-09651-00
Fuse sb 4A 5X20mm	5731-14094-00
Fuse .63A 250V sb 5X20mm	5731-15627-00
Fuse 5X20mm 2A slow blow	5735-13853-00
Fuse sb t5a 5X20mm	5731-14046-00
Fuse 5X20, s/b10a 250v	5731-14229-00
Fuse sb 3A 250v	5731-10356-00
Fuse block 2X3ag 1/4 term	5733-15139-00
Ferrite Bead, 1 1/4 SQ	5556-13956-00
Cables	Part Number
Linking Cable, 10 Base-T 16FT	5797-15276-00
IDC Cable ac ki2	H-20353
Line Voltage Cable	H-23827
Control Panel Cable	H-23829
Main Harness	H-23828.4
Tail light cable	H-23840
Woofers speaker cable	H-23575.1
Seat Woofer cable	H-23854.1
Sound cable bb12	H-23929
Noise Filter Cable	H-23976
Ground Braid w/terminal 1/4	H-22327-32
Ground Braid w/ring 1/4x8	H-23327-84
Ground Braid w/ring term 1/4x7	H-23327-77
Ribbon cable w/ferrite	04-10652-09
Documentation	
Game Operation Manual	16-40089-101
Product Registration Card	16-10650
Kit, Spare Parts	Part Number
Pad lock bracket	01-11286
Connector brkt assembly	A-23938
#8x1 1/2 Tamper resistant screw	4108-01160-24B
1/4 Split lock washer	4701-00005-00B
1/4-20x1 Tamper resistant bh screw	4020-01100-16
.265x.625x.067 Black flat washer	4700-00032-00B
.265x1.00x.067 Black flat washer	4700-00135-00B
10 Base-T Coupler	5796-15262-00
Tamper resistant long arm key T20	20-9620
Tamper resistant long arm key T15	20-9680
Rubber bumper	23-6835

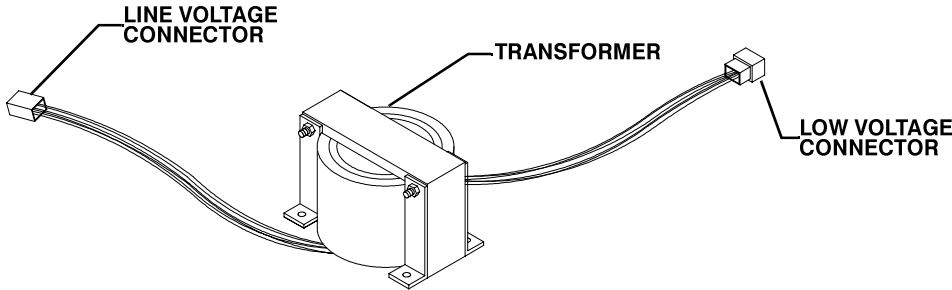
LINE CORD APPLICATION CHART

Country \ Part No.	5850-14699-00	5850-14699-01	5850-14699-02	5850-14699-03	585014699-06
USA		•			
UK				•	
Italy	•				
Japan					•
New Zealand					
Germany			•		
Spain			•		
Denmark					
Finland					
Holland					
Norway					
Switzerland					
Hungary					
Canada					
Austria					
France			•		
Australia					
Belgium					
Sweden					

COIN DOOR APPLICATION CHART

Country \ Part No.	09-96026-14	09-96026-20	09-96026-33	09-96027
USA			•	
UK				•
Italy	•			
Japan				•
New Zealand				
Germany				•
Spain		•		
Denmark				
Finland				
Holland				
Norway				
Switzerland				
Hungary				
Canada				
Austria				
France				•
Australia				
Belgium				
Sweden				

TRANSFORMER APPLICATION CHART



Part number Voltage & Country	5610-16292-00	5610-16293-00	5610-16294-00	5610-16520-00	5610-16521-00
230 VAC Australia					
230 VAC Austria					
230 VAC Belgium					
230 VAC Canada					
230 VAC Denmark					
230 VAC Finland					
230 VAC France		•			•
230 VAC Germany		•			•
230 VAC Holland					
230 VAC Hungary					
230 VAC Italy		•			•
100 VAC Japan			•		
110 VAC Japan				•	
230 VAC New Zealand					
230 VAC Norway					
230 VAC Spain		•			•
230 VAC Switzerland					
230 VAC Uk		•			•
120 VAC United States	•				
110 VAC United States				•	

NOTES